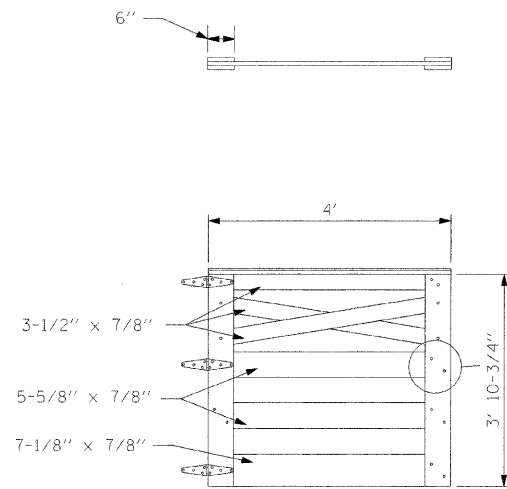
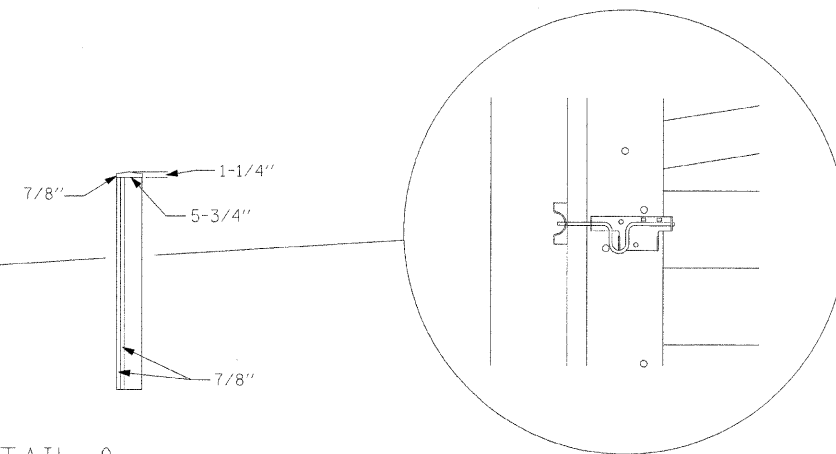


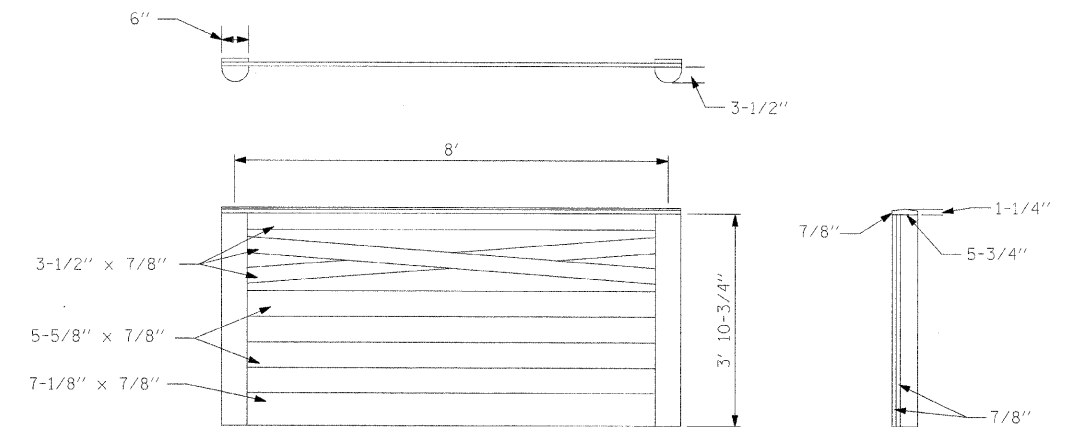
PROPOSED SIDEWALK PROFILE (SOUTH EDGE)  
NOT TO SCALE



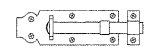
EXISTING GATE DETAIL &  
GATE SPECIAL  
NOT TO SCALE



GATE LATCH DETAIL  
NOT TO SCALE  
ON OTHER SIDE OF GATE



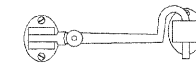
EXISTING FENCE DETAIL  
NOT TO SCALE



GATE LATCH DETAIL  
NOT TO SCALE  
WHITTINGTON COLLECTION IRON  
SLIDING BOLT, SIGNATURE HARDWARE  
OR APPROVED EQUAL



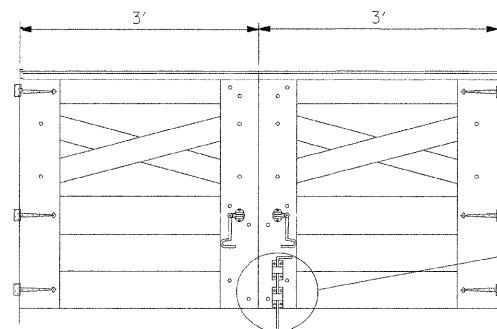
GATE HINGE DETAIL  
NOT TO SCALE  
ACORN MANUFACTURING 9" HEART  
SHAPE STRAP HINGE, SIGNATURE  
HARDWARE OR APPROVED EQUAL



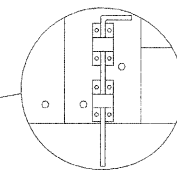
HOOK LATCH DETAIL  
NOT TO SCALE  
TO HOLD GATES IN THE OPEN POSITION  
WHITTINGTON COLLECTION SOLID  
BRONZE CABIN DOOR HOOK LATCH,  
SIGNATURE HARDWARE OR APPROVED EQUAL

\* NOTE WHITTINGTON COLLECTION IRON SLIDING BOLT SIGNATURE SERIES HARDWARE IS MOUNTED ON THE TOP AND BOTTOM OF THE VISITOR CENTER SIDE OF GATE. SEE SITE PERSONEL FOR LOCATIONS.

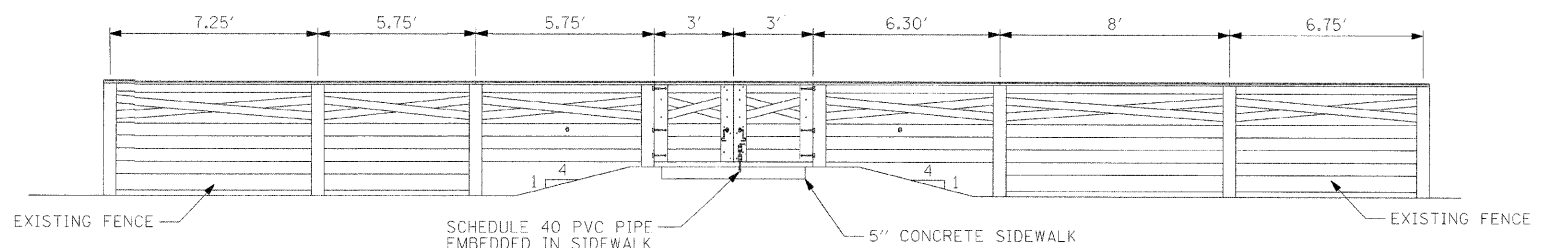
\* NOTE WHITTINGTON COLLECTION SOLID BRONZE CABIN DOOR HOOK LATCH SIGNATURE SERIES HARDWARE IS MOUNTED ON THE MIDDLE OF GATES COMPLETE (SET OF 2) ON THE VISITOR CENTER SIDE. SEE SITE PERSONEL FOR LOCATIONS.



GATES COMPLETE (SET OF 2)  
NOT TO SCALE



CANE BOLT/DROP ROD BOLT DETAIL  
NOT TO SCALE  
WHITTINGTON COLLECTION IRON  
SURFACE BOLT, SIGNATURE HARDWARE  
OR APPROVED EQUAL



PROPOSED FENCE DETAIL (VIEW FROM DAVIS AVE)  
NOT TO SCALE

FILE NAME = #FILEL#	USER NAME = #USER#	DESIGNED - R.H.D.	REVISED -	<b>STATE OF ILLINOIS DEPARTMENT OF TRANSPORTATION</b>	<b>GATE, FENCE, AND SIDEWALK DETAILS DAVID DAVIS STATE HISTORIC SITE</b>	F.A. RTE.	SECTION	COUNTY	TOTAL SHEETS	SHEET NO.	
	PLOT SCALE = #SCALE#	DRAWN - J.H.F.	REVISED -					MCLEAN	7	6	
	PLOT DATE = #DATE#	CHECKED - T.T.P.	REVISED -			SCALE: 1" = 20'		FED. ROAD DIST. NO.		ILLINOIS FED. AID PROJECT	
		DATE - 2/2/09	REVISED -			SHEET NO. 6 OF 7 SHEETS		CONTRACT NO. 46027			