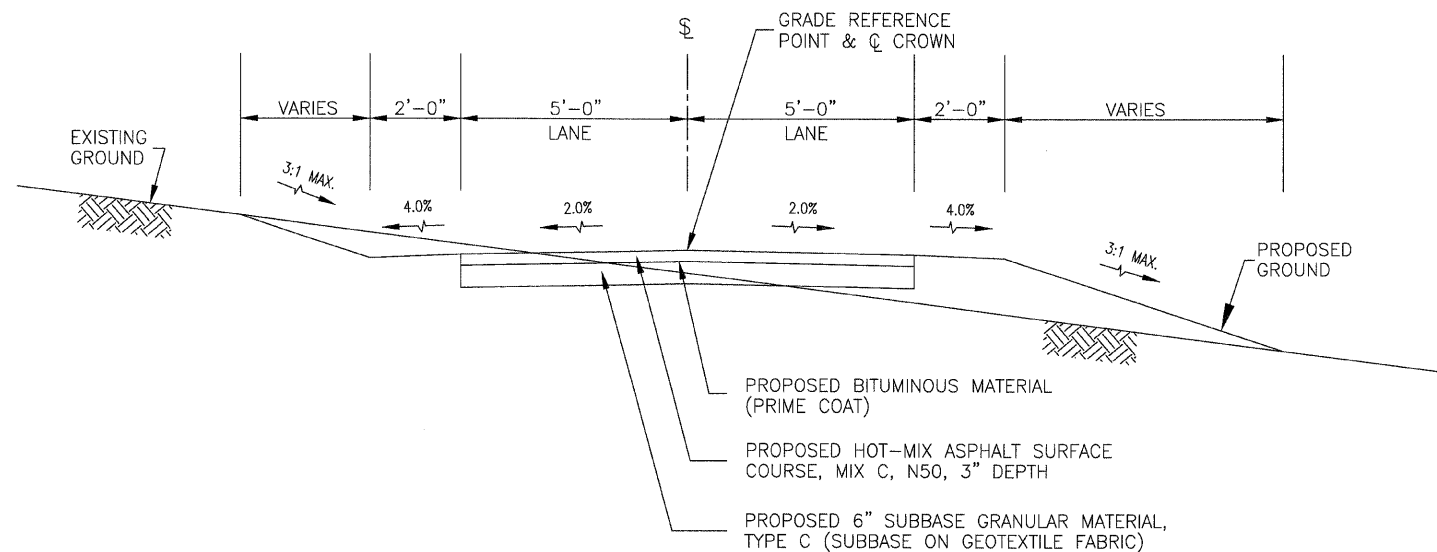


PROPOSED TYPICAL SECTION – BITUMINOUS, NORMAL DUTY

BIKE PATH: STA. 100+00 TO STA. 136+14.41  
 STA. 136+37.01 TO STA. 150+06.38  
 STA. 177+06 TO STA. 204+00  
 STA. 30+00 TO STA. 40+91.96  
 TWO WAY SHARED USE PATH



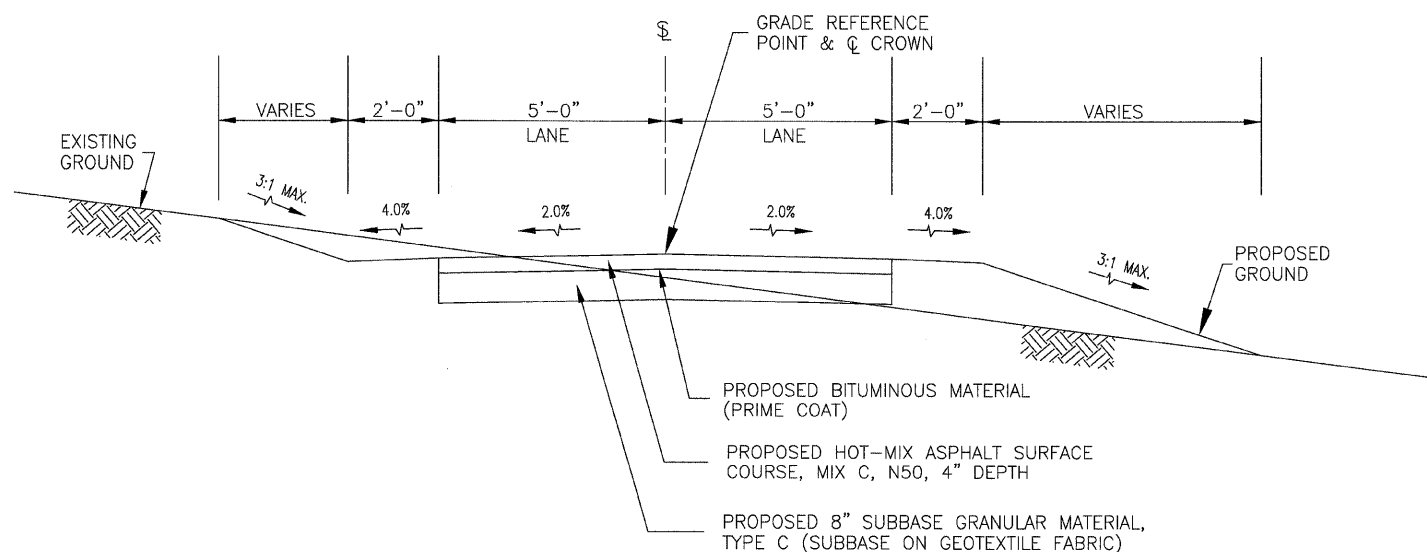
MIX REQUIREMENTS

	SURFACE	BINDER
AC TYPE	PG 64-22	PG 64-22
% AIR VOIDS	4% @ 50gr.	4% @ 50gr.
AGG. GRADE	IL-9.5	IL-19.0

NO RAP WILL BE ALLOWED ON THE SURFACE COURSE

PROPOSED TYPICAL SECTION – BITUMINOUS, HEAVY DUTY

BIKE PATH: STA. 151+41.41 TO STA. 165+18.91  
 STA. 176+50 TO STA. 177+06  
 STA. 204+00 TO STA. 208+06.42  
 TWO WAY SHARED USE PATH



PARKING LOT PAVEMENT

