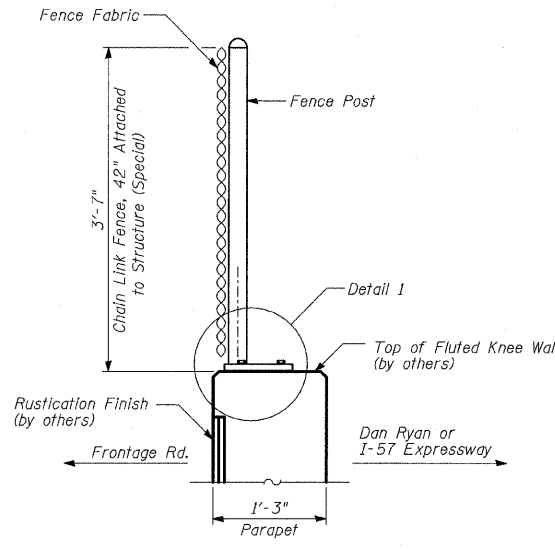
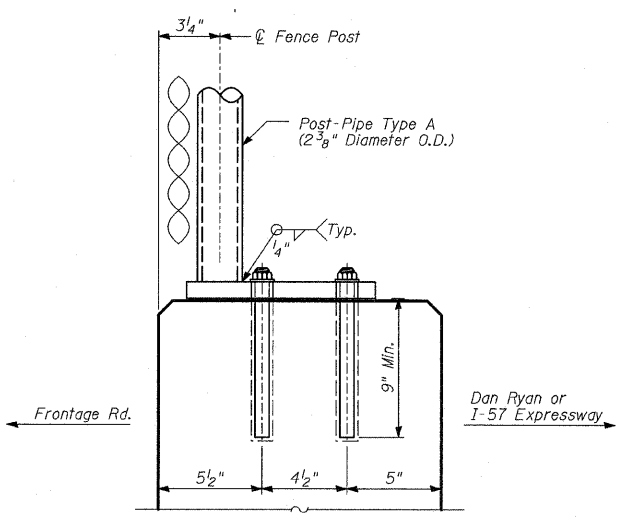


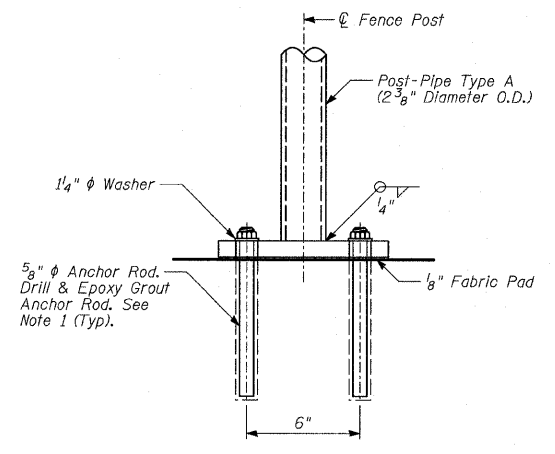
**BACK FACE ELEVATION - TOP OF RETAINING WALLS  
FLUTED PARAPET AND CHAIN LINK FENCE**



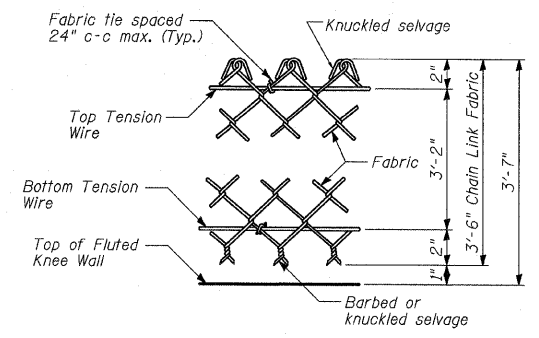
**SECTION A-A**



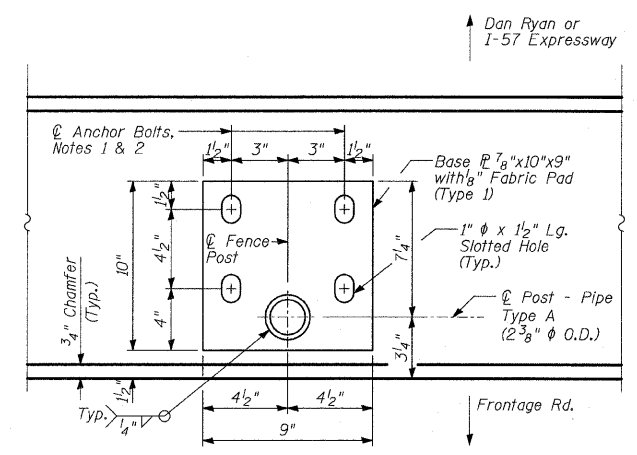
**DETAIL 1**



**DETAIL 2**



**DETAIL 3**



**SECTION B-B  
BASE PLATE PLAN**

**BILL OF MATERIAL**

LOCATION	ITEM	UNIT	TOTAL
26B	Chain Link Fence, 42" Attached to Structure (Special)	FOOT	1,220
26C	Chain Link Fence, 42" Attached to Structure (Special)	FOOT	1,043
26D	Chain Link Fence, 42" Attached to Structure (Special)	FOOT	1,432
22E	Chain Link Fence, 42" Attached to Structure (Special)	FOOT	61
26E	Chain Link Fence, 42" Attached to Structure (Special)	FOOT	1,627
Total		FOOT	5,383

**NOTES:**

- The Contractor shall drill and epoxy grout 5/8" diameter anchor rods. The Contractor shall use the capsule or the adhesive cartridge type anchor rods that have been previously tested and given prior approval by the Department for the above specified anchor rod spacing. The Contractor shall install these anchor rods in pre-drilled holes according to the manufacturer's recommendations and procedures. The capsule or adhesive cartridge shall be sealed with pre-measured amounts of adhesive chemical. Anchor rod threading to be peened after nuts are installed.
- For additional chain link fence details, see Standard 664001.

REVISIONS	
NAME	DATE

ILLINOIS DEPARTMENT OF TRANSPORTATION  
F.A.I. 94 (DAN RYAN EXPRESSWAY)  
**CHAIN LINK FENCE, 42" ATTACHED TO STRUCTURE (SPECIAL) DETAILS**  
S.N. DESIGNED BY: MAF  
SCALE: N.T.S. DRAWN BY: MAF  
DATE: FEBRUARY 13, 2009 CHECKED BY: MI