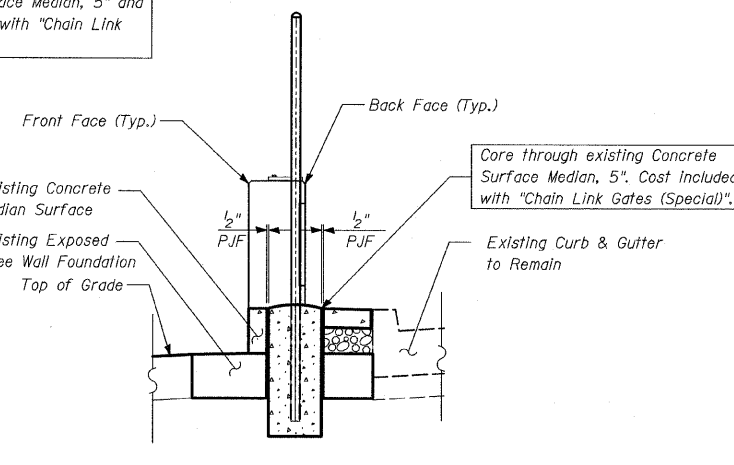


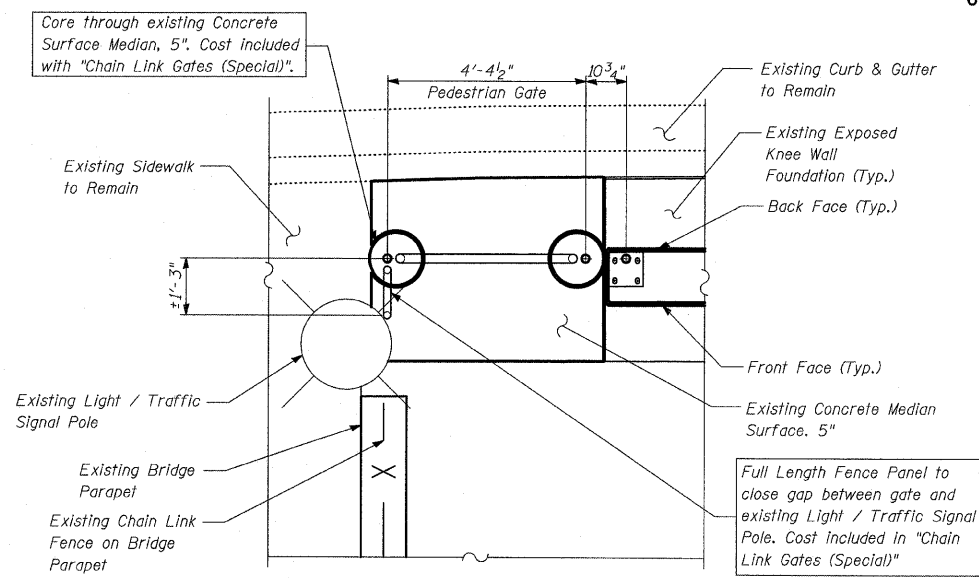
PLAN - CHAIN LINK GATE (SPECIAL) AT FLUTED KNEE WALL, SPECIAL

(Contract 22E - Sta. 1311+79.6)
(Contract 26E - Sta. 1331+34.2)



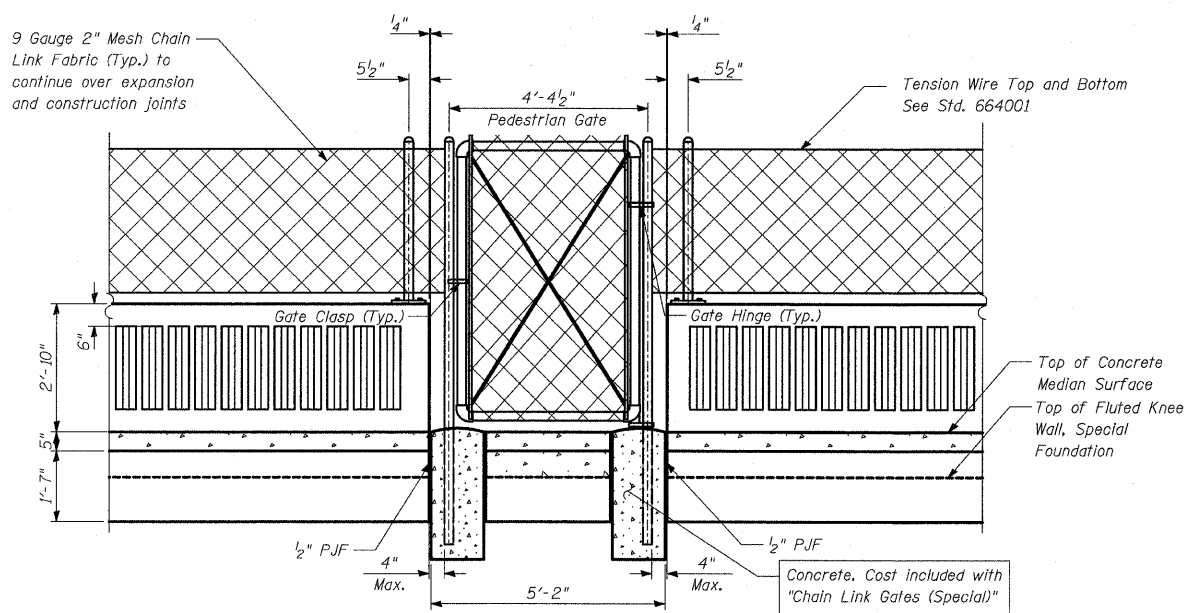
CROSS SECTION A-A - CHAIN LINK GATE (SPECIAL) AT FLUTED KNEE WALL, SPECIAL

(Contract 22E - Sta. 1311+79.6)
(Contract 26E - Sta. 1331+34.2)



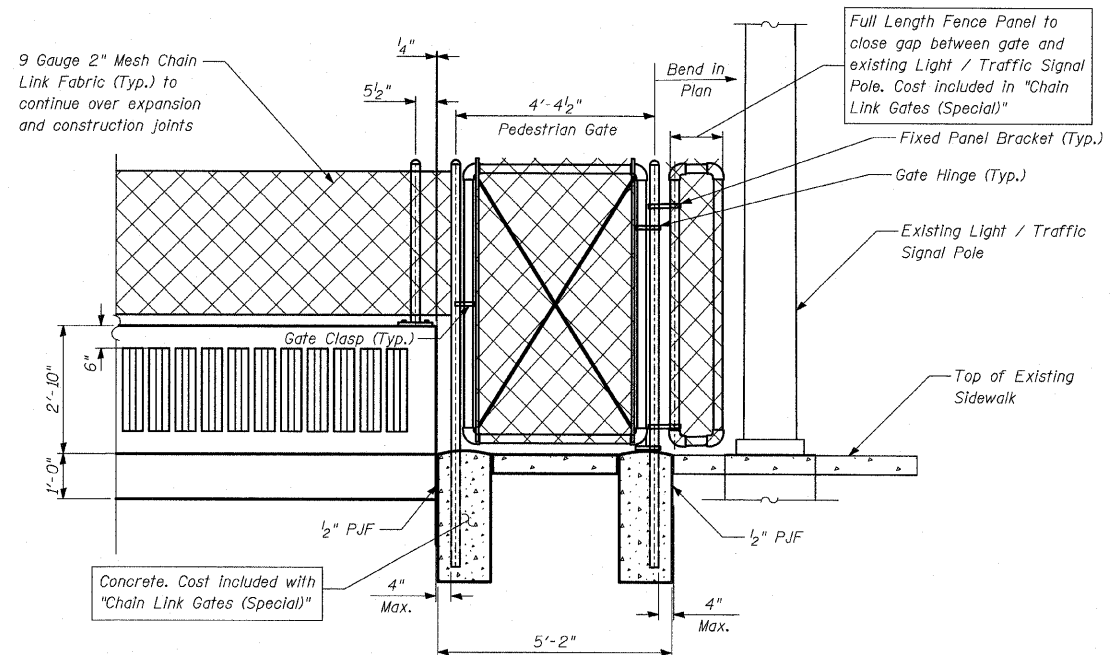
PLAN

(Contract 26D - Sta. 1286+37.8)



BACK FACE ELEVATION - TYPICAL CHAIN LINK GATE (SPECIAL) AT FLUTED KNEE WALL, SPECIAL - LOOKING EAST

(Contract 22E - Sta. 1311+79.6)
(Contract 26E - Sta. 1331+34.2)



BACK FACE ELEVATION - CHAIN LINK GATE (SPECIAL) - LOOKING EAST

(Contract 26D - Sta. 1286+37.8)

BILL OF MATERIAL

LOCATION	ITEM	UNIT	TOTAL
26B	Chain Link Gates (Special)	EACH	0
26C	Chain Link Gates (Special)	EACH	0
26D	Chain Link Gates (Special)	EACH	1
22E	Chain Link Gates (Special)	EACH	1
26E	Chain Link Gates (Special)	EACH	1
	Total	EACH	3

REVISIONS	
NAME	DATE

ILLINOIS DEPARTMENT OF TRANSPORTATION
F.A.I. 94 (DAN RYAN EXPRESSWAY)
CHAIN LINK GATE (SPECIAL) DETAILS

S.N. DESIGNED BY: MAF
SCALE: N.T.S. DRAWN BY: MAF
DATE: FEBRUARY 13, 2009 CHECKED BY: MI