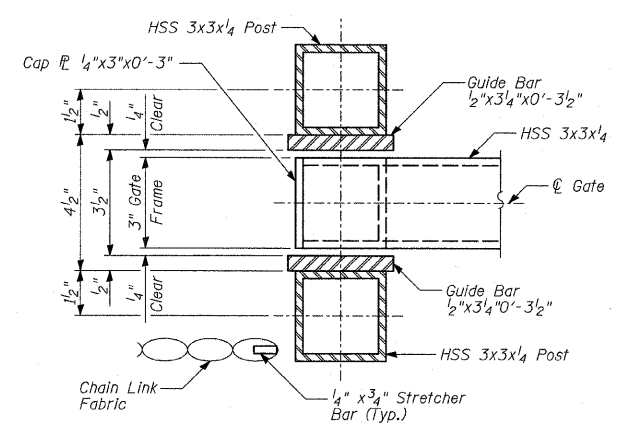
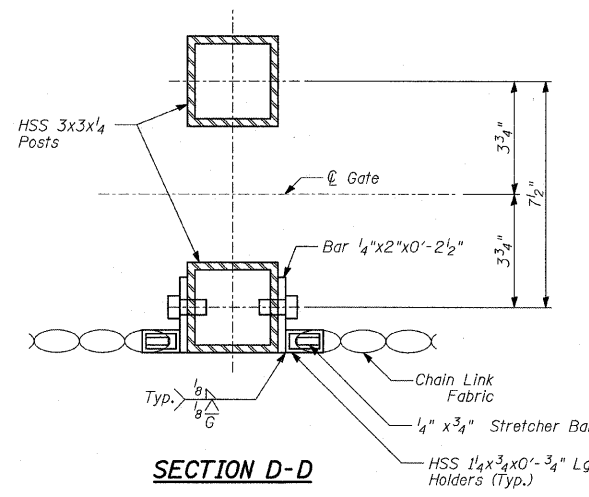


ANCHOR ROD DETAILS

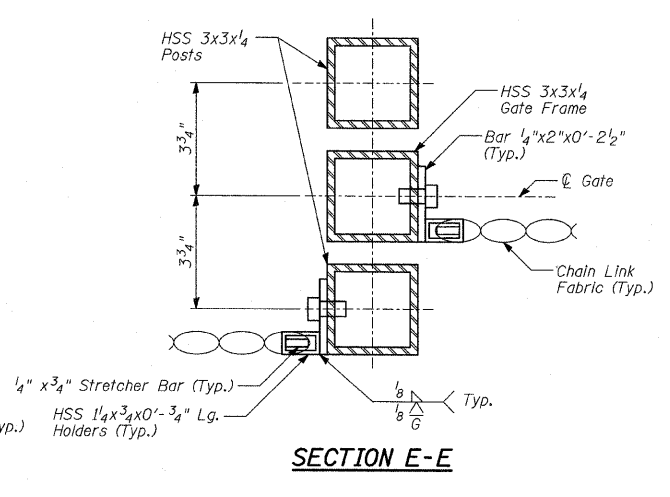
The Contractor shall drill and epoxy grout 5/8" diameter anchor rods. The Contractor shall use the capsule or the adhesive cartridge type anchor rods that have been previously tested and given prior approval by the Department for the above specified anchor rod spacing. The Contractor shall install these anchor rods in pre-drilled holes according to the manufacturer's recommendations and procedures. The capsule or adhesive cartridge shall be sealed with pre-measured amounts of adhesive chemical. Anchor rod threading to be peened after nuts are installed. See details 2 & 3 on sheet 22 of 29 for anchor rod spacing.



SECTION B-B



SECTION D-D



SECTION E-E

NOTES:

- For Notes See Sheet 22 of 29.
- For Anchor Rod locations, see Details 1, 2 & 3 on Sheet 22 of 29.

REVISIONS	
NAME	DATE

ILLINOIS DEPARTMENT OF TRANSPORTATION
 F.A.I. 94 (DAN RYAN EXPRESSWAY)
 CHAIN LINK GATE ASSEMBLY (SPECIAL),
 GATE SECTIONS

S.N. DESIGNED BY: MAF
 SCALE: N.T.S. DRAWN BY: MAF
 DATE: FEBRUARY 13, 2009 CHECKED BY: MI