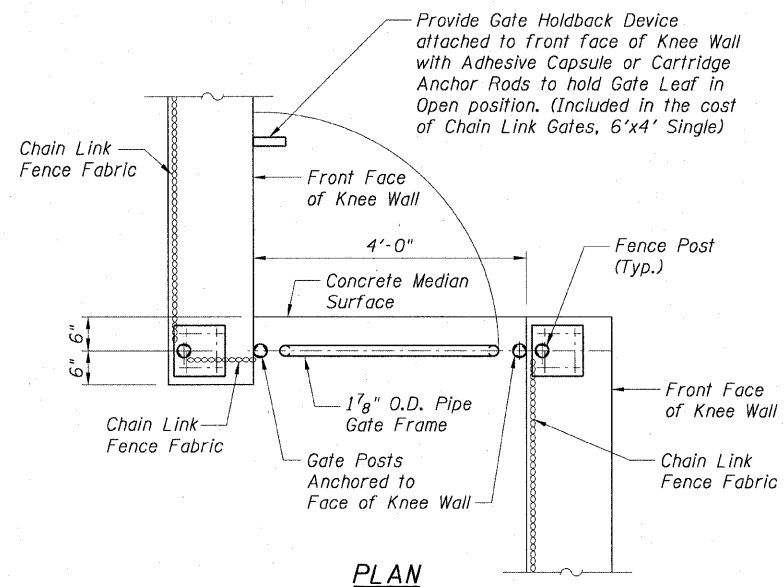


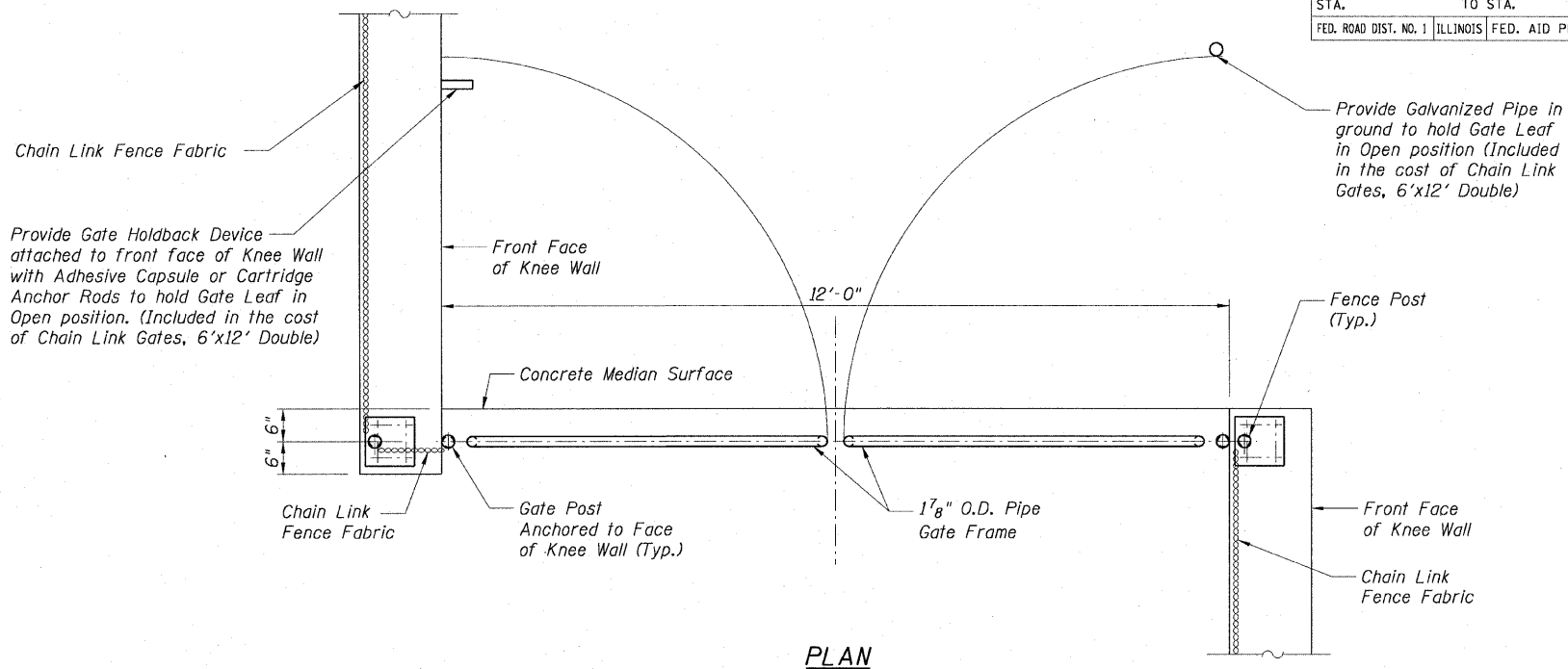
STATE OF ILLINOIS  
DEPARTMENT OF TRANSPORTATION

|                       |            |                           |              |           |
|-----------------------|------------|---------------------------|--------------|-----------|
| F.A.I. RTE.           | SECTION    | COUNTY                    | TOTAL SHEETS | SHEET NO. |
| 90/94                 | 2005-032 I | COOK                      | 37           | 27        |
| STA.                  |            | TO STA.                   |              |           |
| FED. ROAD DIST. NO. 1 |            | ILLINOIS FED. AID PROJECT |              |           |

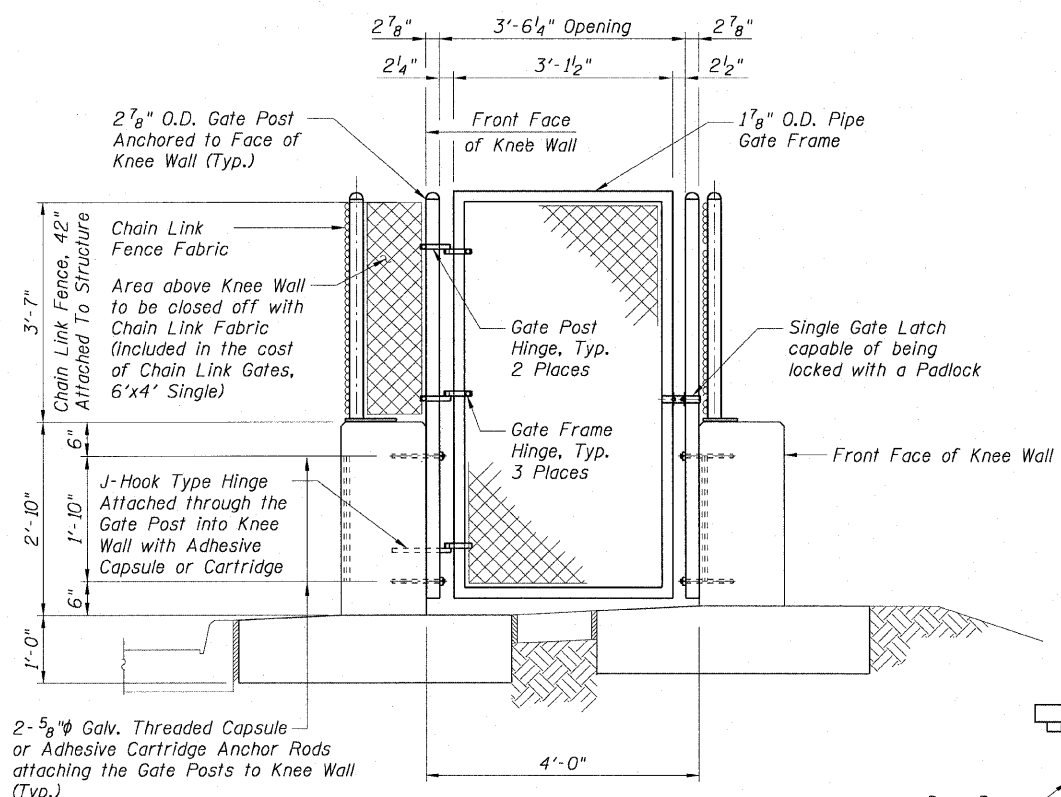
60A03



PLAN



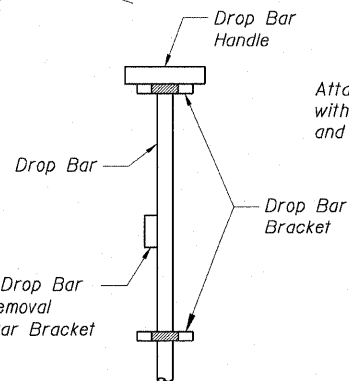
PLAN



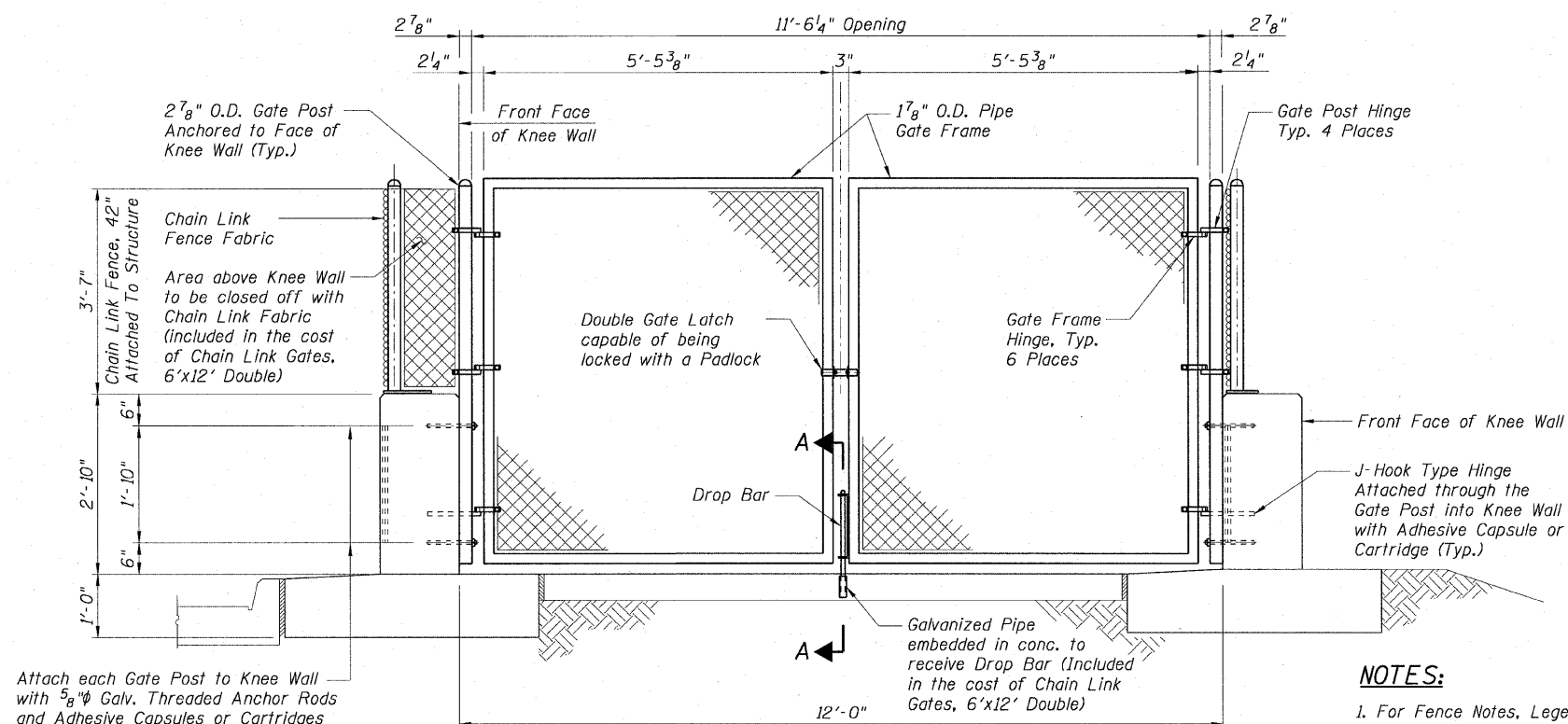
TYPICAL ELEVATION

CHAIN LINK GATES, 6'x4' SINGLE DETAILS

Note: Gate detail at Station 19+43.27 (Wells St.) will be similar. Latch side of gate will be attached to an existing retaining wall.



SECTION A-A



TYPICAL ELEVATION

CHAIN LINK GATES, 6'x12' DOUBLE DETAILS

NOTES:

1. For Fence Notes, Legend and Details see Sheet F1.
2. For location of Gates see Proposed Roadway Plans.

Sheet F2 of 7

| REVISIONS |      |
|-----------|------|
| NAME      | DATE |
|           |      |
|           |      |
|           |      |
|           |      |
|           |      |
|           |      |
|           |      |
|           |      |
|           |      |

ILLINOIS DEPARTMENT OF TRANSPORTATION  
F.A.I. 90/94 (DAN RYAN EXPRESSWAY)  
71ST ST TO 47TH ST (NB & SB FENCE AND GATES)

PLAN, ELEVATION AND DETAILS  
CHAIN LINK GATES, 6'x4' SINGLE AND  
CHAIN LINK GATES, 6'x12' DOUBLE

SCALE: None DRAWN BY: DAS/CHD  
DATE: JANUARY 14, 2009 CHECKED BY: MJP

AECOM

12:34:20 PM 1/13/2009