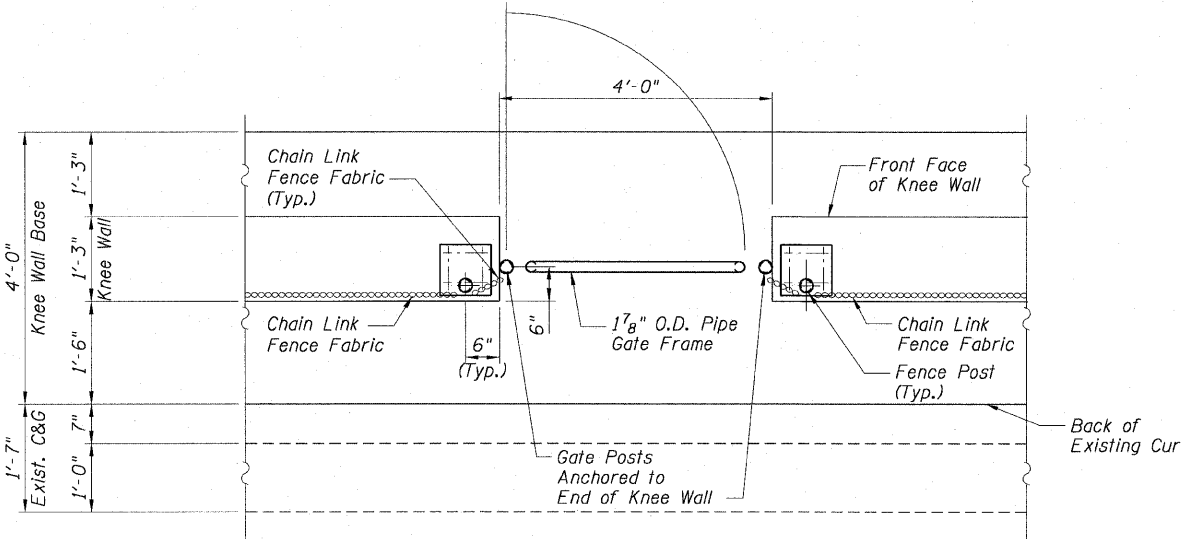
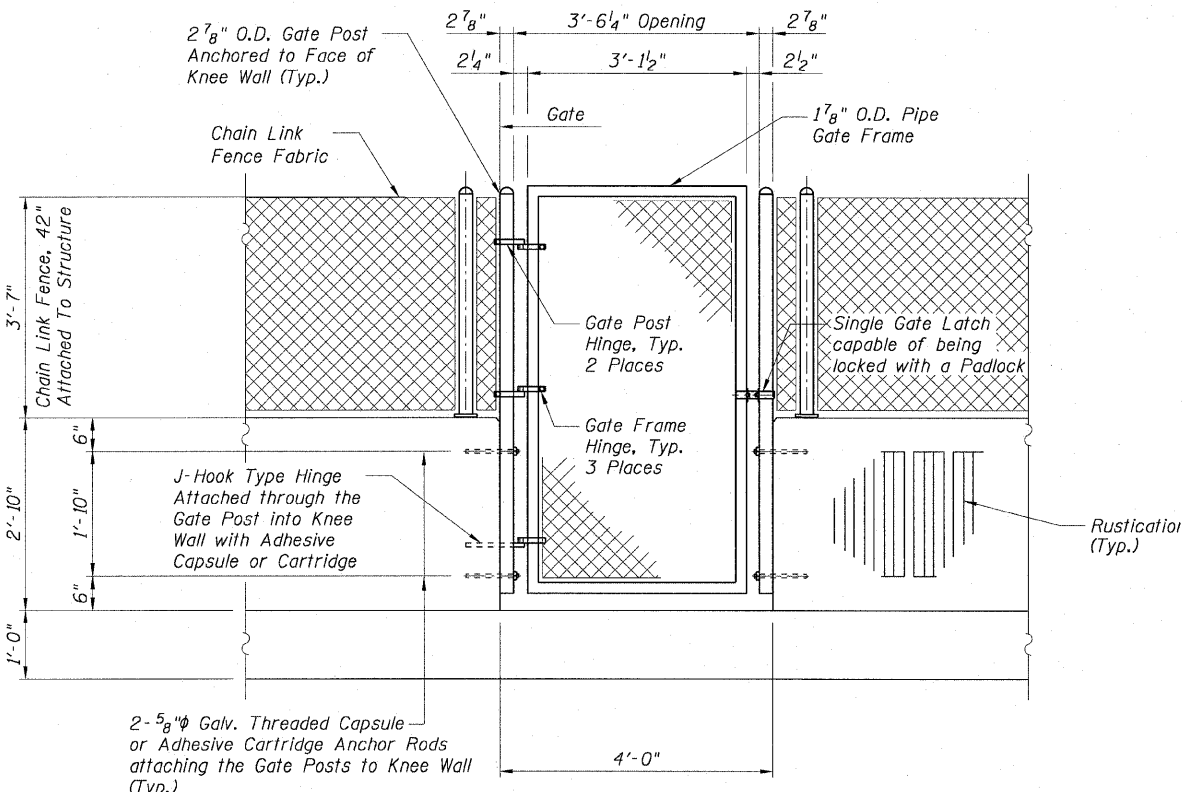


STATE OF ILLINOIS
DEPARTMENT OF TRANSPORTATION

F.A.I. RTE.	SECTION	COUNTY	TOTAL SHEETS	SHEET NO.
90/94	2005-032 I	COOK	37	28
STA.		TO STA.		
FED. ROAD DIST. NO. 1	ILLINOIS	FED. AID PROJECT		
60A03				



PLAN



OPENING IN KNEE WALL ELEVATION
CHAIN LINK GATE, 6'x4' SINGLE - DETAILS

NOTES:

1. For Fence Notes, Legend and Details see Sheet F1.
2. For location of Gates see Proposed Roadway Plans.

Sheet F3 of 7

AECOM

REVISIONS	
NAME	DATE

ILLINOIS DEPARTMENT OF TRANSPORTATION
F.A.I. 90/94 (DAN RYAN EXPRESSWAY)
71ST ST TO 47TH ST (NB & SB FENCE AND GATES)

PLAN AND ELEVATION
CHAIN LINK GATES, 6'x4' SINGLE

SCALE: None
DATE: JANUARY 14, 2009

DRAWN BY: DAS/CHD
CHECKED BY: RDP

1/13/2009 12:34:21 PM