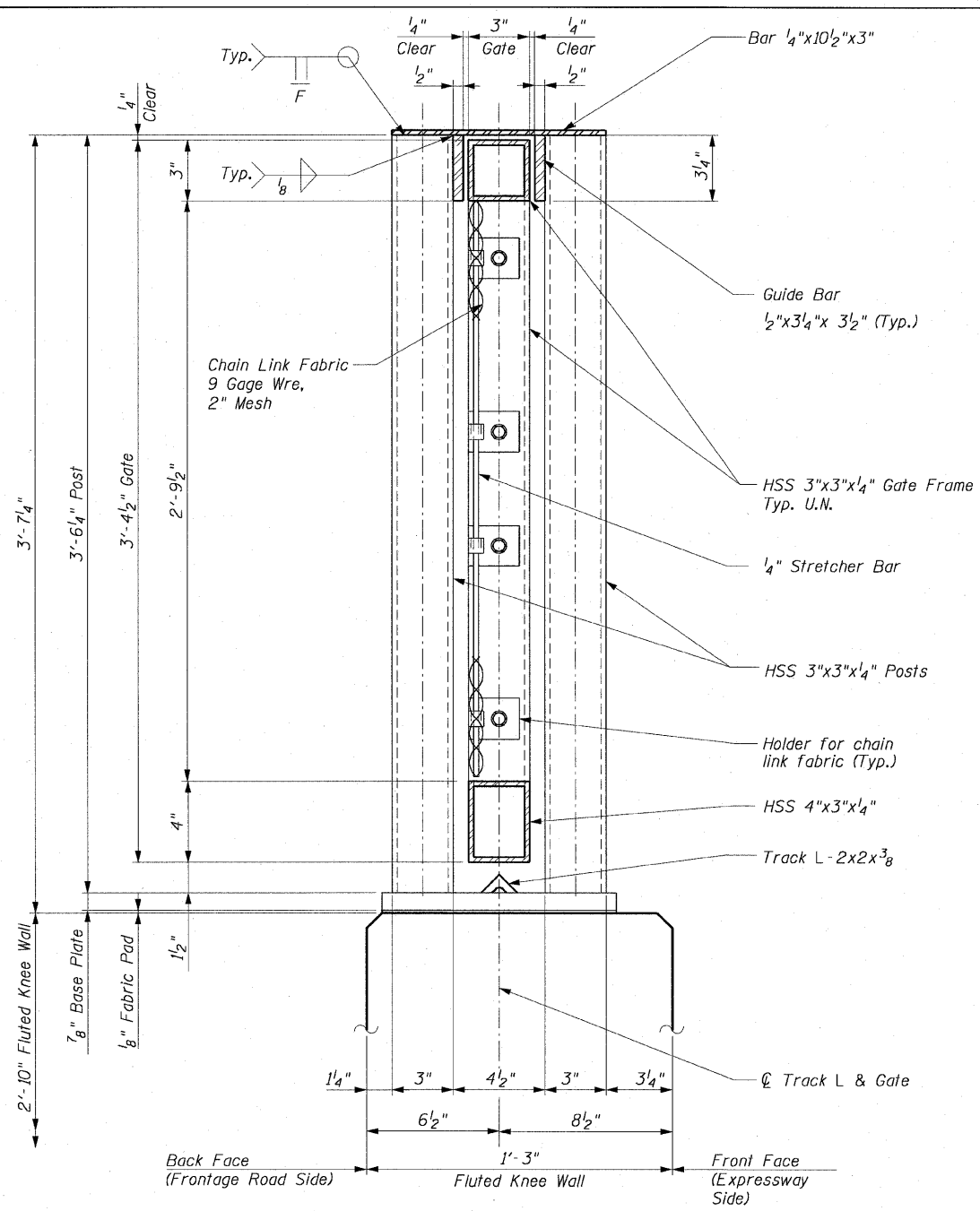
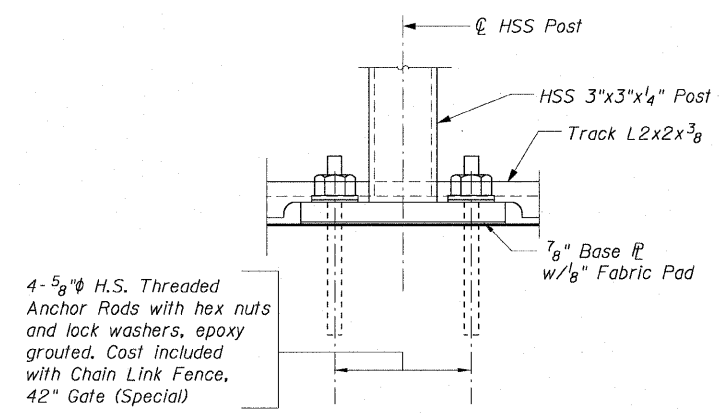


F.A.I. RTE.	SECTION	COUNTY	TOTAL SHEETS	SHEET NO.
90/94	2005-032 I	COOK	37	31
STA.		TO STA.		
FED. ROAD DIST. NO. 1		ILLINOIS FED. AID PROJECT		
60A03				

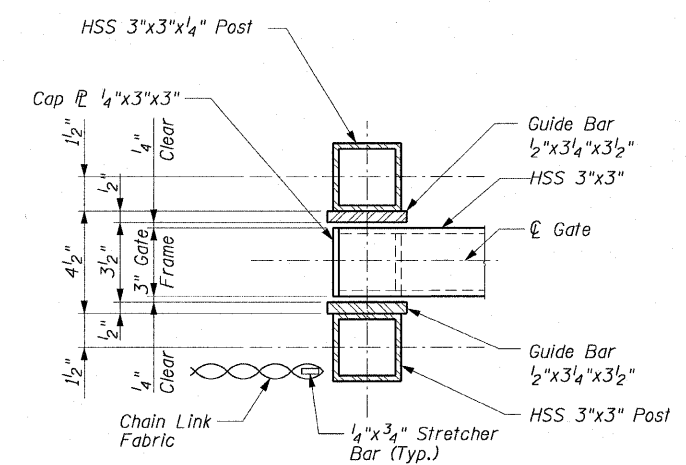
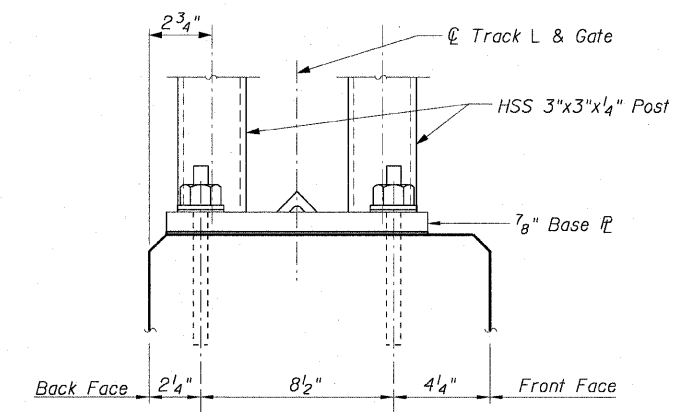


**SECTION A-A**

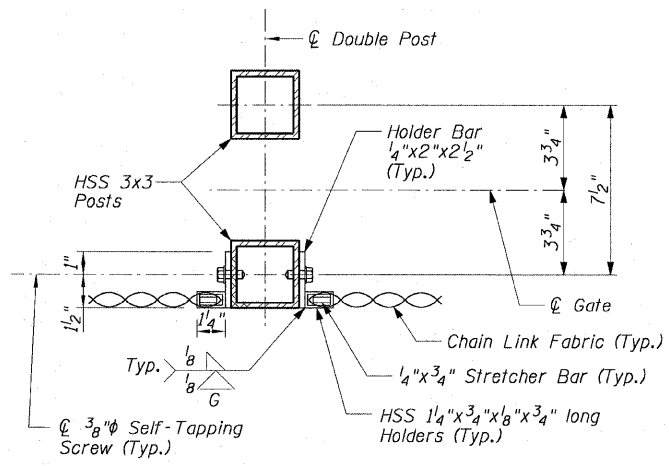


**ANCHOR ROD DETAILS**

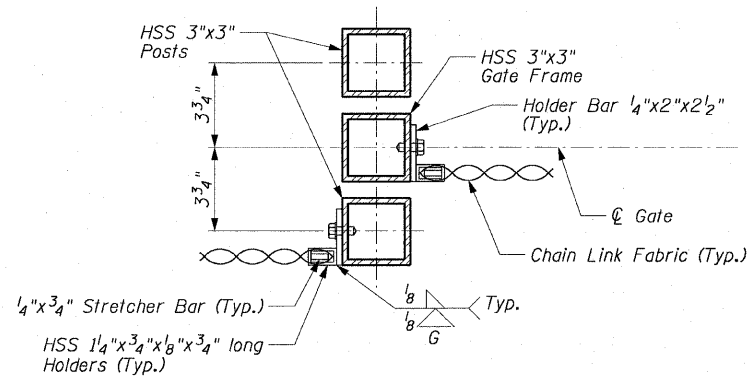
Hole depth shall be according to the Manufacturer's specifications.



**SECTION B-B**



**SECTION D-D**



**SECTION E-E**

**NOTES:**

1. For Notes see Sheet F5.
2. For Anchor Bolt Locations see Details 1, 2 and 3 on Sheet F5.
3. For Locations of Sections A-A, D-D & E-E see Sheet F4.
4. HSS denotes Hollow Structural Section.

**AECOM**

REVISIONS	
NAME	DATE

SHEET F6 of 7

ILLINOIS DEPARTMENT OF TRANSPORTATION  
 F.A.I. 90/94 (DAN RYAN EXPRESSWAY)  
 71ST ST TO 47TH ST (NB & SB FENCE AND GATES)

**TYPICAL SECTIONS AND DETAILS,  
 CHAIN LINK FENCE, 42" GATE (SPECIAL)  
 COOK COUNTY**

SCALE: None      DRAWN BY: FJD  
 DATE: JANUARY 14, 2009      CHECKED BY: RS

\\uscgfip207\p40468\40468\struct\28-knee-wall-fence\sta\contract\_35\1350062\stf 1/13/2009 12:34:22 PM