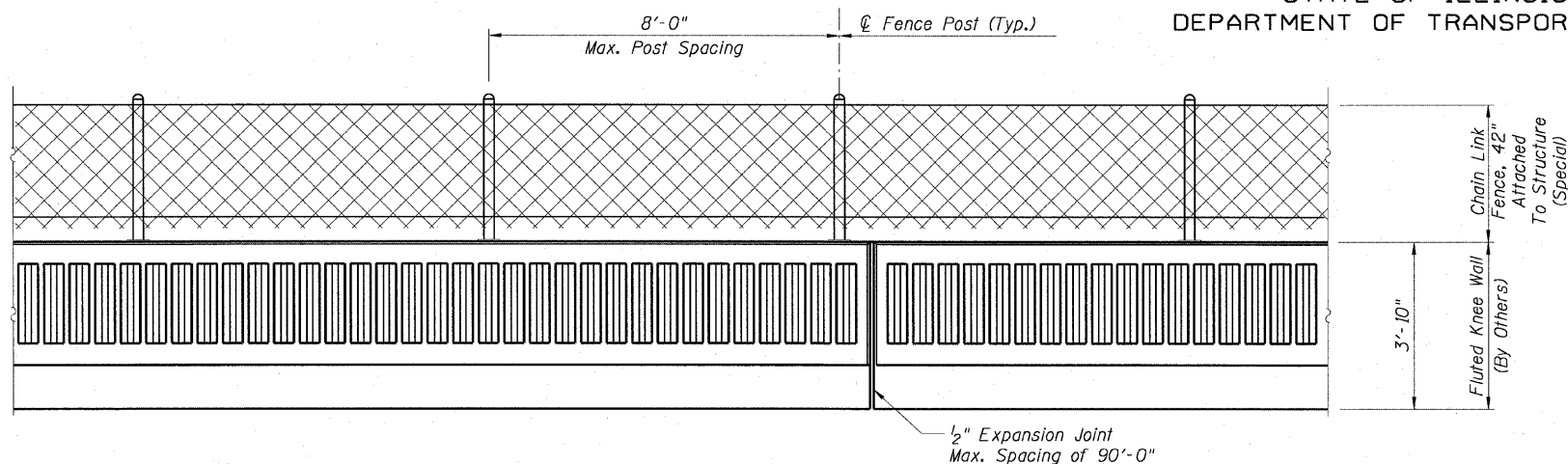
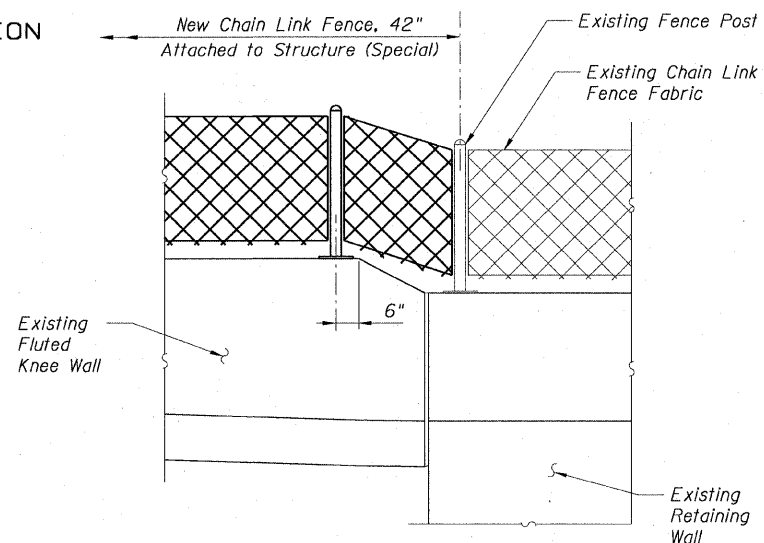


STATE OF ILLINOIS
DEPARTMENT OF TRANSPORTATION

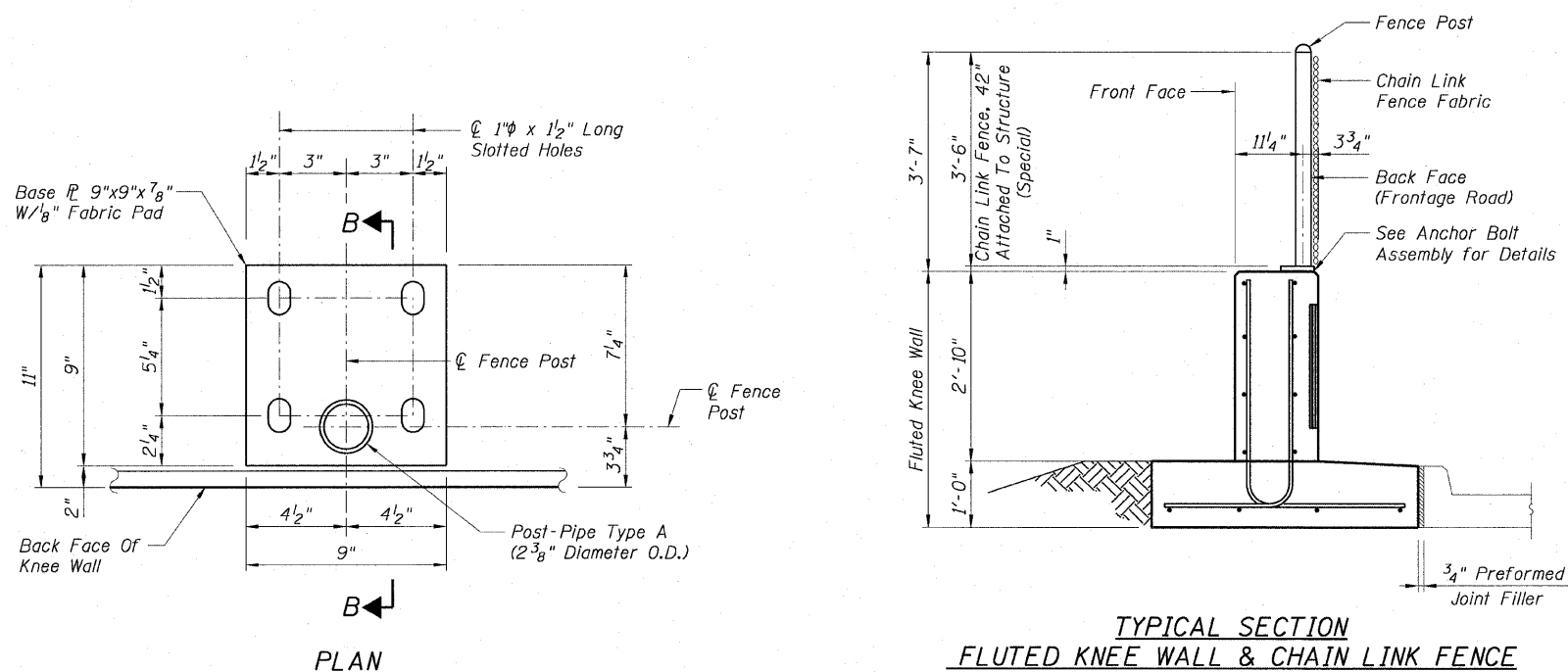
F.A.I. RTE.	SECTION	COUNTY	TOTAL SHEETS	SHEET NO.
90/94	2006-034 I	COOK	36	25
STA.		TO STA.		
FED. ROAD DIST. NO. 1		ILLINOIS FED. AID PROJECT		
60888				



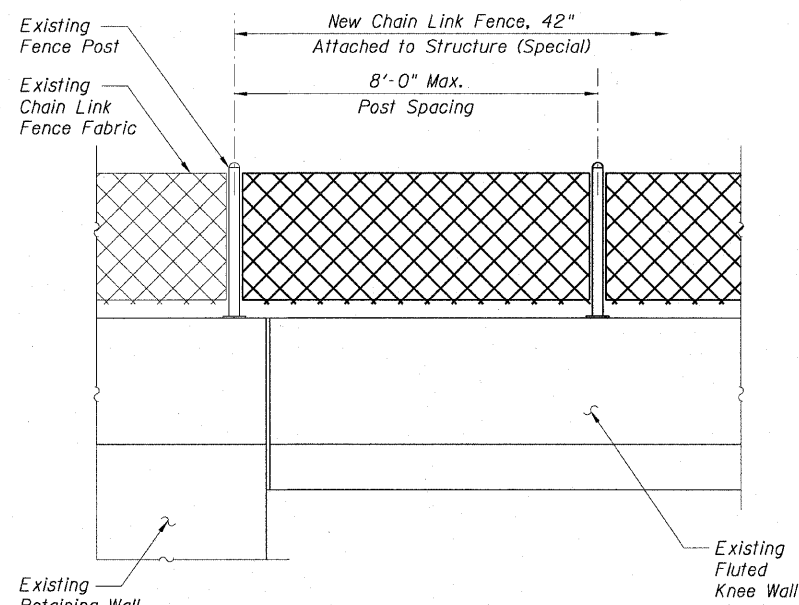
BACK FACE ELEVATION - FLUTED KNEE WALL AND CHAIN LINK FENCE



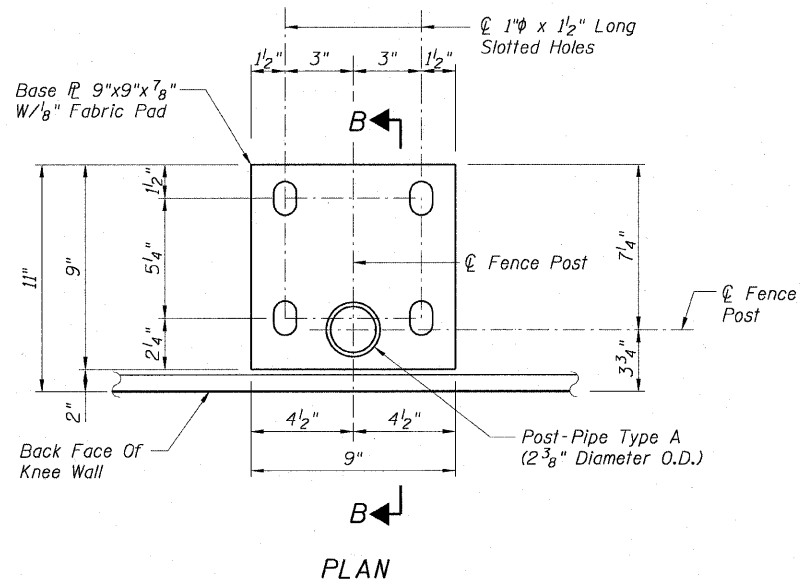
CHAIN LINK FENCE, 42"
ATTACHED TO STRUCTURE (SPECIAL) DETAIL



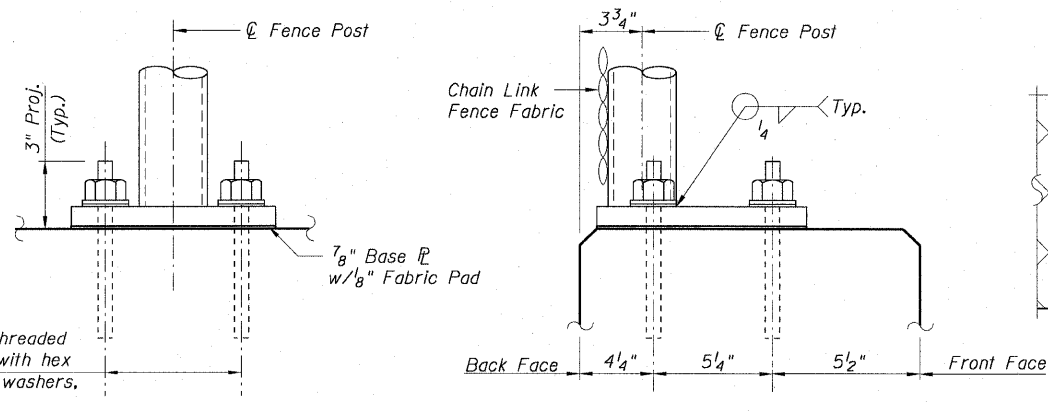
TYPICAL SECTION
FLUTED KNEE WALL & CHAIN LINK FENCE



CHAIN LINK FENCE, 42"
ATTACHED TO STRUCTURE (SPECIAL) DETAIL



PLAN



ELEVATION

SECTION B-B

DETAIL

ANCHOR ROD ASSEMBLY DETAILS

NOTES:

1. Fluted knee wall will not be paid for in this Contract, but shall be furnished and installed in Contracts 62983 and 62984.
2. Threaded rods, nuts and washers shall conform to AASHTO M164.
3. Posts shall not be located closer than 6" to an expansion joint or the end of the fluted parapet.
4. The Contractor shall use the capsule or the adhesive cartridge type anchor rods that have been previously tested and given a prior approval by the Department. The Contractor shall install these anchor rods in pre-drilled holes according to the manufacturer's recommendations and procedures. The capsule or the adhesive cartridge type anchor rods shall be a two-part system composed of:

- A) A threaded rod stud with nut and washer of the type specified.
 - B) A sealed glass capsule or a sealed glass adhesive cartridge containing premeasured amounts of the adhesive chemical.
5. Nuts for the 5/8" threaded anchor rods connecting the base plate to the concrete to be tightened to a snug fit and given an additional 1/8 turn.
 6. The cost of furnishing, drilling and installing epoxy grout and threaded anchor rods including hex nuts and lock washers is included in the cost per foot for "Chain Link Fence, 42" Attached to Structure (Special)".

LEGEND:

	Chain Link Fabric
	Rustication Finish
	Earth

AECOM

REVISIONS	
NAME	DATE

ILLINOIS DEPARTMENT OF TRANSPORTATION
F.A.I. 90/94 (DAN RYAN EXPRESSWAY)
FENCE AND GATES VARIOUS LOCATIONS
(71ST STREET TO 63RD STREET)

CHAIN LINK FENCE STANDARD DETAILS

SCALE: None
DATE: JANUARY 14, 2009
DRAWN BY: RSB
CHECKED BY: RS

Sheet F1 of 7

2:36:35 PM 1/13/2009