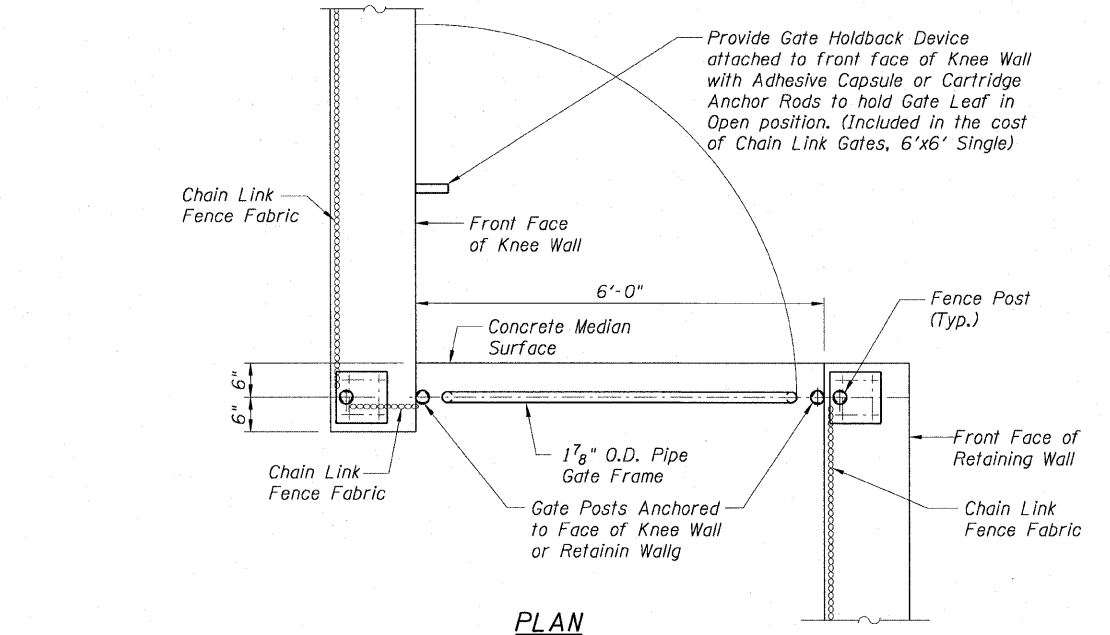


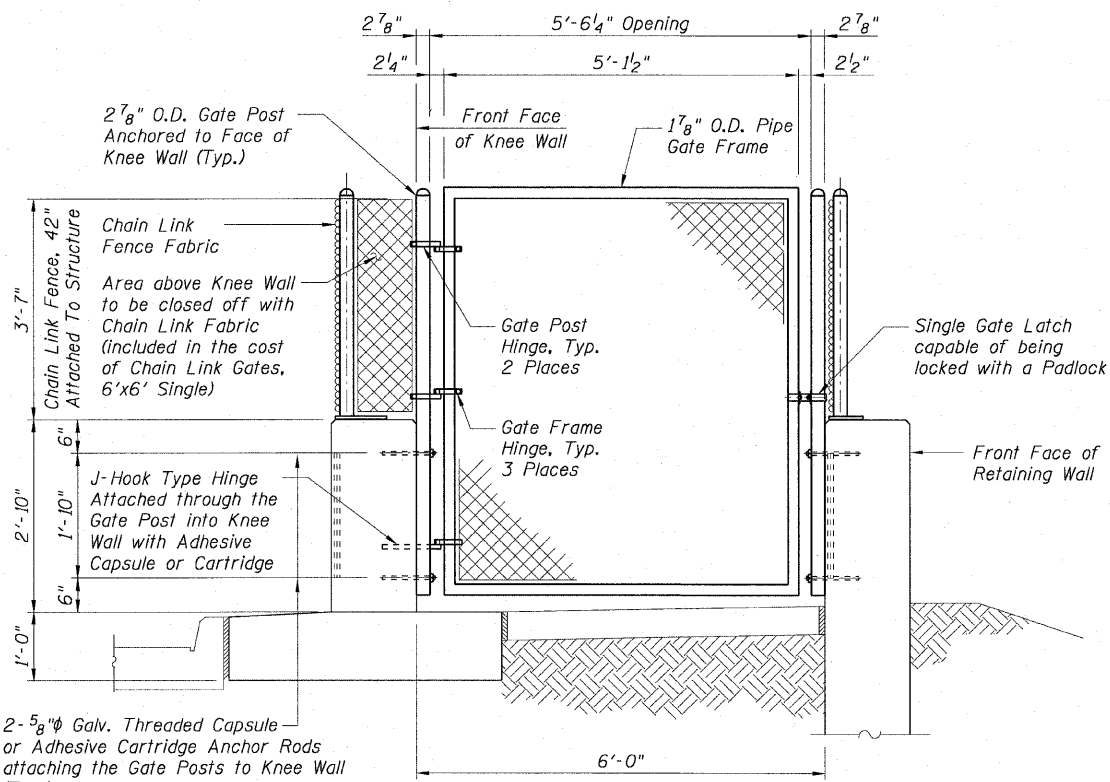
STATE OF ILLINOIS
DEPARTMENT OF TRANSPORTATION

F.A.I. RTE.	SECTION	COUNTY	TOTAL SHEETS	SHEET NO.
90/94	2006-034 I	COOK	36	26
STA.		TO STA.		
FED. ROAD DIST. NO. 1		ILLINOIS FED. AID PROJECT		

60B88



PLAN



TYPICAL ELEVATION

CHAIN LINK GATES, 6'x6' SINGLE DETAILS

Note:
Gate detail at Station 8002+62.49 State Street will be similar.
Latch side of gate will be attached to an existing retaining wall.

NOTES:

1. For Fence Notes, Legend and Details see Sheet F1.
2. For location of Gates see Proposed Roadway Plans.

Sheet F2 of 7

AECOM

REVISIONS	
NAME	DATE

ILLINOIS DEPARTMENT OF TRANSPORTATION
F.A.I. 90/94 (DAN RYAN EXPRESSWAY)
FENCE AND GATES VARIOUS LOCATIONS
(71ST STREET TO 63RD STREET)
PLAN, ELEVATION AND DETAILS
CHAIN LINK GATES, 6'x4' SINGLE AND
CHAIN LINK GATES, 6'x12' DOUBLE

SCALE: None
DATE: JANUARY 14, 2009
DRAWN BY: DAS/CHD
CHECKED BY: MJP

2:36:35 PM 1/13/2009