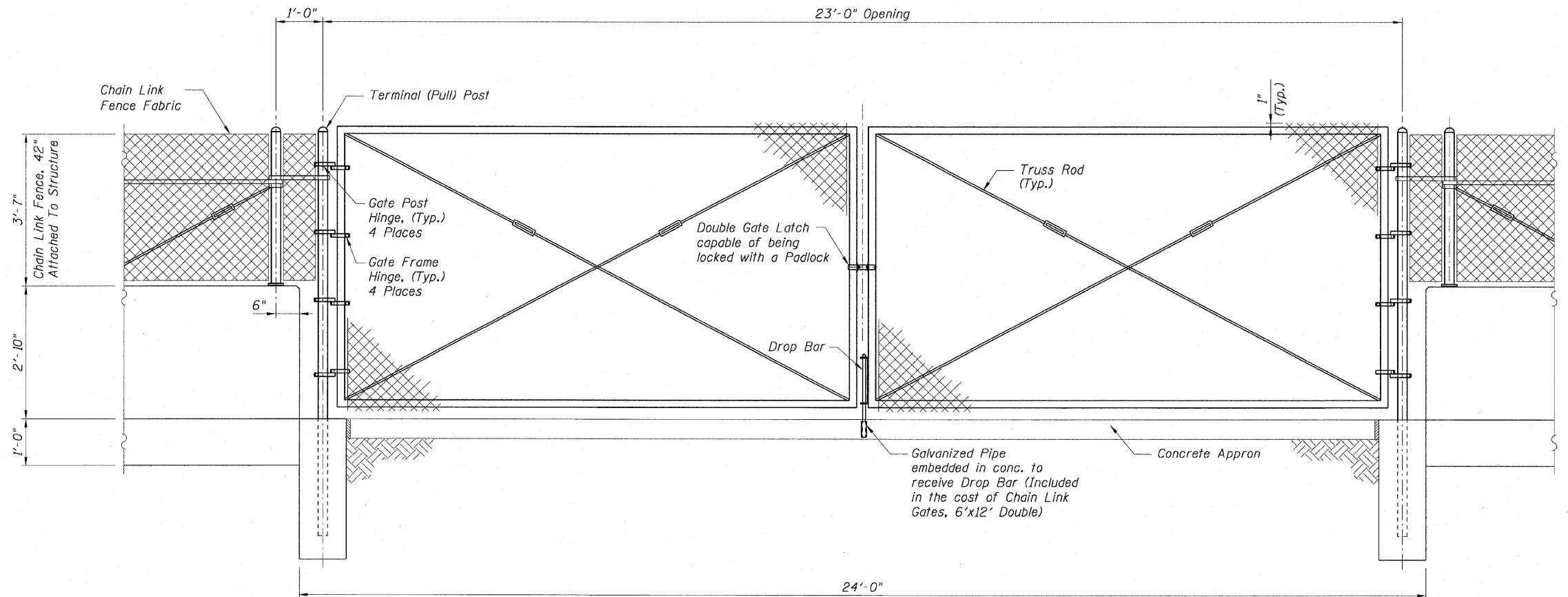
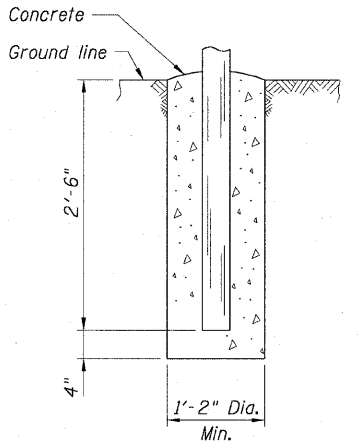
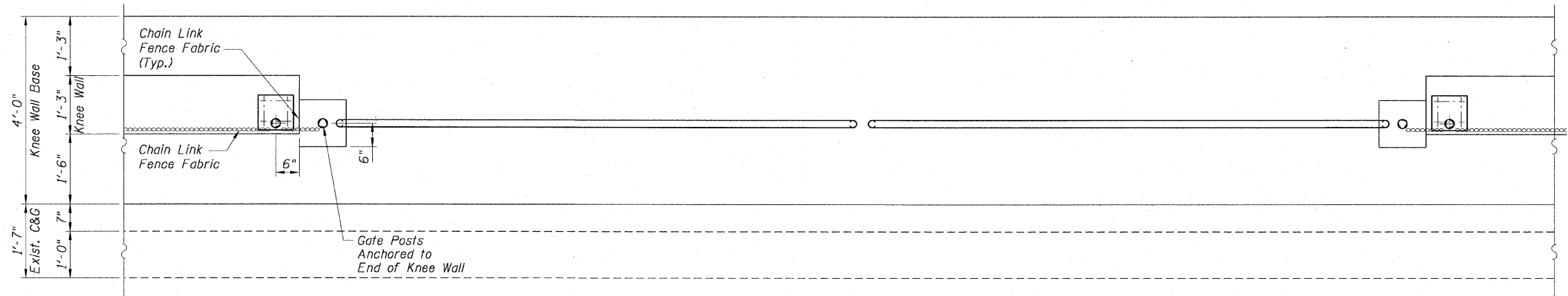


STATE OF ILLINOIS
DEPARTMENT OF TRANSPORTATION

F.A.I. RTE.	SECTION	COUNTY	TOTAL SHEETS	SHEET NO.
90/94	2006-034 I	COOK	36	27
STA.		TO STA.		
FED. ROAD DIST. NO. 1		ILLINOIS FED. AID PROJECT		

60888



CHAIN LINK GATES, 6' X 24' DOUBLE - DETAILS

- NOTES:**
- For Fence Notes, Legend and Details see Sheet F1.
 - For location of Gates see Proposed Roadway Plans.

Sheet F3 of 7

REVISIONS	
NAME	DATE

ILLINOIS DEPARTMENT OF TRANSPORTATION
F.A.I. 90/94 (DAN RYAN EXPRESSWAY)
FENCE AND GATES VARIOUS LOCATIONS
(71ST STREET TO 63RD STREET)
PLAN AND ELEVATION
CHAIN LINK GATES, 6'x24' DOUBLE

SCALE: None
DATE: JANUARY 14, 2009
DRAWN BY: DAS/CHD
CHECKED BY: RDP

AECOM

2:36:35 PM 1/13/2009