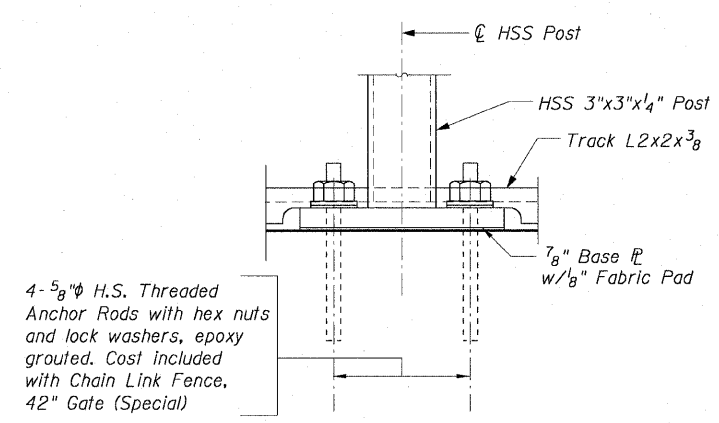
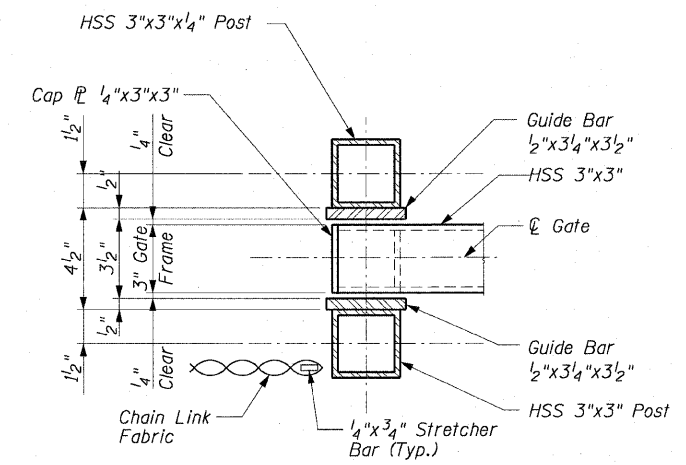
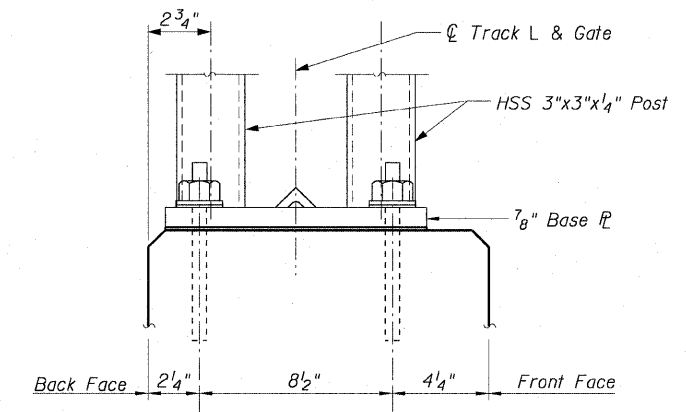


SECTION A-A

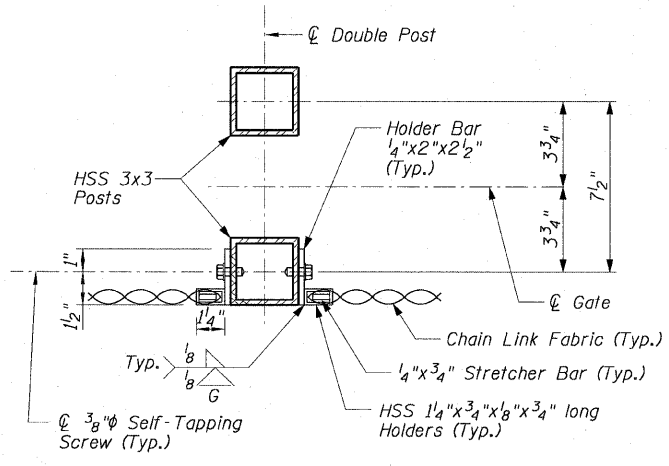


ANCHOR ROD DETAILS

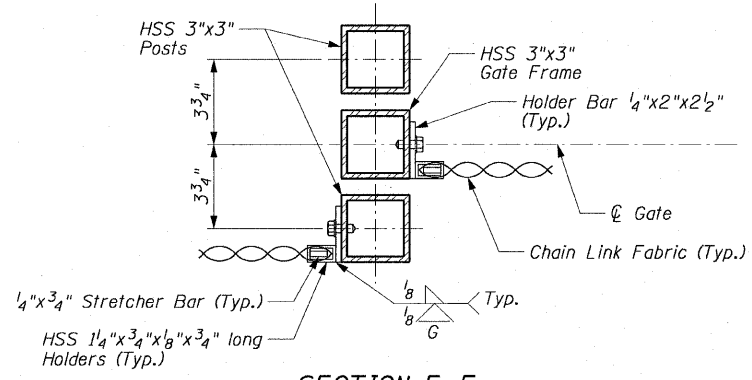
Hole depth shall be according to the Manufacturer's specifications.



SECTION B-B



SECTION D-D



SECTION E-E

NOTES:

1. For Notes see Sheet F5.
2. For Anchor Bolt Locations see Details 1, 2 and 3 on Sheet F5.
3. For Locations of Sections A-A, D-D & E-E see Sheet F4.
4. HSS denotes Hollow Structural Section.

AECOM

REVISIONS	
NAME	DATE

SHEET F6 of 7

ILLINOIS DEPARTMENT OF TRANSPORTATION
 F.A.I. 90/94 (DAN RYAN EXPRESSWAY)
 FENCE AND GATES VARIOUS LOCATIONS
 (71ST STREET TO 63RD STREET)
 TYPICAL SECTIONS AND DETAILS,
 CHAIN LINK FENCE, 42" GATE (SPECIAL)
 COOK COUNTY

SCALE: None
 DATE: JANUARY 14, 2009
 DRAWN BY: FJD
 CHECKED BY: RS

N:\scholar\p207\p40465\p40465\struct\28-knee-wall_fence.sst\contract_4174100162a.sst
 2:36:36 PM
 1/13/2009