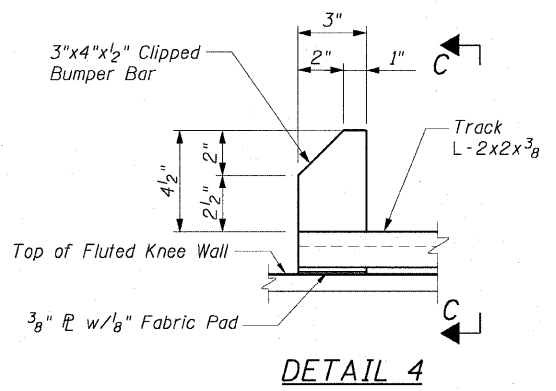
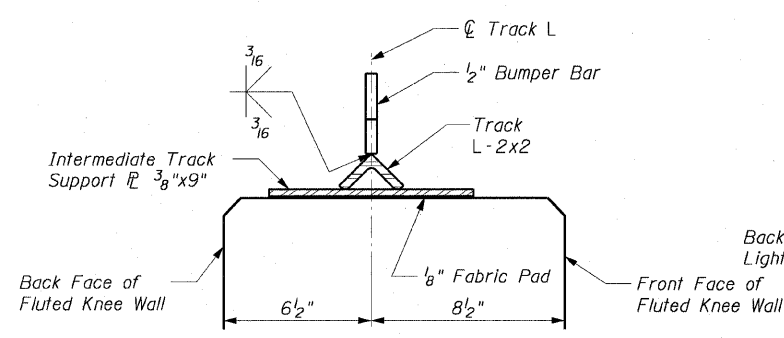


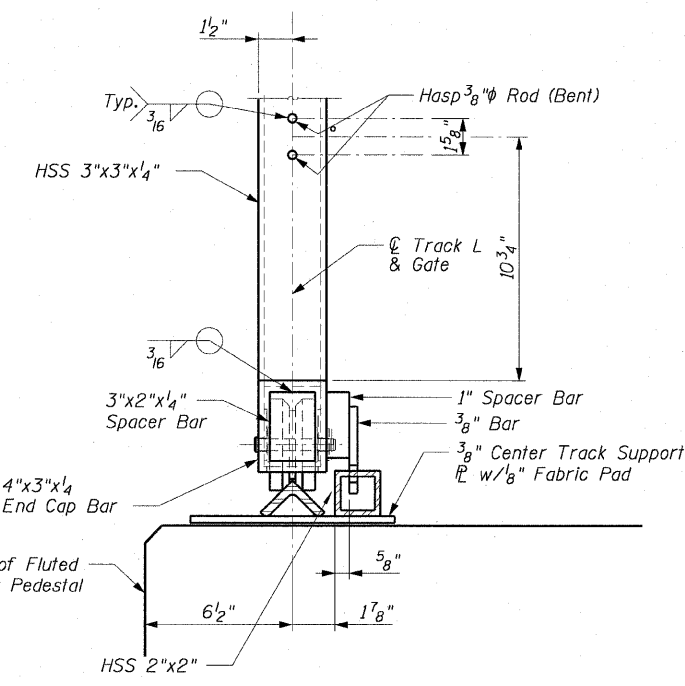
| | | | | |
|-----------------------|------------|---------------------------|--------------|-----------|
| F.A.I. RTE. | SECTION | COUNTY | TOTAL SHEETS | SHEET NO. |
| 90/94 | 2006-034 I | COOK | 36 | 31 |
| STA. | | TO STA. | | |
| FED. ROAD DIST. NO. 1 | | ILLINOIS FED. AID PROJECT | | |
| 60B88 | | | | |



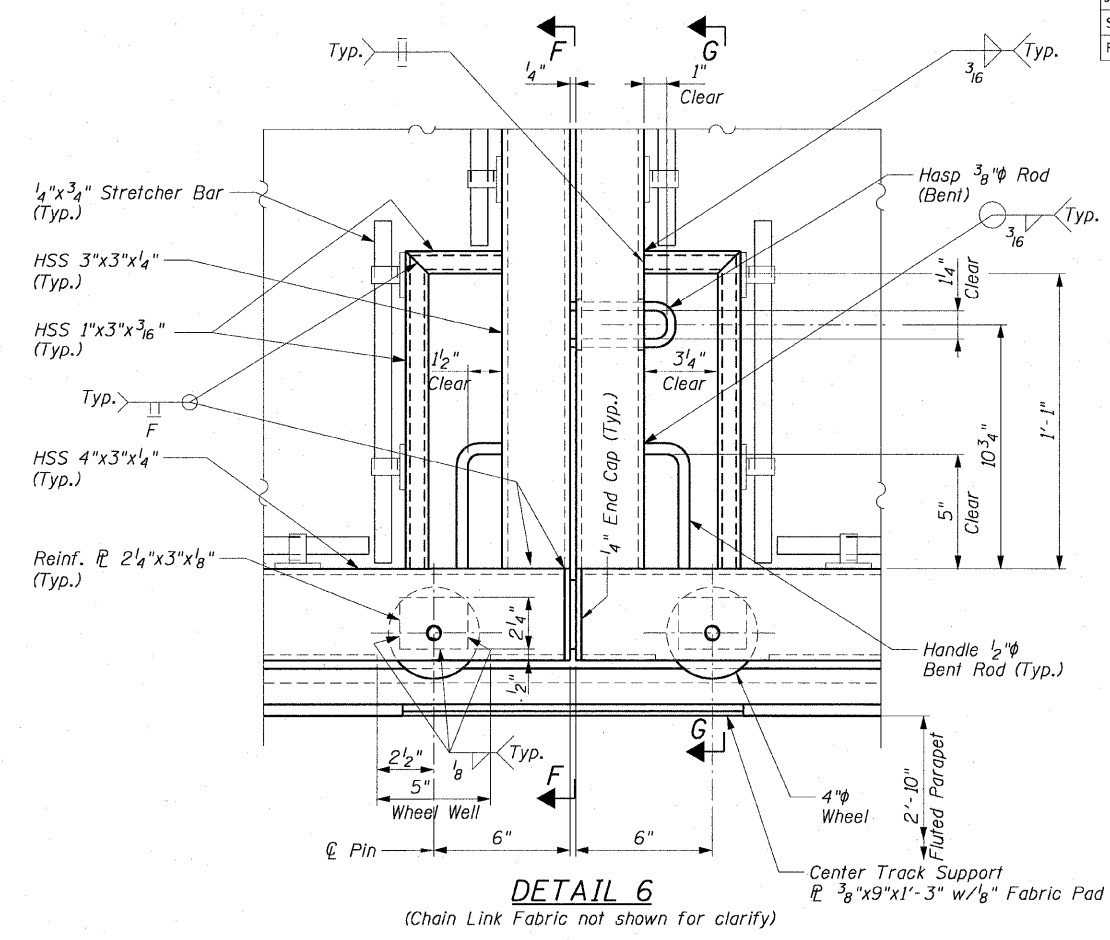
DETAIL 4



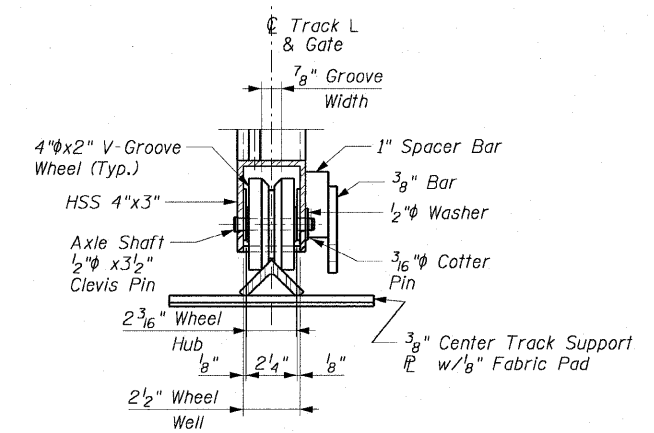
SECTION C-C



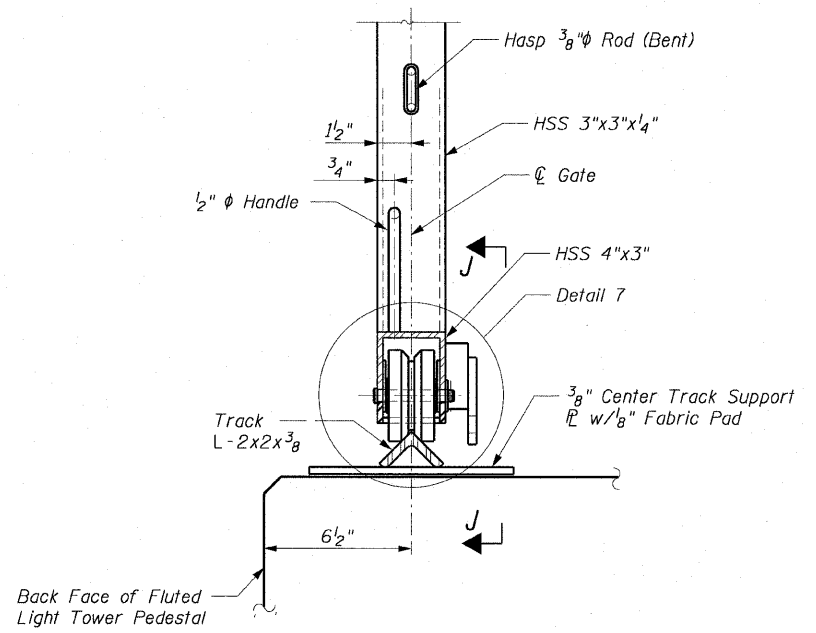
SECTION F-F



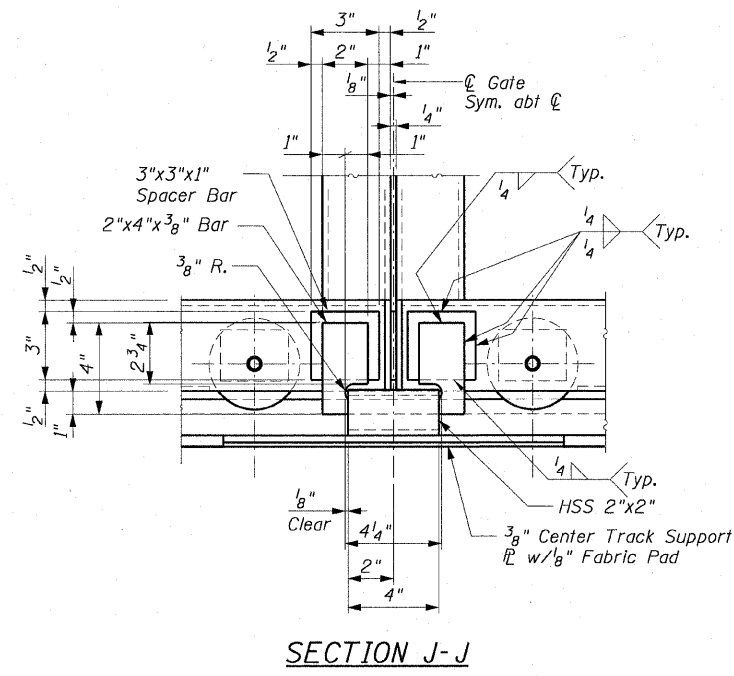
DETAIL 6
(Chain Link Fabric not shown for clarity)



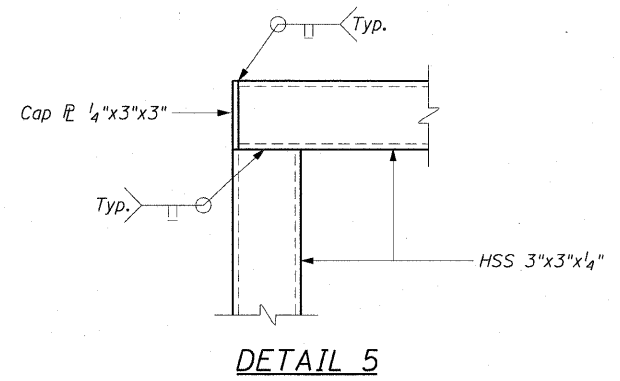
DETAIL 7



SECTION G-G



SECTION J-J



DETAIL 5

NOTES:

1. For Notes See Sheet F5.
2. For Anchor Bolt Locations See Details 1, 2 and 3 On Sheet F5.
3. For Anchor Bolt Details See Sheet F6.
4. For Location of Detail 6 See Sheet F4.
5. HSS denotes Hollow Structural Section.

| REVISIONS | |
|-----------|------|
| NAME | DATE |
| | |
| | |
| | |
| | |
| | |

SHEET F7 of 7

ILLINOIS DEPARTMENT OF TRANSPORTATION
 F.A.I. 90/94 (DAN RYAN EXPRESSWAY)
 FENCE AND GATES VARIOUS LOCATIONS
 (71ST STREET TO 63RD STREET)
**TYPICAL SECTIONS AND DETAILS
 CHAIN LINK FENCE, 42" GATE (SPECIAL)
 COOK COUNTY**

SCALE: None DRAWN BY: FJD
 DATE: JANUARY 14, 2009 CHECKED BY: RS

AECOM

V:\scipif\2007\040468\040468-struct\28-knee-wall_fence\sheet\contract_4\17410072.dwg 2:36:37 PM 1/13/2009