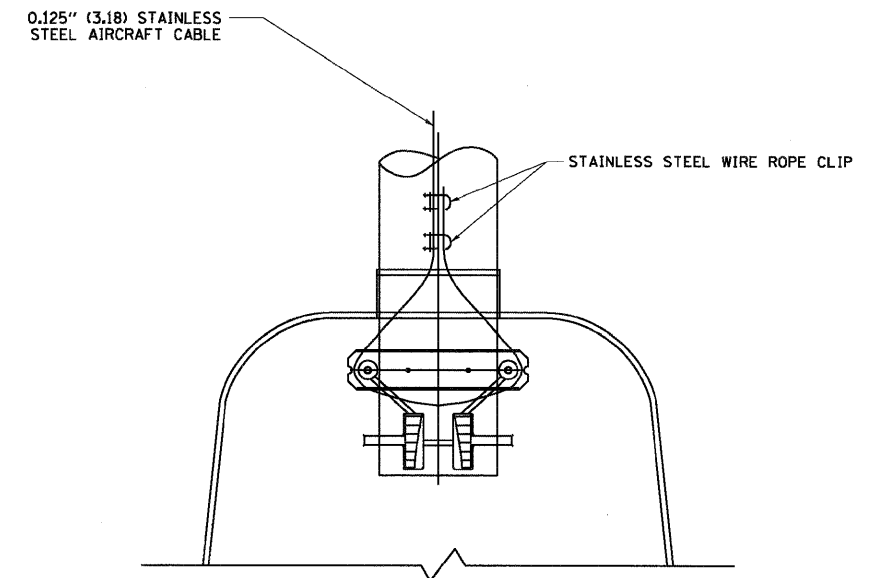
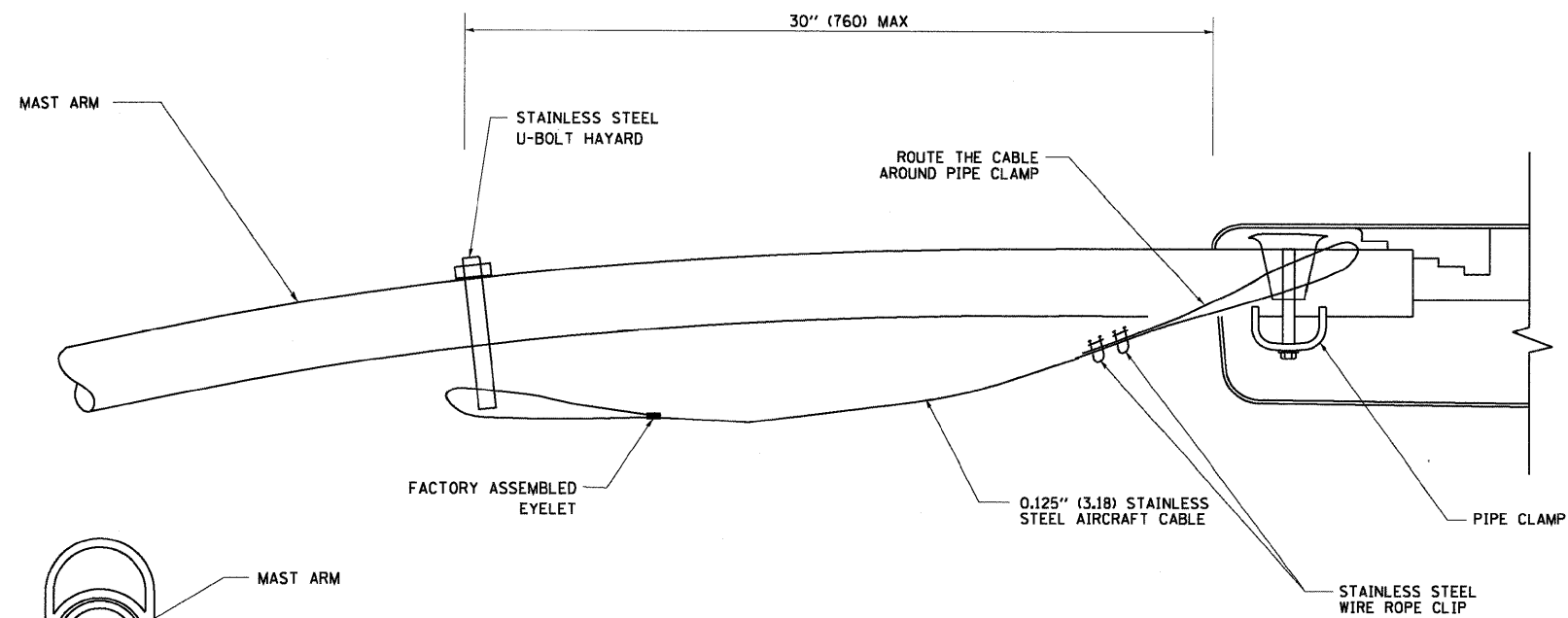


SIDE VIEW (TRUSS ARM)
N.T.S.



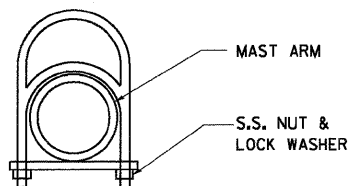
BOTTOM VIEW
N.T.S.



SIDE VIEW (SINGLE MEMBER OR DAVIT ARM)
N.T.S.

NOTES:

1. ALL DIMENSIONS ARE IN MILLIMETERS (INCHES) UNLESS OTHERWISE SHOWN
2. CONTRACTOR SHALL ADJUST THE WIRE CLIP TO ELIMINATE ANY SLACK FROM THE WIRE ROPE.
3. THE 0.125" (3.18) STAINLESS STEEL AIRCRAFT CABLE SHALL REMAIN VISIBLE FROM THE GROUND LEVEL
4. THE BREAKING STRENGTH OF THE CABLE SHALL BE 1700 LBS. MIN



STAINLESS STEEL
U-BOLT HAYARD

BOWMAN, BARRETT & ASSOCIATES INC.
CONSULTING ENGINEERS
Chicago, Illinois
312.228.0100
www.bbandainc.com



REVISIONS	
NAME	DATE

ILLINOIS DEPARTMENT OF TRANSPORTATION

LUMINAIRE SAFETY
CABLE ASSEMBLY

SCALE: VERT.
HORIZ.
DATE: 1/17/2007

DRAWN BY
CHECKED BY

F.A. RTE.	SECTION	COUNTY	TOTAL SHEETS	SHEET NO.
0353	0303.1B-1	COOK	91	39
BE-701			CONTRACT NO. 60C05	
FED. ROAD DIST. NO.		ILLINOIS FED. AID PROJECT		

FILE NAME = D:\60C05-ahh-light-t21.dgn	USER NAME = default	DESIGNED -	REVISED - 01/01/07
		DRAWN -	REVISED -
	PLOT SCALE = *SCALE*	CHECKED -	REVISED -
	PLOT DATE = 5/6/2009	DATE -	REVISED -

STATE OF ILLINOIS
DEPARTMENT OF TRANSPORTATION

LUMINAIRE SAFETY CABLE ASSEMBLY

SCALE: NTS SHEET NO. 6 OF 12 SHEETS STA. N/A TO STA. N/A

s:\718105-001\cadd\as130\cadd sheets\0160C05-ahh-light-t21.dgn