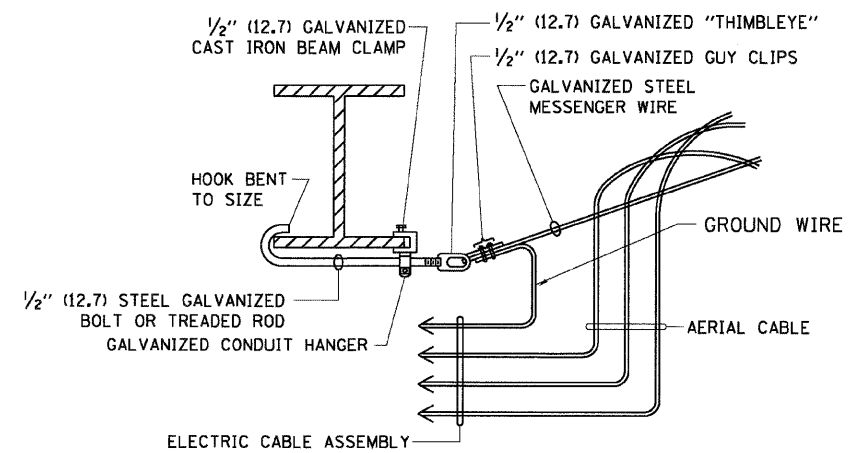


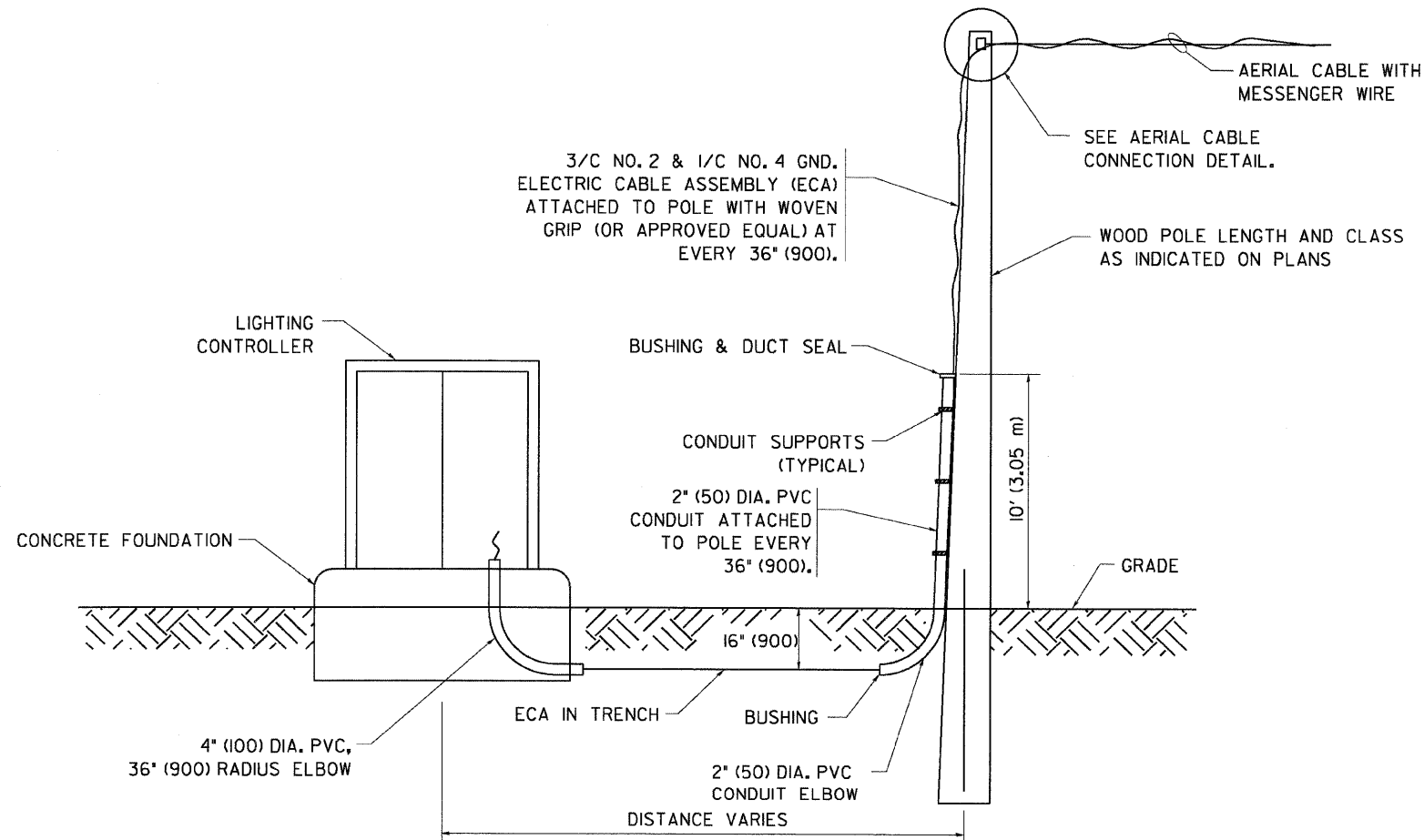
AERIAL CABLE CONNECTION DETAIL
N.T.S.



AERIAL CABLE ATTACHED TO STRUCTURE
NOT TO SCALE

NOTES:

1. ALL DIMENSIONS IN INCHES (MILLIMETERS) UNLESS OTHERWISE INDICATED.
2. SEE PROPOSED LIGHTING PLAN FOR CONDUIT, CABLE AND ROUTING.
3. THE CONTRACTOR SHALL PROVIDE INTERMEDIATE SUPPORTS TO MAINTAIN MINIMUM CLEARANCES. REFER TO AERIAL AERIAL CABLE ATTACHED TO STRUCTURE DETAIL.
4. COST OF SPLICES AND MOUNTING HARDWARE SHALL BE INCLUDED IN THE UNIT PRICE FOR AERIAL CABLE.



WOOD POLE TO LIGHTING CONTROLLER WIRING CONNECTION DETAIL
N.T.S.

BOWMAN, BARRETT & ASSOCIATES INC.
CONSULTING ENGINEERS
Chicago, Illinois
312.228.0100
www.bbandainc.com



FILE NAME = D160C05-shr-lightdet23.dgn

USER NAME = default

DESIGNED -

DRAWN -

CHECKED -

DATE -

REVISED - 01/01/07

REVISED -

REVISED -

REVISED -

**STATE OF ILLINOIS
DEPARTMENT OF TRANSPORTATION**

TEMPORARY AERIAL CABLE INSTALLATION

SCALE: NTS SHEET NO. 8 OF 12 SHEETS STA. N/A TO STA. N/A

REVISIONS	
NAME	DATE

ILLINOIS DEPARTMENT OF TRANSPORTATION

**TEMPORARY AERIAL
CABLE INSTALLATION**

SCALE: VERT.
HORIZ.
DATE: 1/17/2007

DRAWN BY
CHECKED BY

F.A. R.T.E.	SECTION	COUNTY	TOTAL SHEETS	SHEET NO.
0353	0303.1B-1	COOK	91	41
BE-801			CONTRACT NO. 60C05	
FED. ROAD DIST. NO.		ILLINOIS FED. AID PROJECT		

s:\p18\05_cad\us36\add\sheet\160C05-shr-lightdet23.dgn