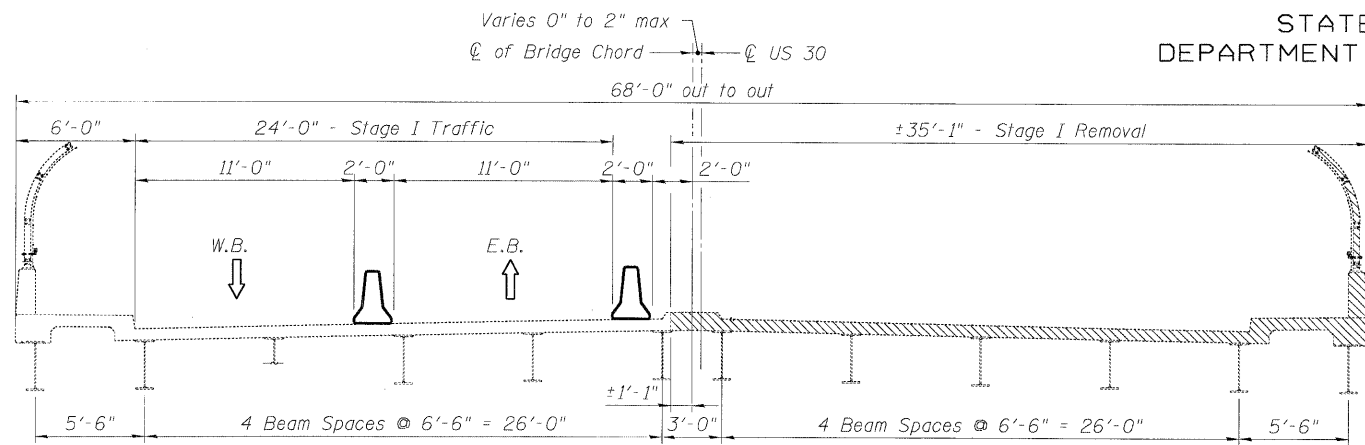
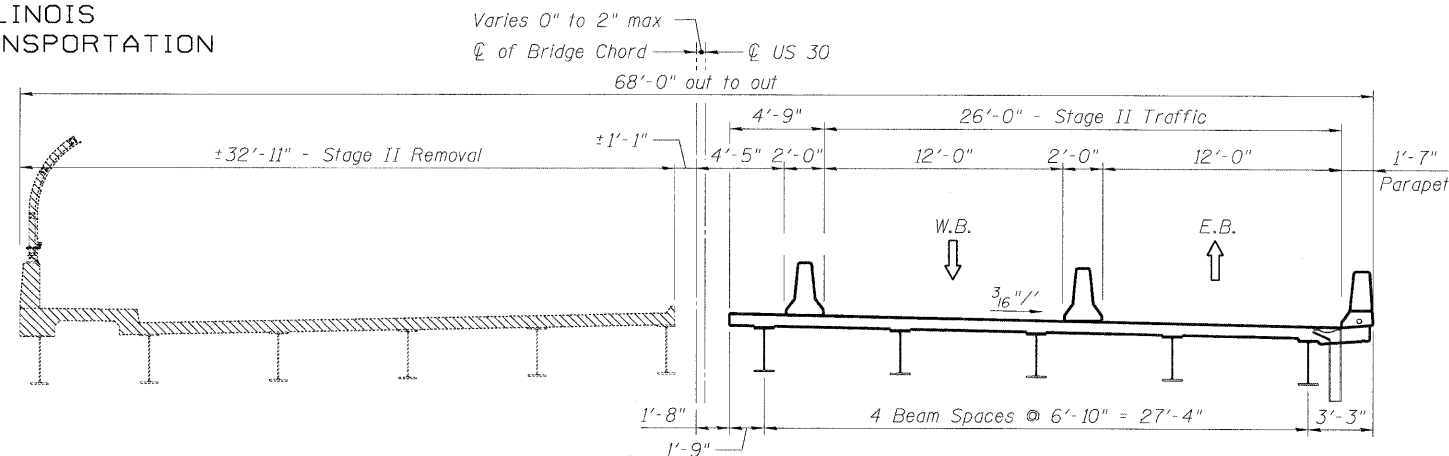


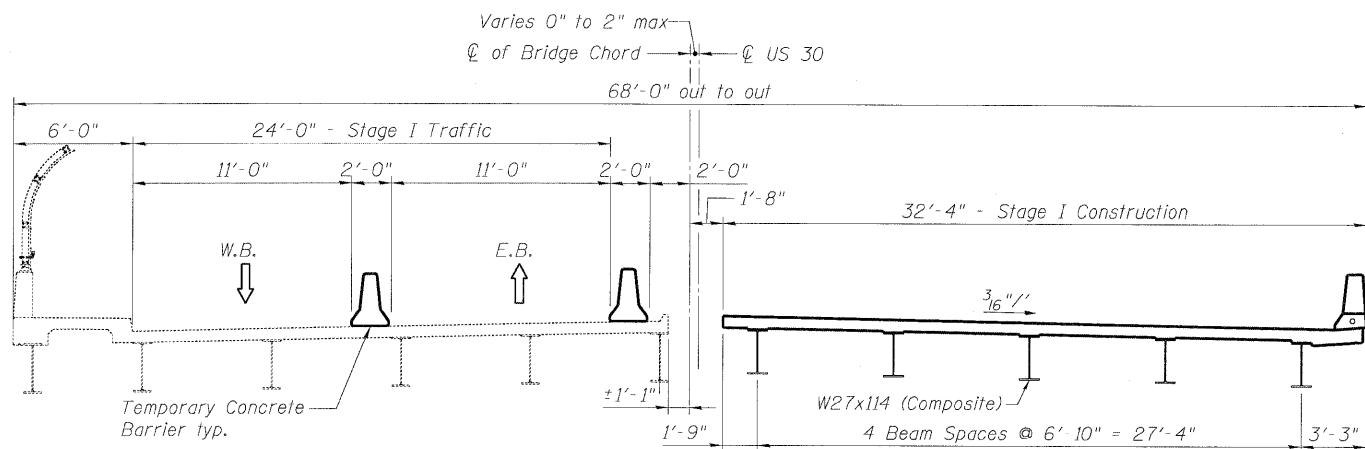
STATE OF ILLINOIS
DEPARTMENT OF TRANSPORTATION



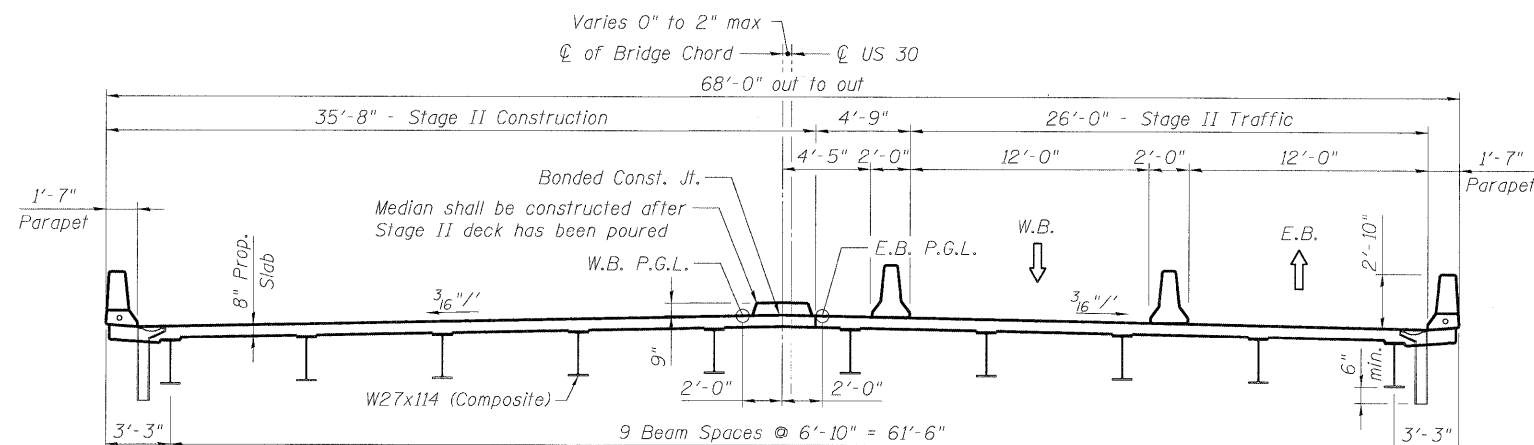
STAGE I REMOVAL



STAGE II REMOVAL

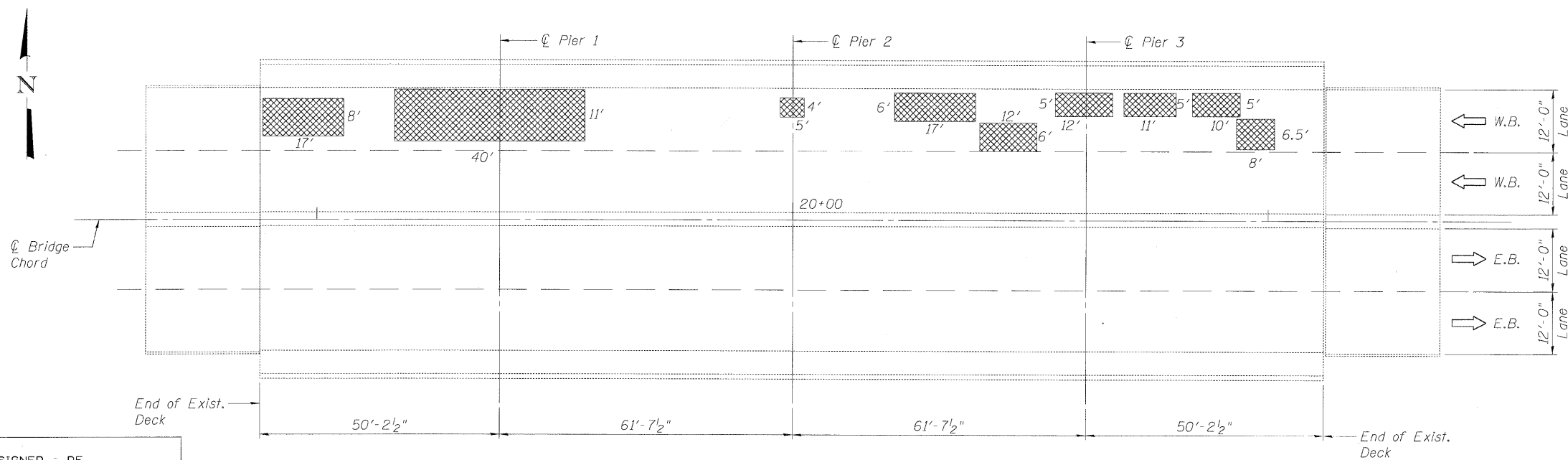


STAGE I CONSTRUCTION



STAGE II CONSTRUCTION

For final dimensions see sheet S-10 of S-30.



PRESTAGE DECK SLAB REPAIR (PARTIAL DEPTH)

NOTES

1. Cross section views are looking east.
2. Removal of existing Bridge Mounted Fence shall be included in the cost of Removal of Existing Superstructures.
3. Longitudinal removal line shall follow existing beam flange.
4. See MOT plans for pre-stage traffic configuration during deck patching operations.

LEGEND

- Indicates Removal of Existing Superstructures
- Indicates Deck Slab Repair (Partial Depth)

DESIGNED	DF
CHECKED	TAH
DRAWN	LAM
CHECKED	DF

BOWMAN, BARRETT & ASSOCIATES INC.
CONSULTING ENGINEERS
Chicago, Illinois
312.228.0100
www.bbainc.com
Job No. 910



SHEET NO. S-3
S-30 SHEETS

F.A.P RTE.	SECTION	COUNTY	TOTAL SHEETS	SHEET NO.
0353	0303.1B-1	COOK	91	48
SN 016-0275		CONTRACT NO. 60C05		
FED. ROAD DIST. NO.		ILLINOIS FED. AID PROJECT		

CONSTRUCTION STAGING AND DETAILS
STRUCTURE NO. 016-0275

5/16/2009 9:49:27 AM S:\9005\0303\016-0275-60C05-003-48.dwg