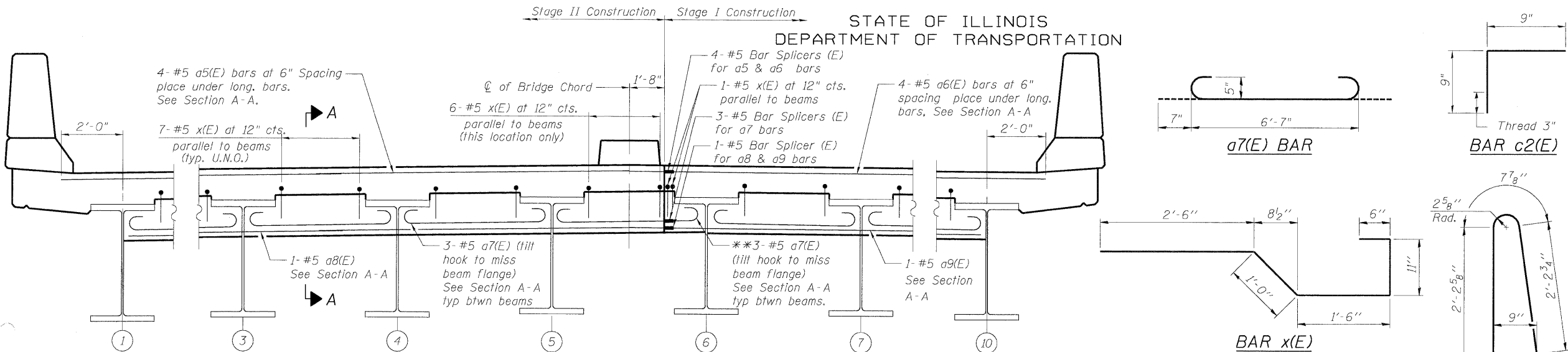
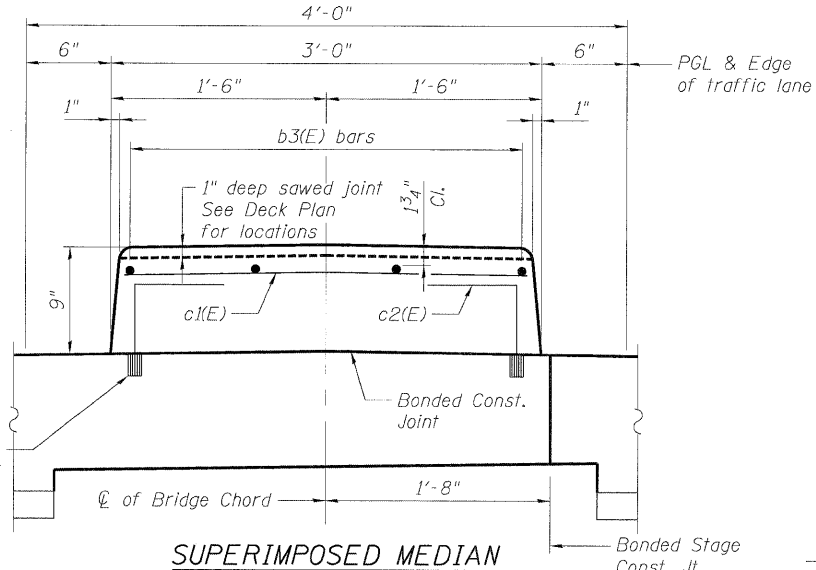
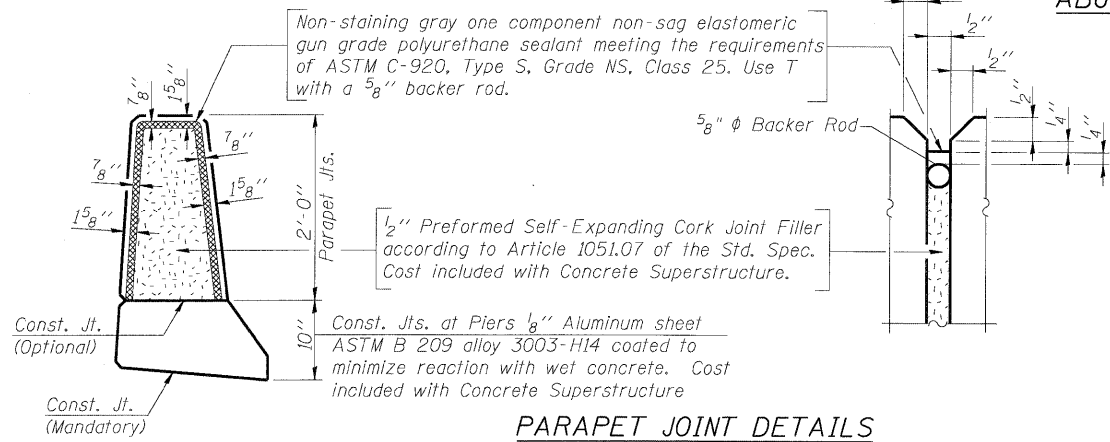


STATE OF ILLINOIS
DEPARTMENT OF TRANSPORTATION



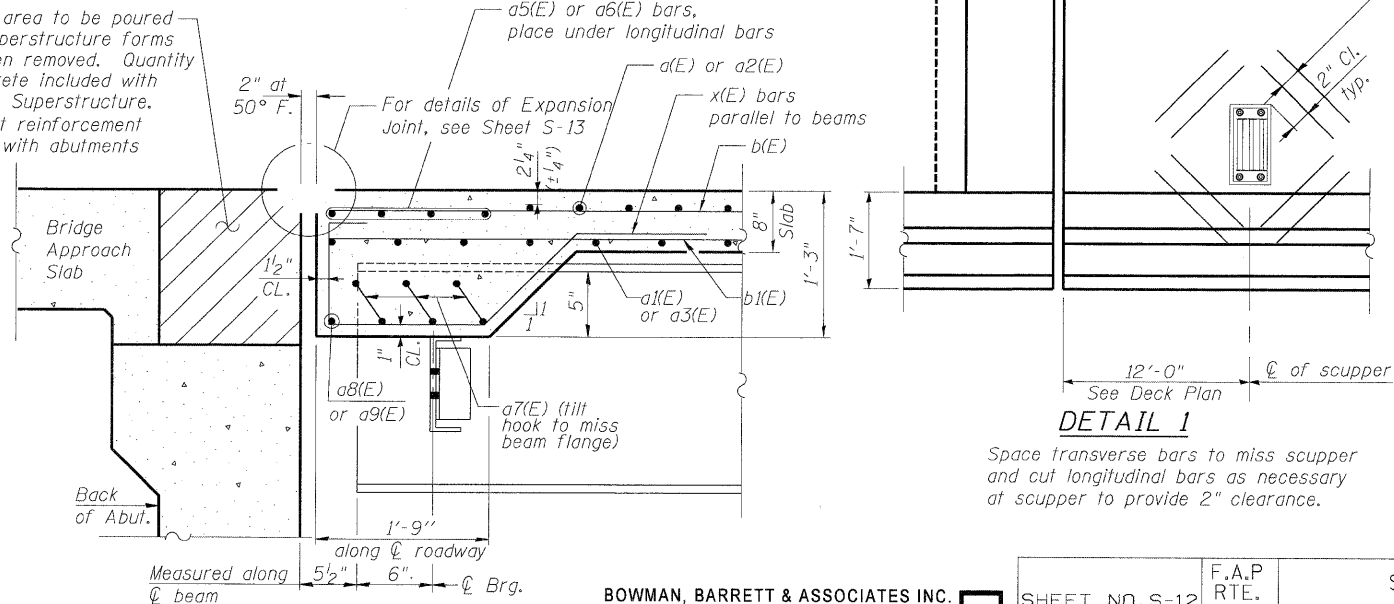
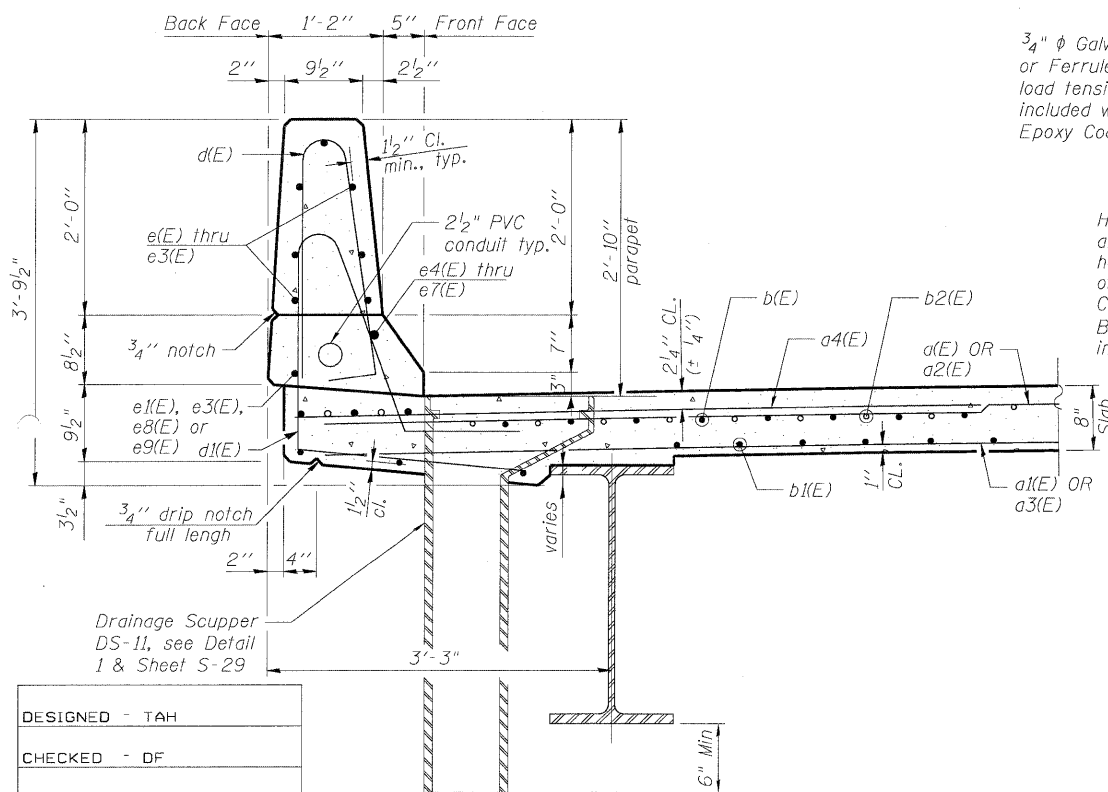
ABUTMENT DIAPHRAGM ELEVATION (Looking East)

** Contractor to cut a7(E) bars at stage line and use remainder in Stage II.



3/4" φ Galvanized expansion anchor or Ferrule Loop Slab Insert (Proof load tension = 6,600 LBS). Cost included with Reinforcement Bars, Epoxy Coated.

Hatched area to be poured after superstructure forms have been removed. Quantity of concrete included with Concrete Superstructure. Block out reinforcement included with abutments



SUPERSTRUCTURE
BILL OF MATERIAL

Bar	No.	Size	Length	Shape
a1(E)	448	#5	31'-10"	
a2(E)	269	#5	31'-4"	
a3(E)	269	#5	34'-9"	
a4(E)	896	#6	6'-0"	
a5(E)	8	#5	31'-1"	
a6(E)	8	#5	34'-5"	
a7(E)	54	#5	7'-9"	
a8(E)	2	#5	28'-9"	
a9(E)	2	#5	32'-1"	
a10(E)	32	#5	1'-6"	
b(E)	497	#5	33'-10"	
b1(E)	488	#5	29'-11"	
b2(E)	207	#6	34'-0"	
b3(E)	36	#5	26'-10"	
c1(E)	224	#5	2'-8"	
c2(E)	448	#5	1'-6"	
d(E)	500	#5	5'-7"	
d1(E)	488	#5	7'-4"	
d2(E)	6	#6	4'-5"	
d3(E)	10	#6	8'-11"	
e(E)	84	#4	13'-11"	
e1(E)	64	#4	7'-5"	
e2(E)	84	#4	15'-0"	
e3(E)	32	#4	7'-8"	
e4(E)	8	#8	23'-5"	
e5(E)	8	#8	7'-5"	
e6(E)	8	#8	25'-3"	
e7(E)	4	#8	7'-8"	
e8(E)	8	#4	22'-0"	
e9(E)	8	#4	23'-9"	
x(E)	128	#5	6'-5"	
Reinforcement Bars Epoxy Coated		Pound	111950	
Concrete Superstructure		Cu. Yds.	478	
Bridge Deck Grooving		Sq Yd	1435	
Protective Coat		Sq Yd	1842	
Bar Splicers		Each	733	

* Includes 12 d(E) bars for parapet over abutment

Notes:

1. Bars Indicated 20 x 3-#5 etc. indicates 20 lines of bars with 3 lengths per line.
2. All edges shall have standard 3/4" chamfer except as noted.
3. The Contractor can pour the deck end to end, starting at one abutment, as long as a hold down is provided at the opposite abutment from the start of pour. The hold down shall withstand a force of 2 kips. For all other pouring sequences, the Contractor shall submit details & calculations stamped by an Illinois licensed Structural Engineer to the Engineer for review & approval.

SUPERSTRUCTURE DETAILS II
STRUCTURE NO. 016-0275

DESIGNED - TAH
CHECKED - DF
DRAWN - TAH
CHECKED - DF

BOWMAN, BARRETT & ASSOCIATES INC.
CONSULTING ENGINEERS
Chicago, Illinois
312.228.0100
www.bbainc.com
Job No. 910

SHEET NO. S-12
S-30 SHEETS

F.A.P RTE. 0353	SECTION 0303.1B-1	COUNTY COOK	TOTAL SHEETS 91	SHEET NO. 57
SN 016-0275		CONTRACT NO. 60C05		
FED. ROAD DIST. NO.		ILLINOIS FED. AID PROJECT		