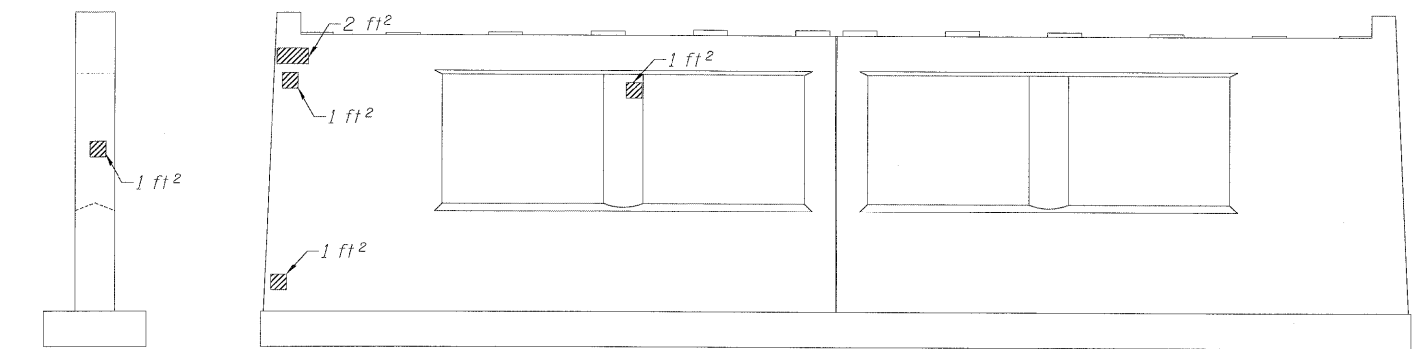
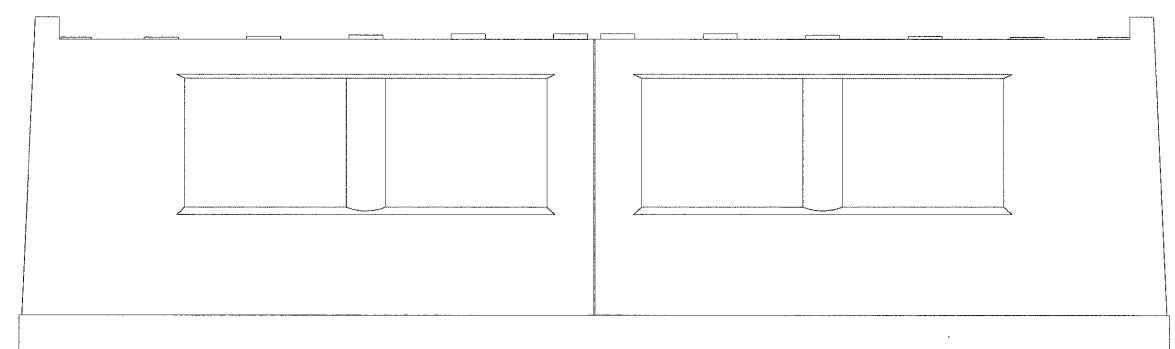


STATE OF ILLINOIS
DEPARTMENT OF TRANSPORTATION

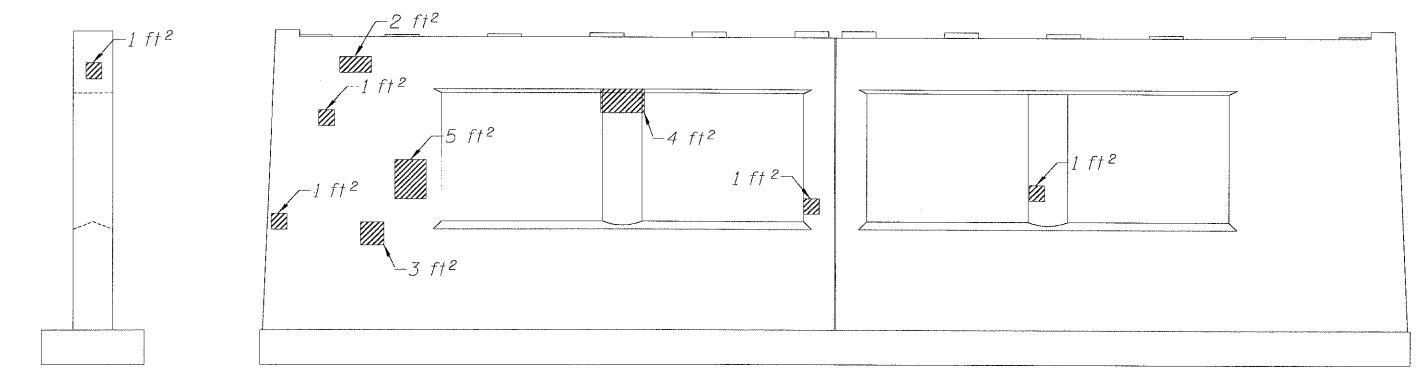


NORTH END

PIER 1
(Looking East)

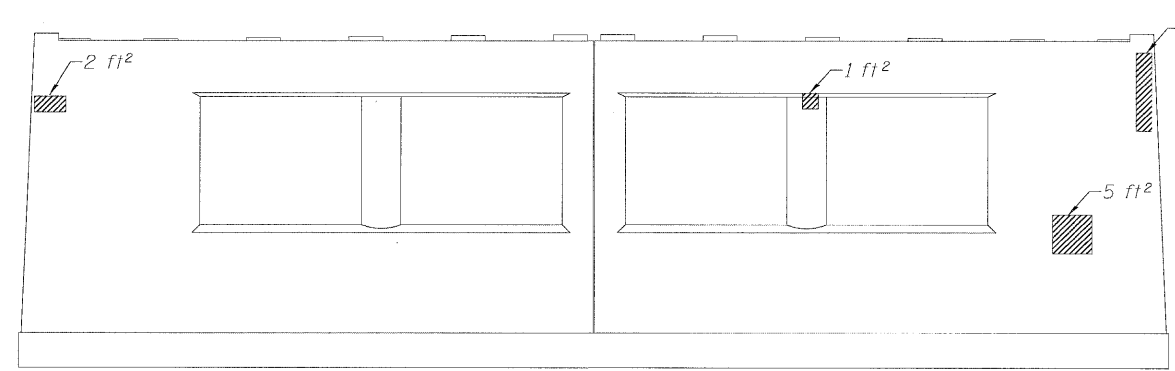


PIER 1
(Looking West)

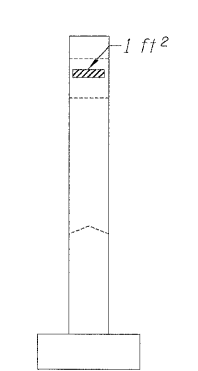


NORTH END

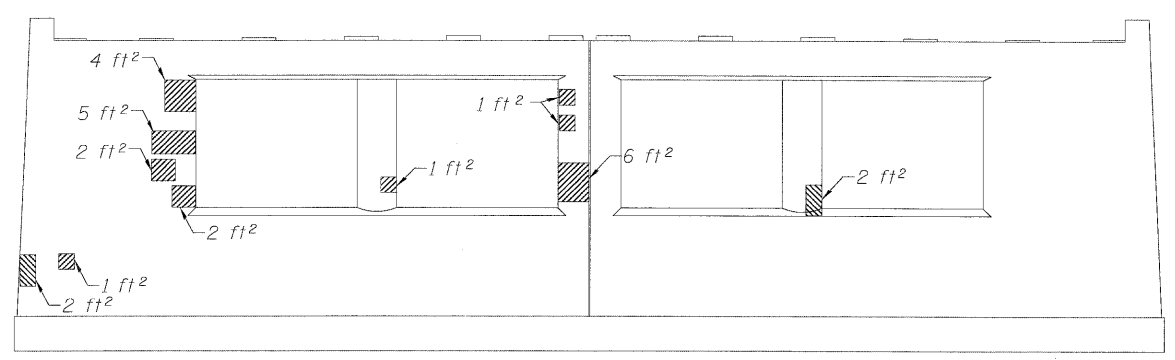
PIER 2
(Looking East)



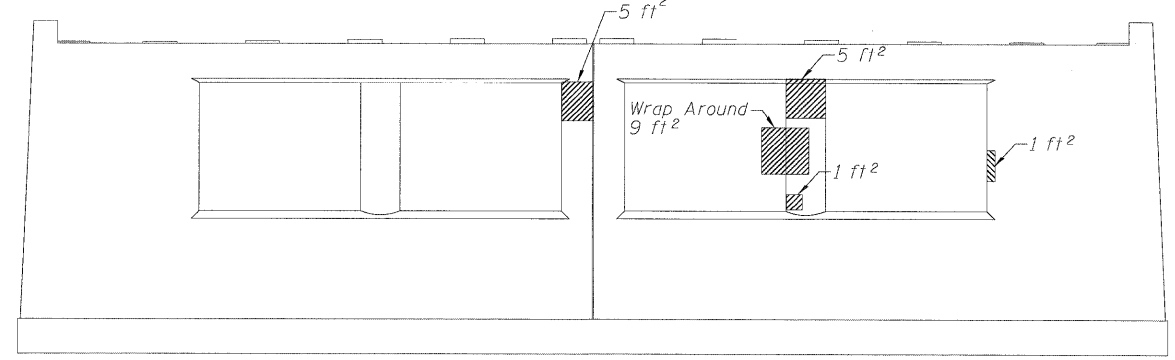
PIER 2
(Looking West)



SOUTH END



PIER 3
(Looking East)



PIER 3
(Looking West)

BILL OF MATERIAL

ITEM	UNIT	QUANTITY
Structural Repair of Concrete (Depth equal to or less than 5")	Sq. Ft.	87

LEGEND

= Structural Repair of Concrete

DESIGNED - TAH
CHECKED - DF
DRAWN - LAM
CHECKED - TAH

PIER REPAIR DETAILS
STRUCTURE NO. 016-0275

BOWMAN, BARRETT & ASSOCIATES INC.
CONSULTING ENGINEERS
Chicago, Illinois
312.228.0100
www.bbandainc.com
Job. No. 910



SHEET NO. S-24 S-30 SHEETS	F.A.P RTE. 0353	SECTION 0303.1B-1	COUNTY COOK	TOTAL SHEETS 91	SHEET NO. 69
	SN 016-0275		CONTRACT NO. 60C05		
FED. ROAD DIST. NO.		ILLINOIS FED. AID PROJECT			

5/6/2008 9:20:33 AM S:\PROJECTS\CAD\016-0275-024-RP5.dwg