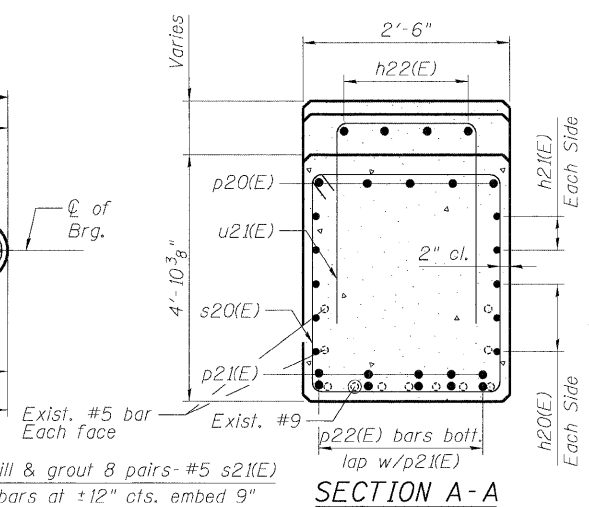
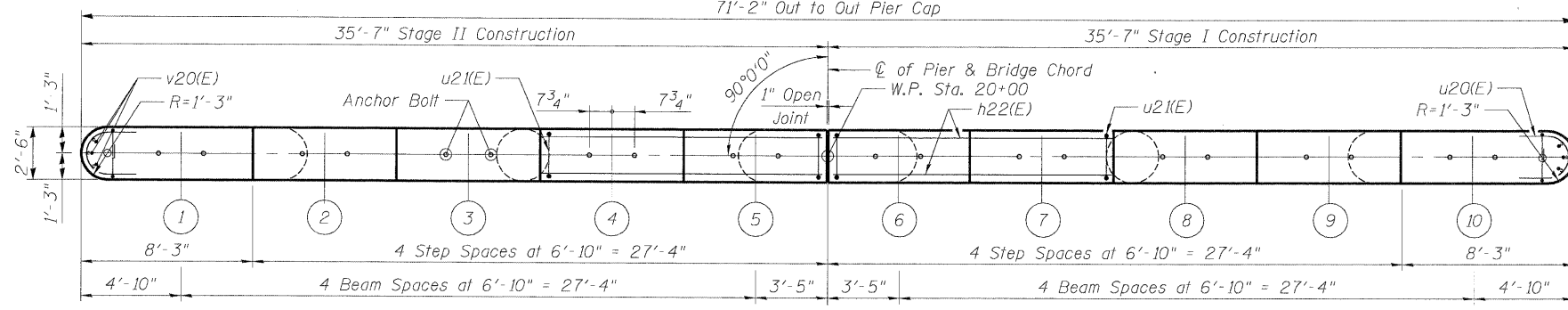
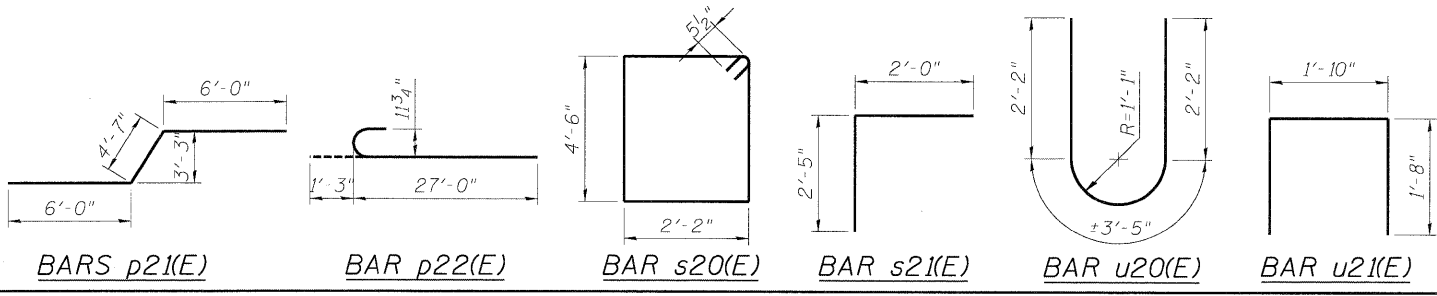
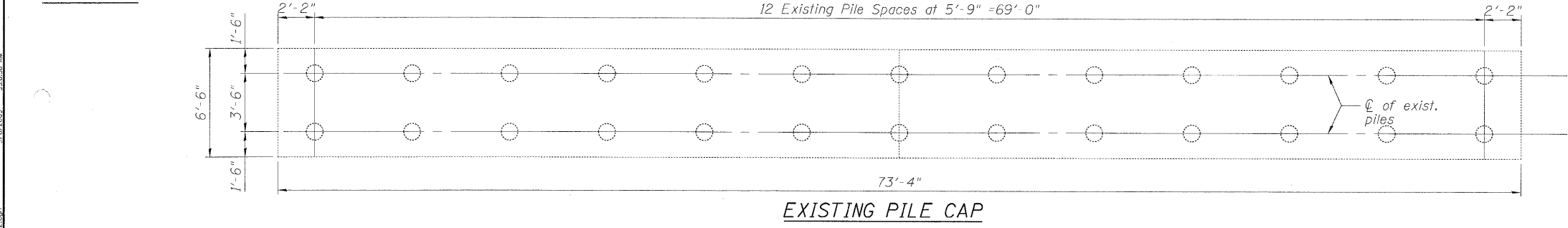
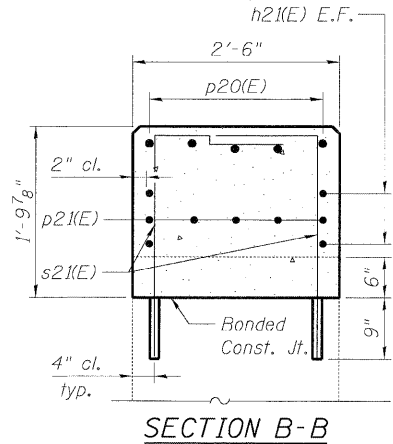
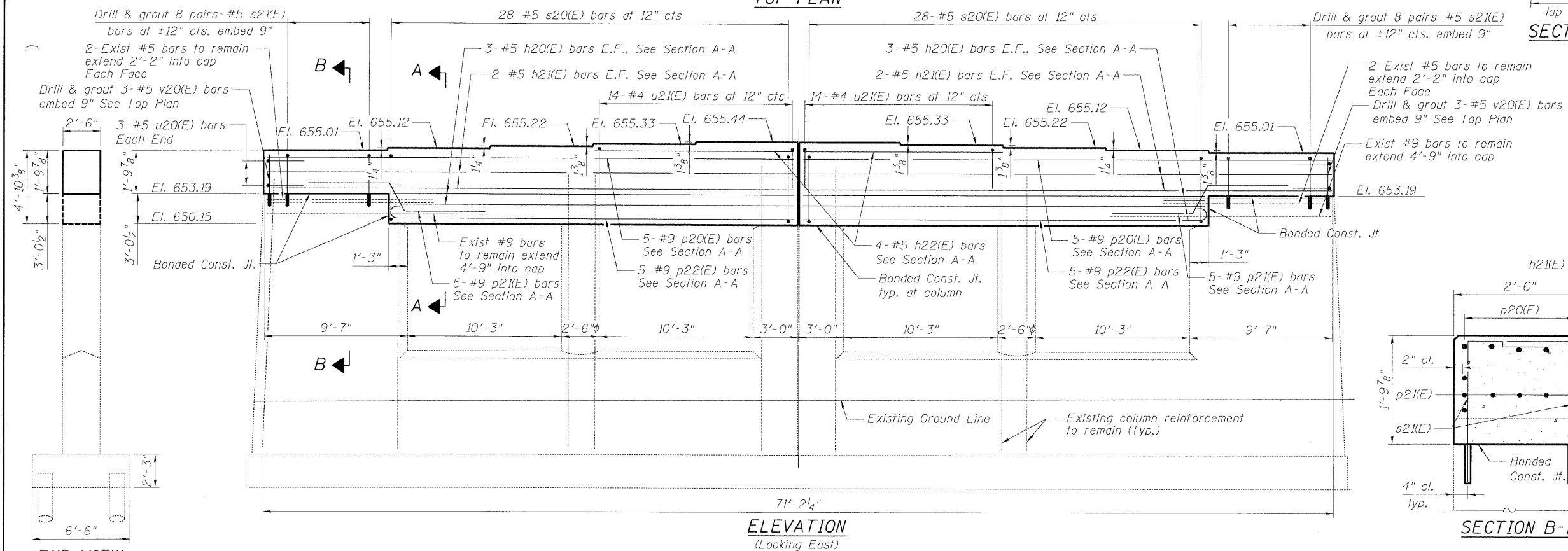


STATE OF ILLINOIS
DEPARTMENT OF TRANSPORTATION

PIER 2
BILL OF MATERIAL



Bar	No.	Size	Length	Shape
h20(E)	12	#5	26'-10"	
h21(E)	8	#5	34'-1"	
h22(E)	8	#5	13'-4"	
p20(E)	10	#9	34'-1"	
p21(E)	10	#9	16'-7"	
p22(E)	10	#9	28'-3"	
s20(E)	56	#5	14'-3"	
s21(E)	32	#5	4'-5"	
u20(E)	6	#5	7'-9"	
u21(E)	28	#4	5'-2"	
v20(E)	6	#5	2'-5"	
			Cu. Yd.	29.1
Concrete Structures			Pound	4510
Reinforcement Bars, Epoxy Coated			Sq. Ft.	935



- Notes:
- Space reinforcement in cap to miss anchor bolts.
 - Existing reinforcement incorporated into new construction shall be cleaned and straightened. Cost included with Concrete Removal.
 - All edges shall have standard 3/4" chamfers except as noted.
 - Pour steps monolithically with cap.
 - All construction joints shall be bonded.
 - All existing vertical reinforcement in columns shall remain. Existing column reinforcement shall extend into cap min length of 2'-2".
 - Existing Horizontal bottom 7-#9 bars shall lap with p(E) bars with a minimum lap of 4'-9".
 - For exterior columns, saw cut & remove concrete to elevation 653.19. Retain existing vertical column bars & remove existing top 7-#9 bars. On the vertical face sawcut & remove 1'-3" of concrete on interior face as shown on Elevation view. Retain existing column reinforcement & horizontal 7-#9 bars.
 - Concrete Sealer shall be applied to all surfaces of new concrete.
 - Drill & epoxy grout #5s21(E) & v20(E) bars according to section 584 of the std. specs.
 - Bar p21(E) should maintain min 2" clearance from edge of concrete.
 - For anchor bolts see bearing detail Sheet S-18 of S-30.

PIER 2 CAP MODIFICATIONS
STRUCTURE NO. 016-0275

DESIGNED - TAH
CHECKED - DF
DRAWN - LAM
CHECKED - TAH

BOWMAN, BARRETT & ASSOCIATES INC.
CONSULTING ENGINEERS
Chicago, Illinois
312.228.0100
www.bbainc.com
Job No. 910

SHEET NO. S-26 S-30 SHEETS	F.A.P. RTE. 0353	SECTION 0303.1B-1	COUNTY COOK	TOTAL SHEETS 91	SHEET NO. 71
	SN 016-0275		CONTRACT NO. 60C05		
FED. ROAD DIST. NO. ILLINOIS FED. AID PROJECT					