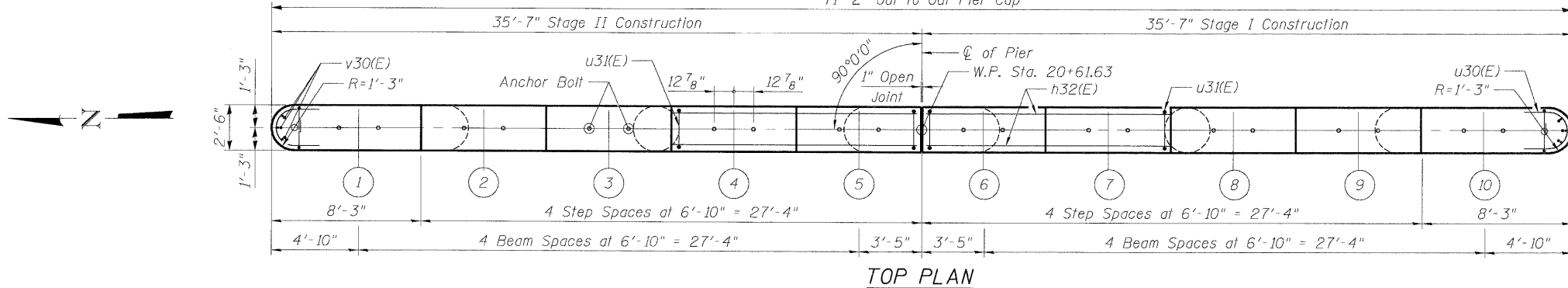
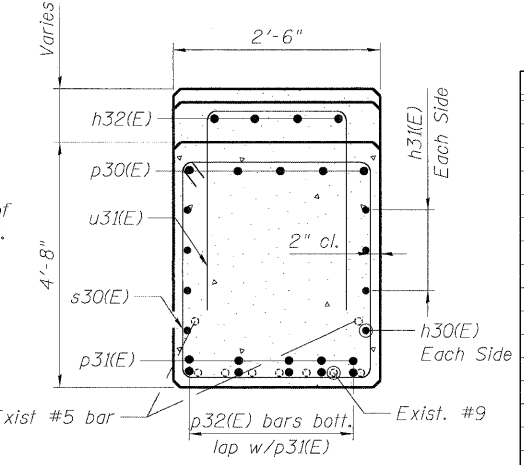


STATE OF ILLINOIS  
DEPARTMENT OF TRANSPORTATION



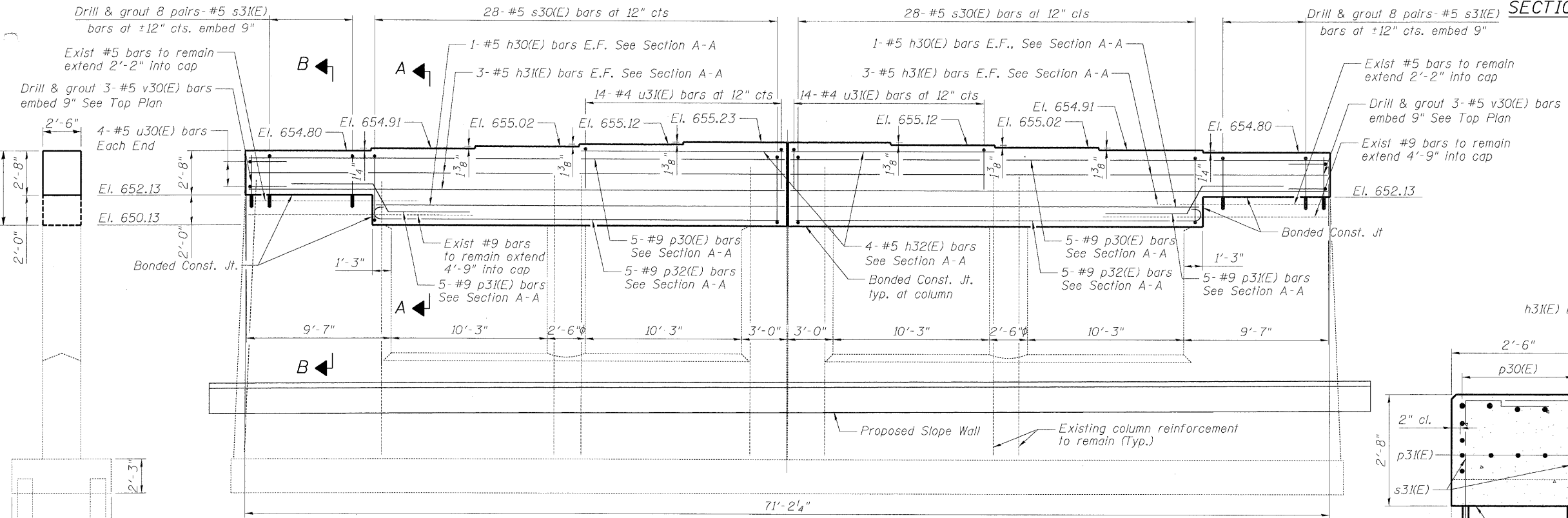
TOP PLAN



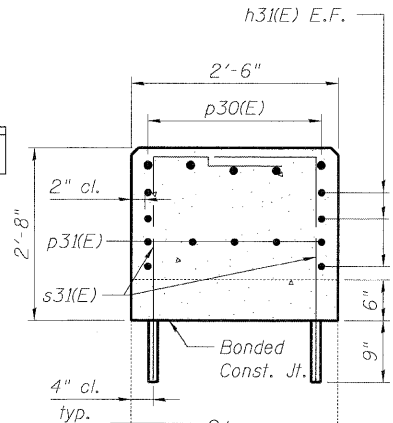
SECTION A-A

PIER 3  
BILL OF MATERIAL

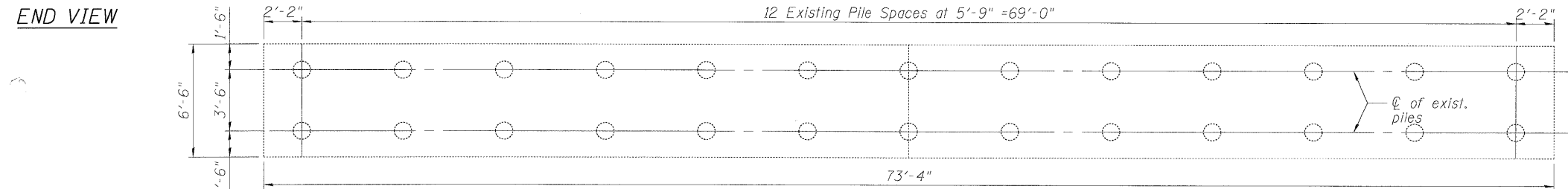
Bar	No.	Size	Length	Shape
h30(E)	4	#5	27'-0"	
h31(E)	12	#5	34'-1"	
h32(E)	8	#5	13'-4"	
p30(E)	10	#9	34'-1"	
p31(E)	10	#9	15'-2"	
p32(E)	10	#9	28'-3"	
s30(E)	56	#5	13'-9"	
s31(E)	32	#5	5'-3"	
u30(E)	8	#5	7'-9"	
u31(E)	28	#4	5'-2"	
v30(E)	6	#5	3'-3"	
Concrete Structures	Cu. Yd.		30.2	
Reinforcement Bars, Epoxy Coated	Pound		4450	
Concrete Sealer	Sq. Ft.		940	



ELEVATION  
(Looking East)



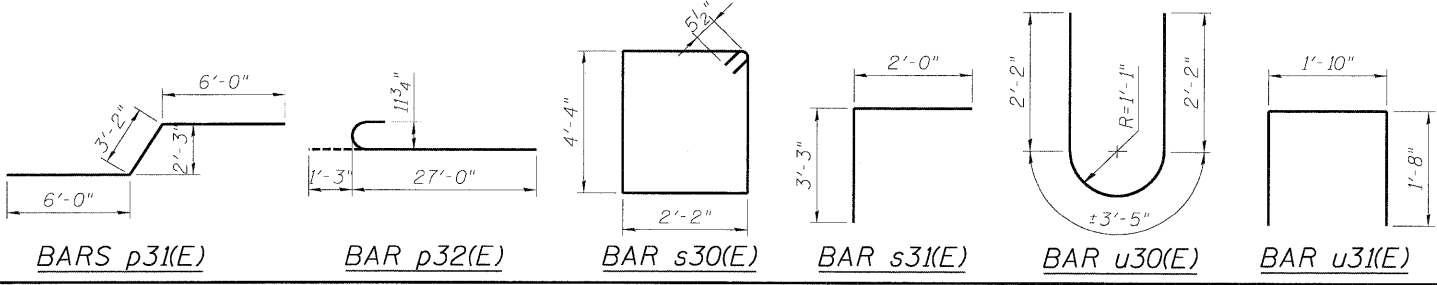
SECTION B-B



EXISTING PILE CAP

END VIEW

DESIGNED - TAH
CHECKED - DF
DRAWN - LAM
CHECKED - TAH



- Notes:
- Space reinforcement in cap to miss anchor bolts.
  - Existing reinforcement incorporated into new construction shall be cleaned and straightened. Cost included with Concrete Removal.
  - All edges shall have standard  $\frac{3}{4}$ " chamfers except as noted.
  - Pour steps monolithically with cap.
  - All construction joints shall be bonded.
  - All existing vertical reinforcement in columns shall remain. Existing column reinforcement shall extend into cap min length of 2'-2".
  - Existing Horizontal bottom 7-#9 bars shall lap with p(E) bars with a minimum lap of 4'-9".
  - For exterior columns, saw cut & remove concrete to elevation 652.13, Retain existing vertical column bars & remove existing top 7-#9 bars. On the vertical face sawcut & remove 1'-3" of concrete on interior face as shown on Elevation view. Retain existing column reinforcement & horizontal 7-#9 bars.
  - Concrete Sealer shall be applied to all surfaces of new concrete.
  - Drill & epoxy grout #5s31(E) & h30(E) bars according to section 584 of the std. specs.
  - Bar p31(E) should maintain min 2" clearance from edge of concrete.
  - For anchor bolts see bearing detail Sheet S-18 of S-30.

PIER 3 CAP MODIFICATIONS  
STRUCTURE NO. 016-0275

BOWMAN, BARRETT & ASSOCIATES INC.  
CONSULTING ENGINEERS  
Chicago, Illinois  
312.228.0100  
www.bbainc.com  
Job. No. 910

SHEET NO. S-27 S-30 SHEETS	F.A.P. RTE. 0353	SECTION 0303.1B-1	COUNTY COOK	TOTAL SHEETS 91	SHEET NO. 72
	SN 016-0275		CONTRACT NO. 60C05		
FED. ROAD DIST. NO.		ILLINOIS FED. AID PROJECT			