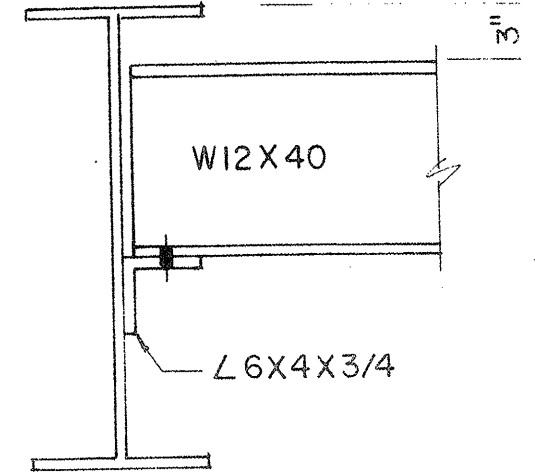
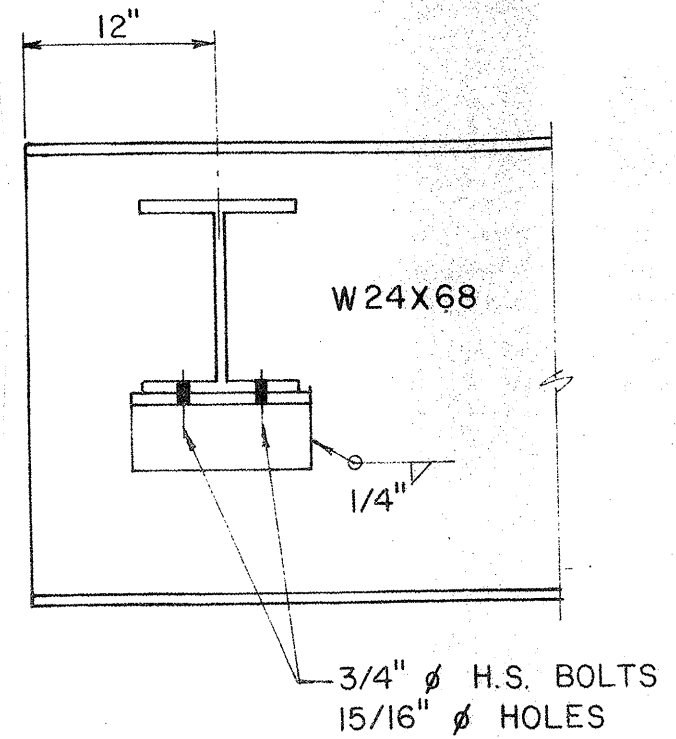
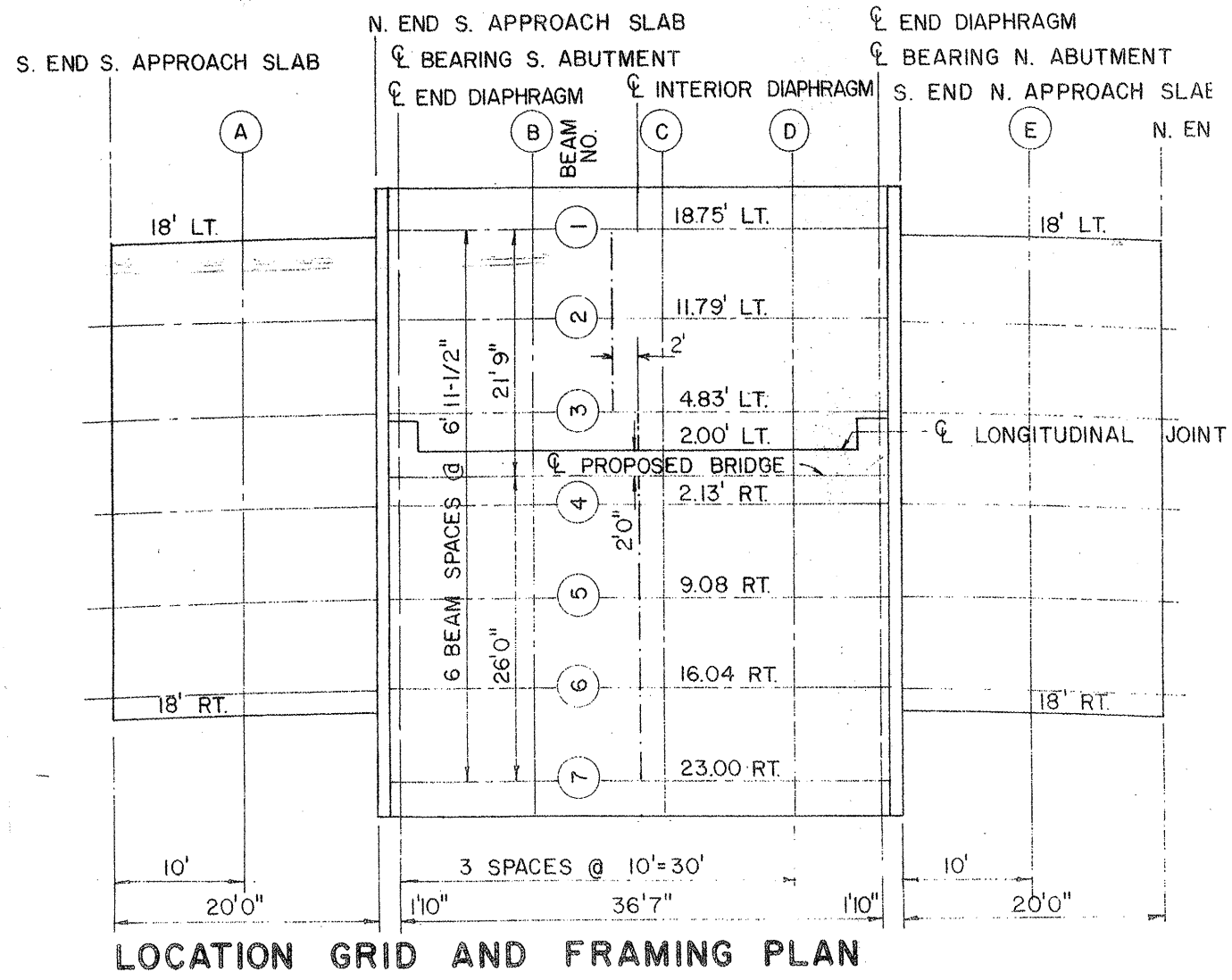
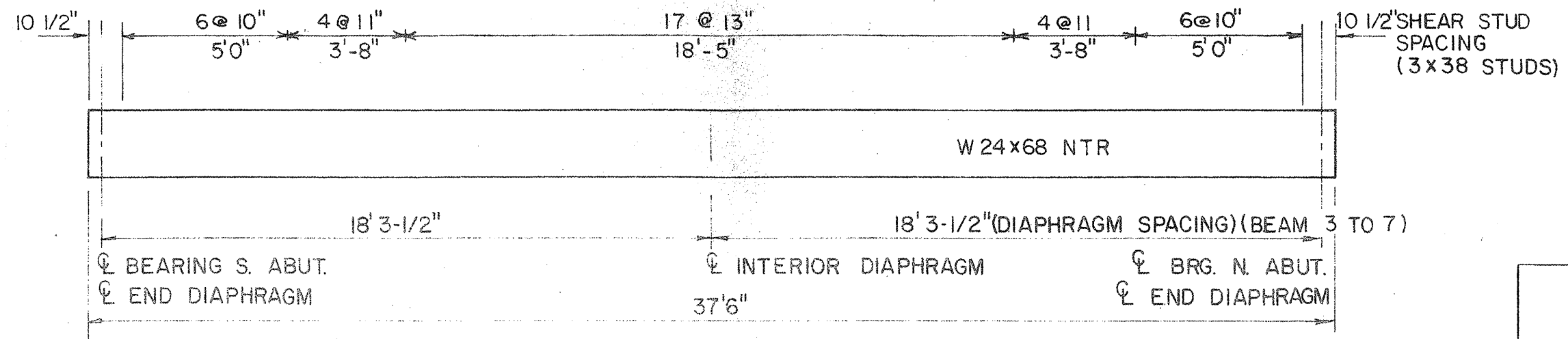


ROUTE	SECTION	COUNTY	TOTAL SHEETS	SHEET NUMBER
VARIOUS	2008-053 BP	VARIOUS	54	21

CONTRACT NO. 60F04



END DIAPHRAGM



BEAM ELEVATION

NTR INDICATES NOTCH TOUGHNESS REQUIREMENT

**LOCATION NO. 2**  
**EXIST. BRIDGE PLANS**  
**IL 31 OVER EDGEWOOD**  
**RAVINE SN 056-0016**