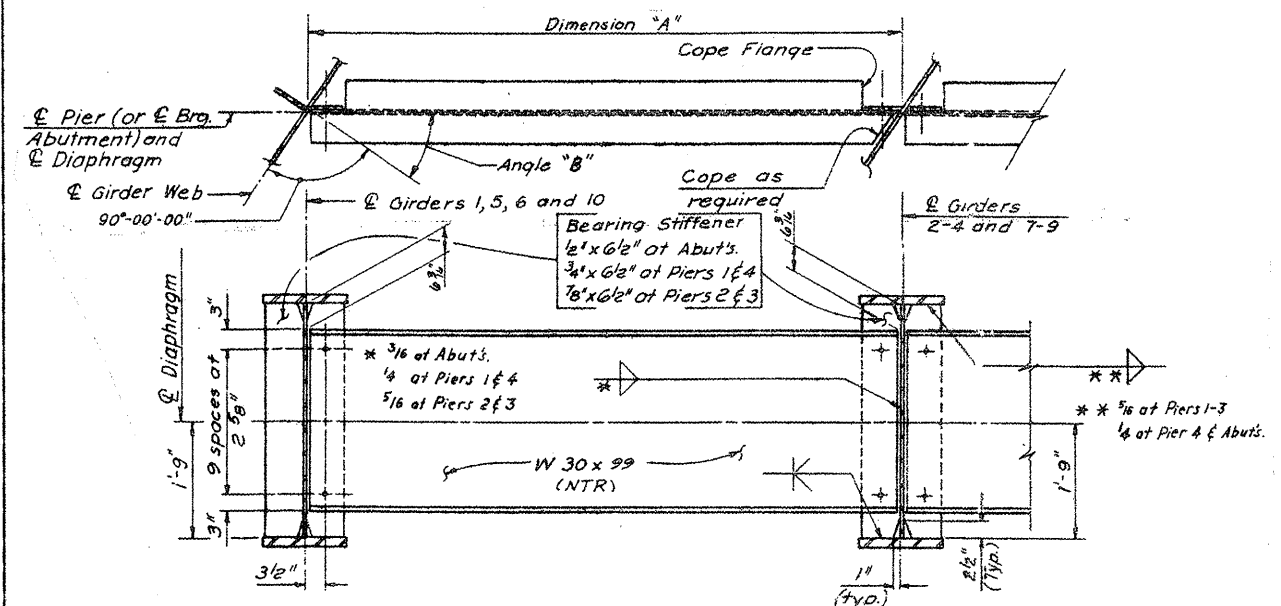
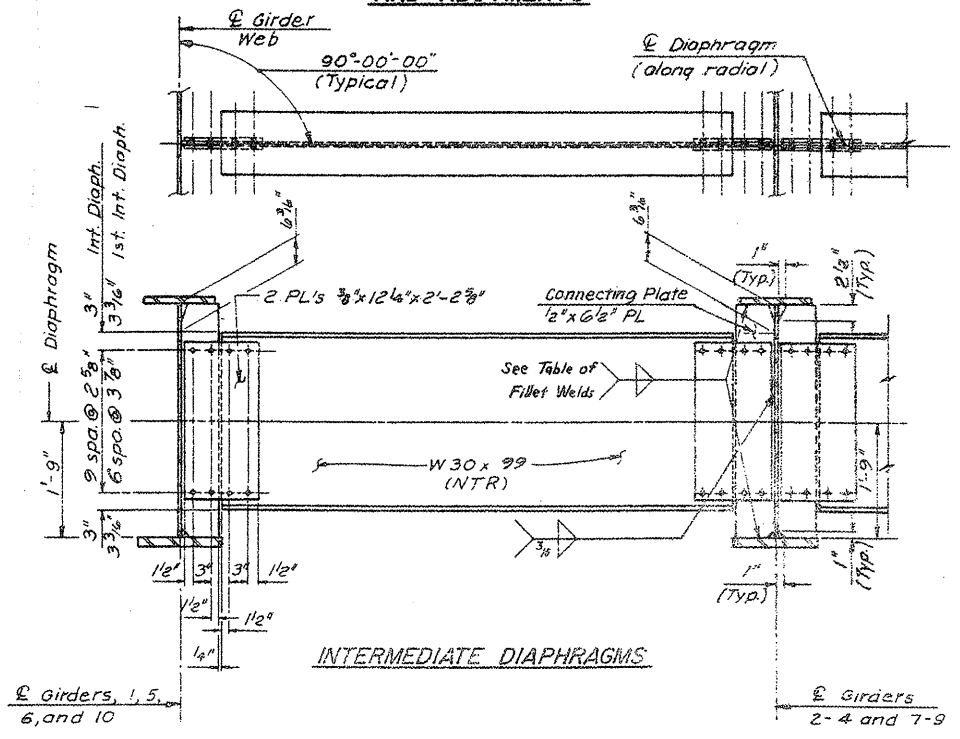


ROUTE VARIOUS	SECTION 2008-053 BP	COUNTY VARIOUS	TOTAL SHEETS 54	SHEET NUMBER 24
------------------	------------------------	-------------------	-----------------------	-----------------------

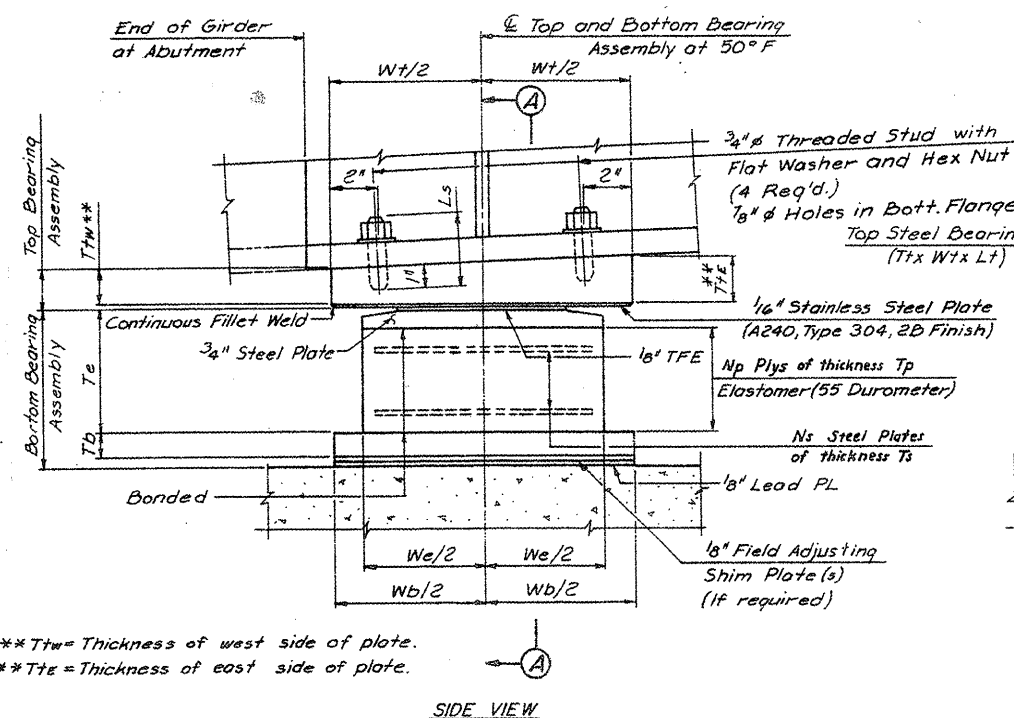
CONTRACT NO. 60F04



DIAPHRAGMS AT PIERS AND ABUTMENTS

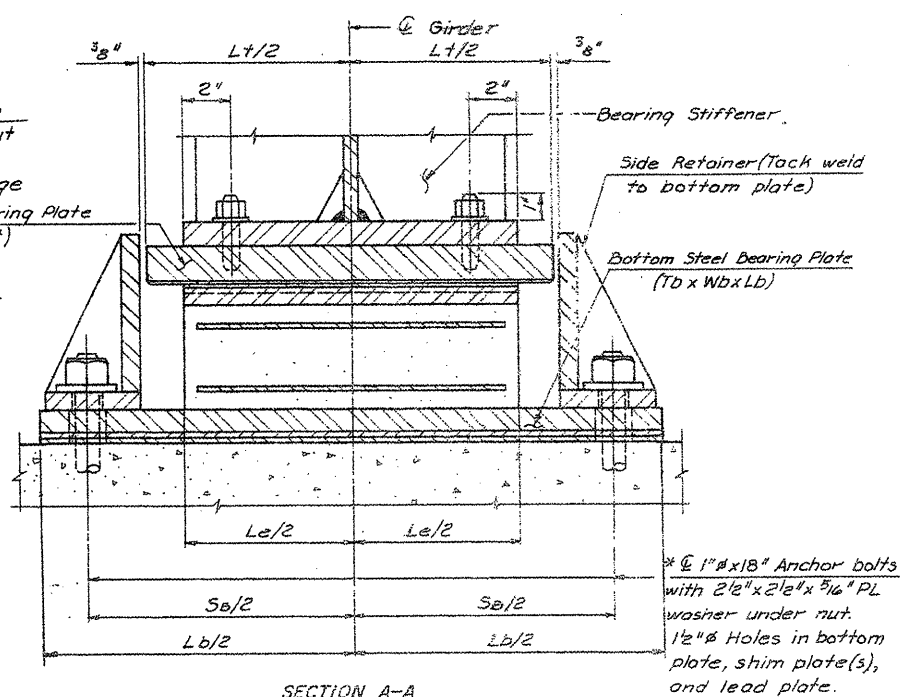


INTERMEDIATE DIAPHRAGMS



SIDE VIEW

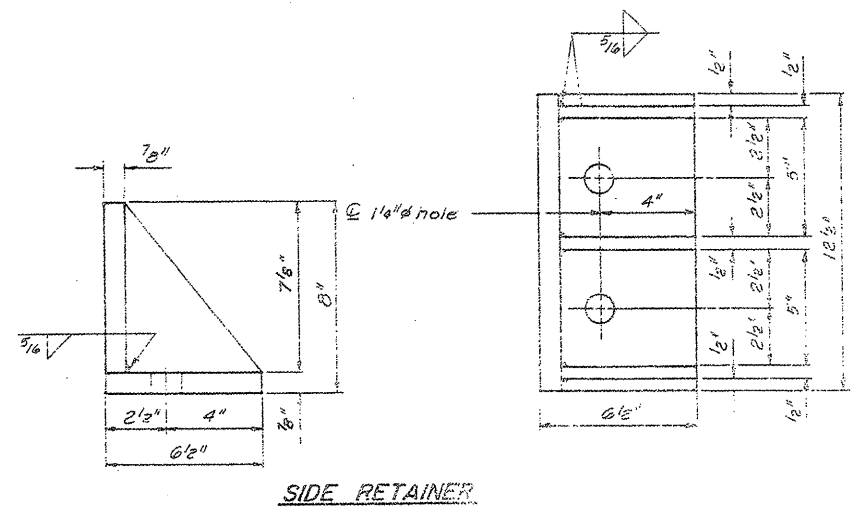
**Ttw = Thickness of west side of plate.
**Tte = Thickness of east side of plate.



SECTION A-A

TYPE II ELASTOMERIC EXPANSION BEARING DEVICE

(West and East Abutments and Piers 1, 3 and 4)



SIDE RETAINER

LOCATION NO. 3

EXIST. BRIDGE PLANS

IL 120 OVER FOX RIVER

SN 056-0049