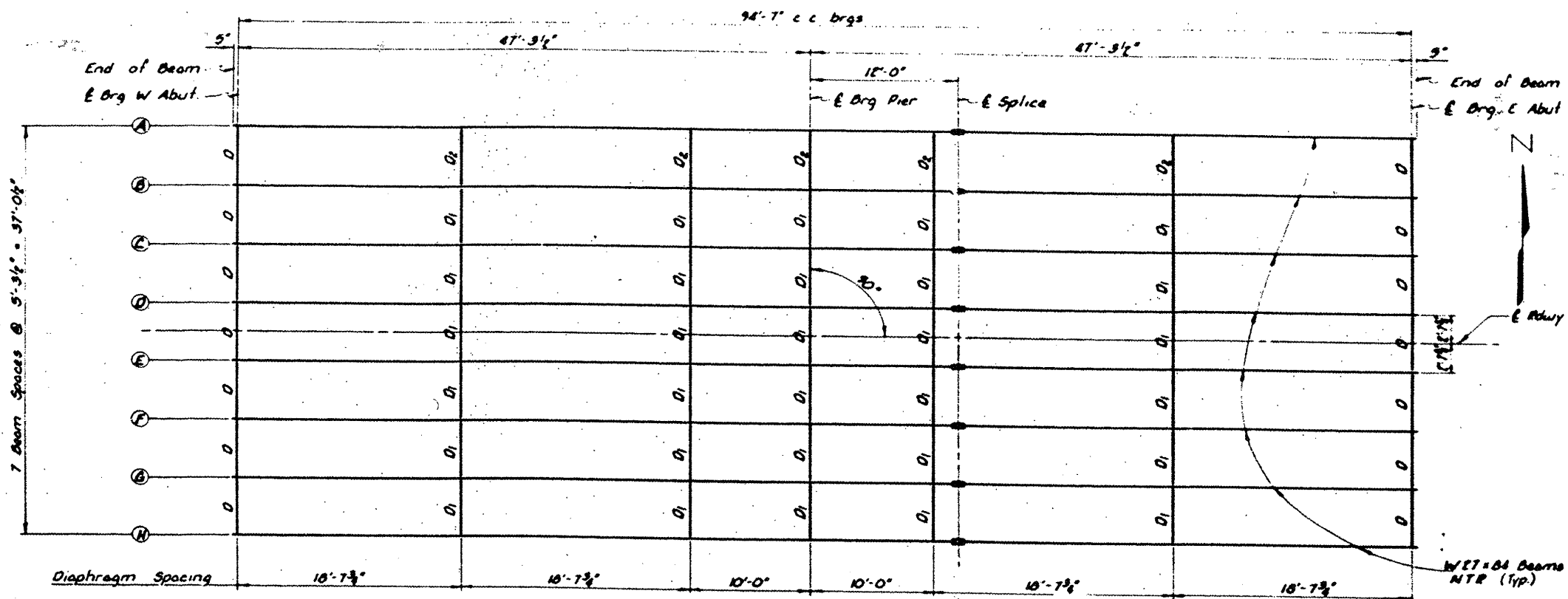
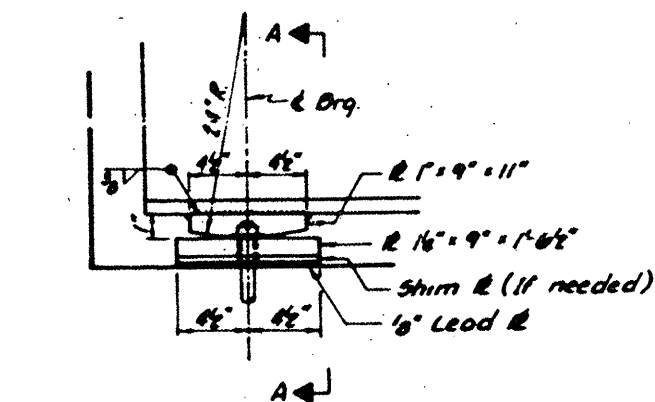
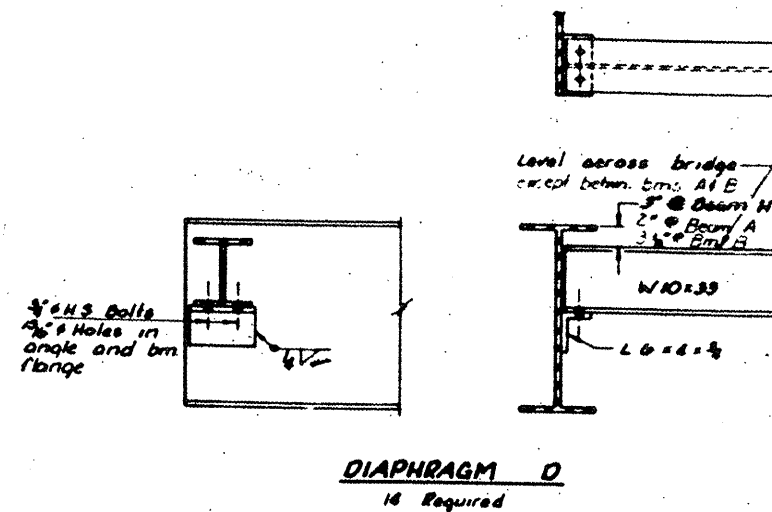


ROUTE	SECTION	COUNTY	TOTAL SHEETS	SHEET NUMBER
VARIOUS	2008-053 BP	VARIOUS	54	46

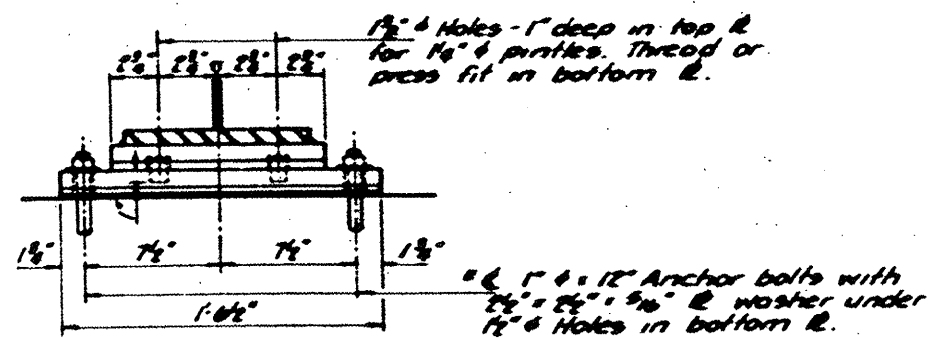
CONTRACT NO. 60F04



FRAMING PLAN

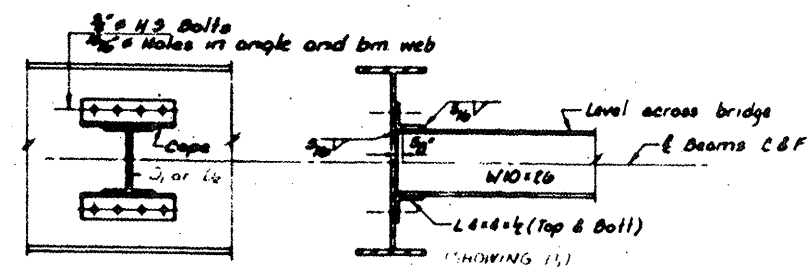


ELEVATION AT ABUTMENTS

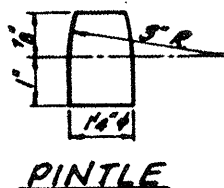


SECTION A-A

Note: Hardened washers shall be required over 1 1/2" holes. (E/Bolt)



DIAPHRAGMS D1, D2  
D1 = 30 Required, D2 = 5 Req'd



PINTLE

FIXED BEARING  
(16 Required)

**LOCATION NO. 10**

**EXIST. BRIDGE PLANS  
IL 53 OVER FORKED CREEK  
SN 099-0091**