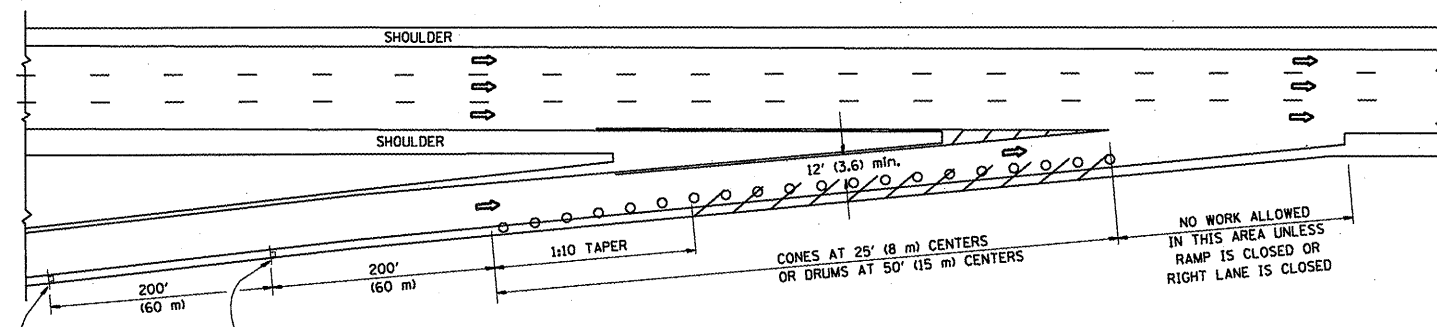
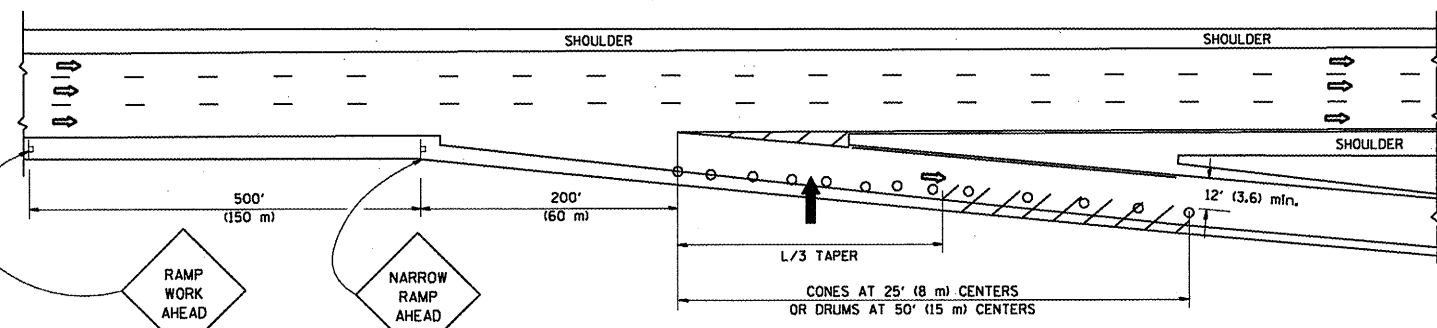


**PARTIAL RAMP CLOSURE DETAILS**

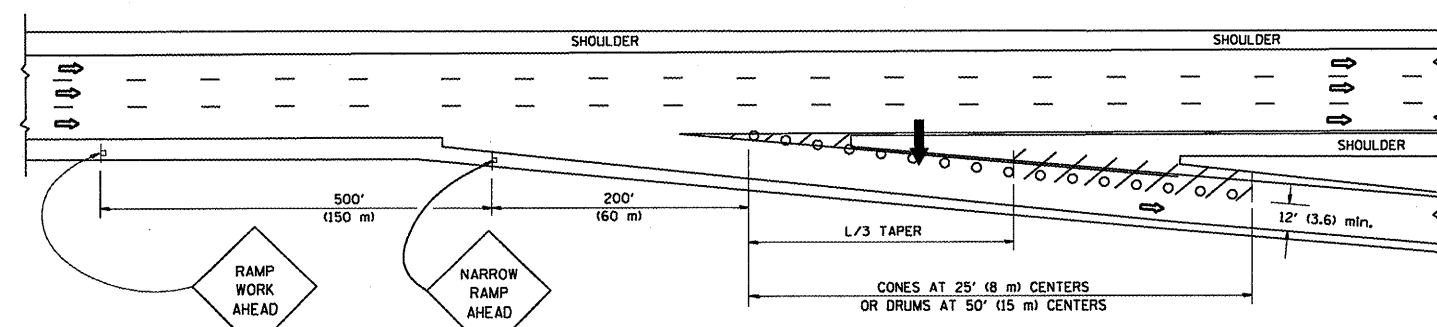
**SHOULDER CLOSURE DETAILS**



**TYPICAL ENTRANCE RAMP**



**TYPICAL EXIT RAMP**



**TYPICAL EXIT RAMP**

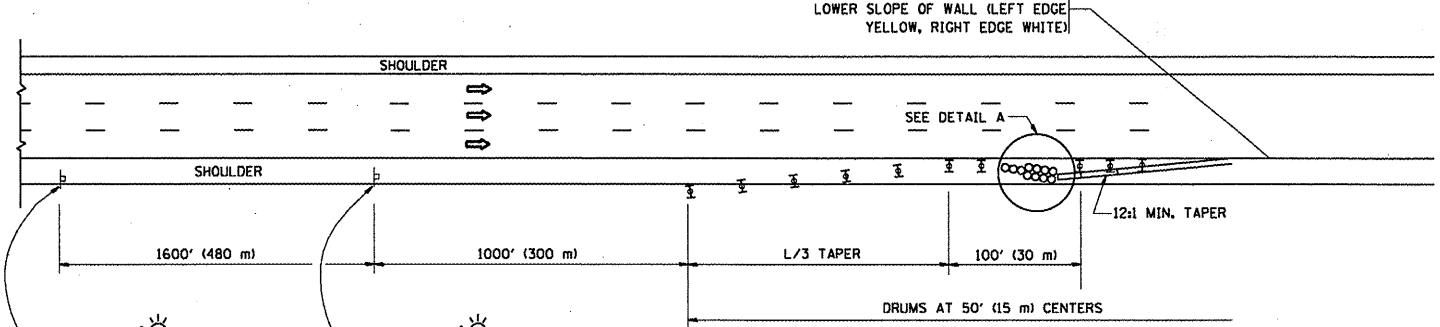
**SYMBOLS**

- ➔ ARROWBOARD
- ▨ WORK AREA
- ┆ SIGN ON PORTABLE OR PERMANENT SUPPORT
- FLAGGER WITH CONTROL SIGN
- ⊕ TYPE II BARRICADE, DRUM OR VERTICAL BARRICADE WITH STEADY BURN MONO-DIRECTIONAL LIGHT
- CONE, DRUM OR BARRICADE

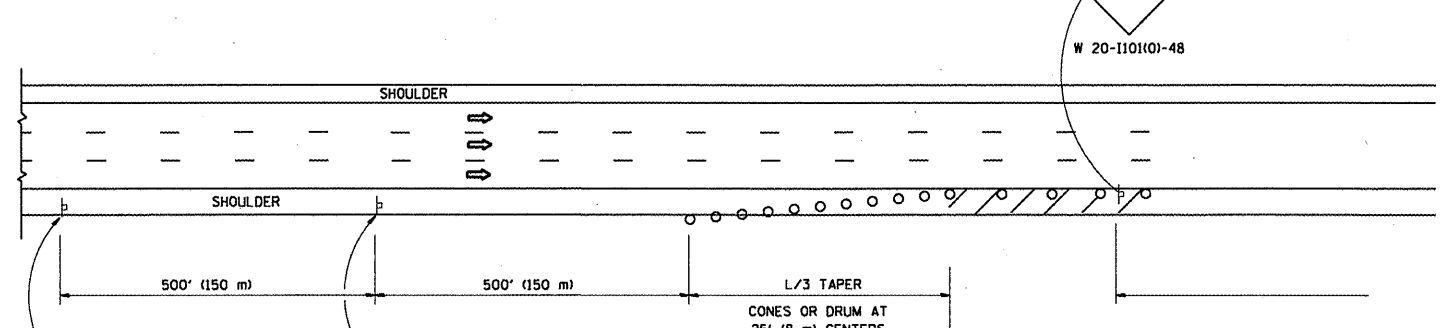
**GENERAL NOTES**

- THE "L" DISTANCE EQUALS:  

SPEED LIMIT	FORMULAS
45 mph (80 km/h) OR GREATER:	METRIC: $L=0.65(W)(S)$ ENGLISH: $L=(W)(S)$
	W = WIDTH OF OFFSET IN FEET (METERS)
	S = NORMAL POSTED SPEED MPH (KM/H)
- PLASTIC DRUMS WITH HIGH PERFORMANCE REFLECTIVE SHEETING AND STEADY BURNING LIGHTS ARE REQUIRED FOR ALL NIGHTTIME CLOSURES.
- ALL SIGNS SHALL BE POST MOUNTED IF THE CLOSURE TIME EXCEEDS FOUR DAYS.
- FLASHING LIGHTS SHALL BE USED DURING THE HOURS OF DARKNESS AND SHALL BE INSTALLED ABOVE THE FIRST TWO SETS OF SIGNS.



**PERMANENT SHOULDER CLOSURE**



**DAYTIME SHOULDER CLOSURE**

THIS DETAIL IS USED WHERE:  
 1. VEHICLES, EQUIPMENT, WORKERS OR THEIR ACTIVITIES ENCR OACH IN AN AREA CLOSER THAN 15' (4.5 m) TO THE EDGE OF PAVEMENT FOR A PERIOD IN EXCESS OF 15 MINUTES.

ARRAY DESIGN PER MANUFACTURER TO BE NCHRP 350 COMPLIANT FOR POSTED SPEED.  
 OFFSET 5' (1.5 m) MIN. FOR SAND MODULE ARRAY

**DETAIL "A"**  
 IMPACT ATTENUATOR, TEMPORARY (SEE NOTE 5)

ALL DIMENSIONS ARE IN INCHES (MILLIMETERS) UNLESS OTHERWISE SHOWN.

FILE NAME =	USER NAME = hamdenah	DESIGNED -	REVISED - J.A.F. 12-02	<b>STATE OF ILLINOIS DEPARTMENT OF TRANSPORTATION</b>	<b>TRAFFIC CONTROL DETAILS FOR FREEWAY SHOULDER CLOSURES AND PARTIAL RAMP CLOSURES</b>		F.A.P. RTE.	SECTION	COUNTY	SHEETS	NO.
2:\prj\work\pwr\dot\hamdenah\dms91047\dsgn_aa.dgn	gn_aa.dgn	DRAWN - D.W.S.	REVISED - 04-03		SCALE: NONE	SHEET NO. 1 OF 1 SHEETS	STA.	2008-053 BP	VARIOUS	54	54
PLOT SCALE = 1/8" = 1' / IN.		CHECKED -	REVISED - J.A.F. 12-06					TC-17	CONTRACT NO. 60F04		
PLOT DATE = 2/13/2009		DATE - 11-96	REVISED - S.P.B. 01-07					FED. ROAD DIST. NO. 1			