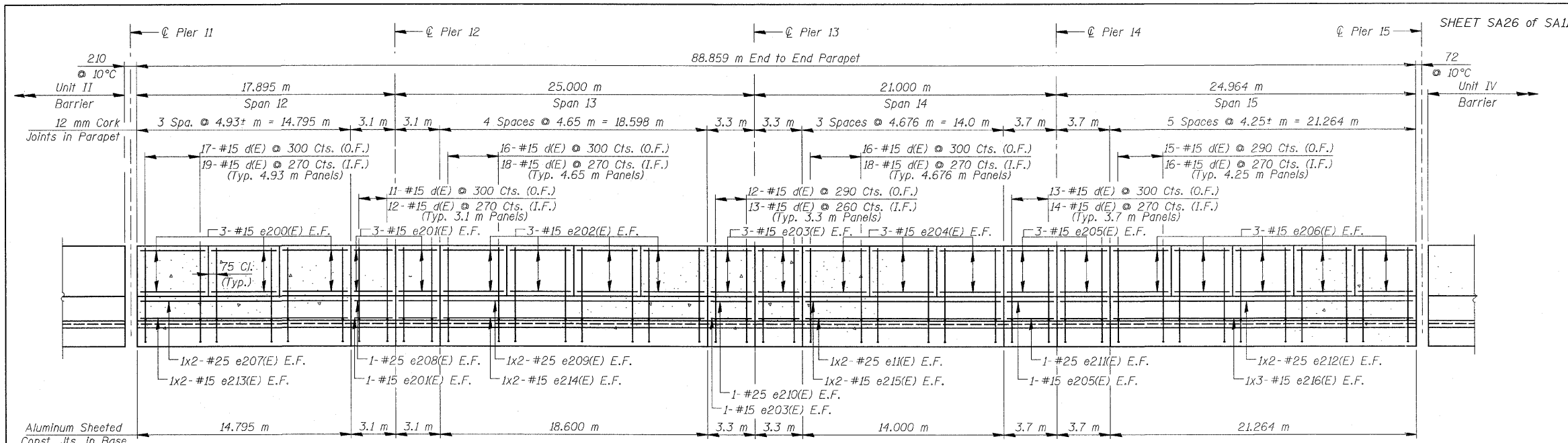


F.A.U. RTE.	SECTION	COUNTY	TOTAL SHEETS	SHEET NO.
3578	15 VB-1-F	COOK	62	25
STA.	TO STA.		FED. AID PROJECT	
			CONTRACT NO. 60H54	

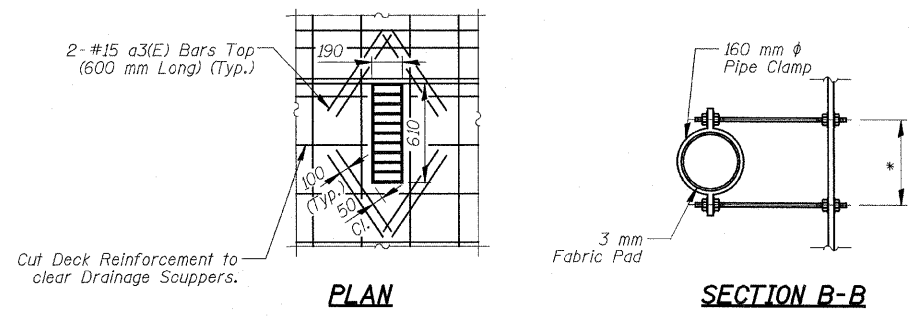
**SUPERSTRUCTURE - UNIT III**  
**BILL OF MATERIAL**

BAR	NO.	SIZE	LENGTH (m)	SHAPE
a3(E)	80	#15	0.60	—
a4(E)	297	#20	1.2	—
a200(E)	1,022	#15	6.36	—
a201(E)	288	#15	5.16	—
a202(E)	240	#15	4.72	—
a203(E)	286	#15	4.36	—
a204(E)	208	#15	3.92	—
a205(E)	1,020	#15	6.51	—
a206(E)	528	#15	5.31	—
a207(E)	494	#15	4.50	—
b200(E)	1,475	#15	9.34	—
b201(E)	65	#20	12.39	—
b202(E)	68	#20	12.76	—
b203(E)	70	#20	14.30	—
b204(E)	144	#15	4.93	—
c(E)	297	#15	0.50	—
c1(E)	297	#15	3.20	—
c2(E)	297	#15	1.17	—
d(E)	651	#15	0.91	—
d1(E)	324	#15	0.80	—
d2(E)	297	#15	1.14	—
d3(E)	310	#20	1.08	—
d4(E)	310	#15	1.08	—
d5(E)	64	#15	0.61	—
e11(E)	4	#25	7.46	—
e200(E)	36	#15	4.80	—
e201(E)	28	#15	2.95	—
e202(E)	48	#15	4.50	—
e203(E)	28	#15	3.15	—
e204(E)	36	#15	4.52	—
e205(E)	28	#15	3.55	—
e206(E)	60	#15	4.10	—
e207(E)	4	#25	7.88	—
e208(E)	4	#25	2.95	—
e209(E)	4	#25	9.76	—
e210(E)	4	#25	3.15	—
e211(E)	4	#25	3.55	—
e212(E)	4	#25	11.09	—
e213(E)	4	#15	7.61	—
e214(E)	4	#15	9.48	—
e215(E)	4	#15	7.18	—
e216(E)	6	#15	7.38	—
x(E)	75	#15	1.28	—
x1(E)	62	#15	0.77	—
Concrete Superstructure	m <sup>2</sup>		503.8	
Bridge Deck Grooving	m <sup>2</sup>		1,471	
Protective Coat	m <sup>2</sup>		2,065	
Reinforcement Bars, Epoxy Coated	kg		74,170	
Bar Splitters	Each		1,018	

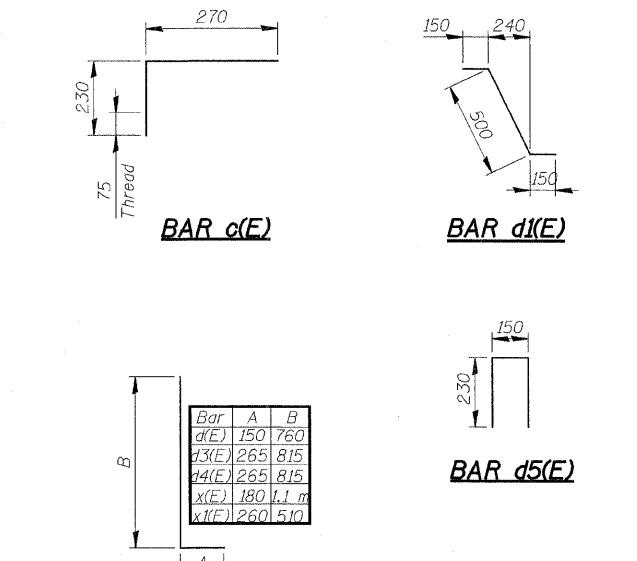
- NOTES**
- Reinforcement bars designated (E) shall be Epoxy Coated.
  - Bars indicated thus 20 x 3 - #15 etc. indicates 20 lines of bars with 3 lengths per line.
  - All dimensions are in millimeters (mm) except as noted.
  - The cost of expansion anchors/inserts is included in the cost of Reinforcement Bars, Epoxy Coated.



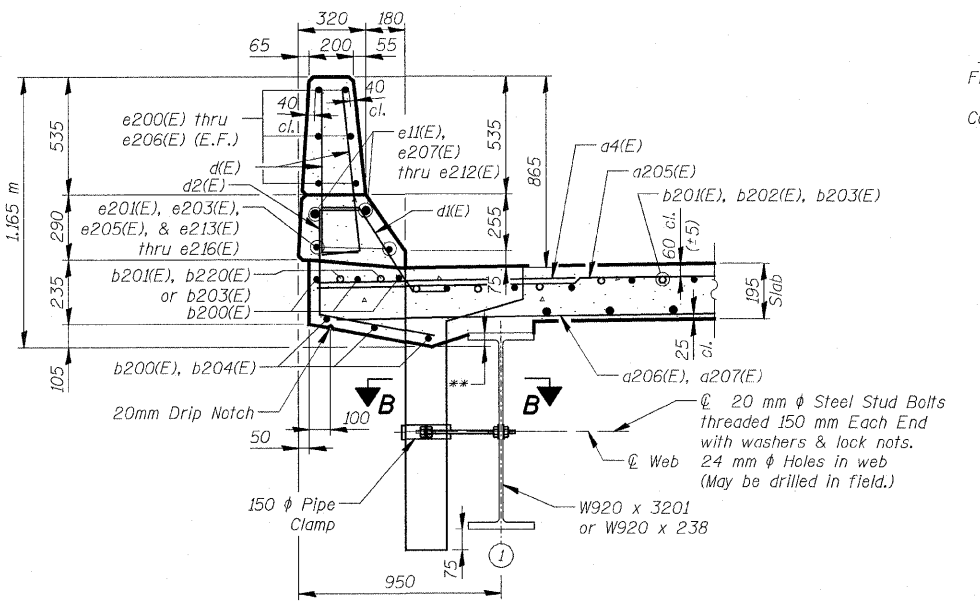
**INSIDE ELEVATION OF PARAPET**  
(Looking Northwest)



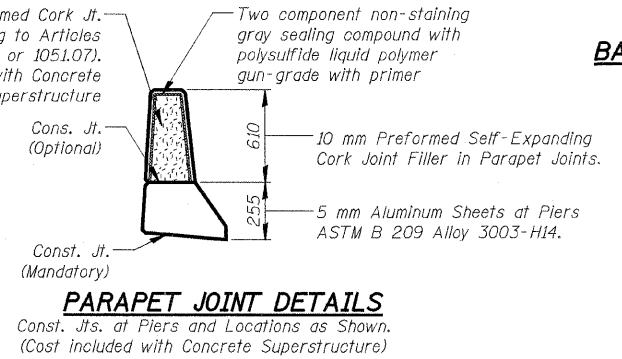
**DRAINAGE SCUPPER DETAILS**  
\* Dimension as required by Pipe Clamp



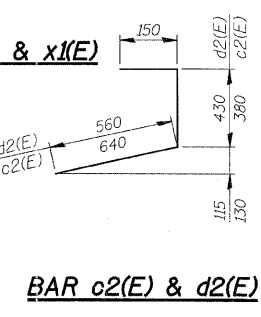
**BARS d(E), d3(E), d4(E), x(E) & x1(E)**



**SECTION THRU PARAPET**  
\*\*Varies 8 to 75



**PARAPET JOINT DETAILS**  
Const. Jts. at Piers and Locations as Shown.  
(Cost included with Concrete Superstructure)



**BAR c2(E) & d2(E)**

REVISIONS		ILLINOIS DEPARTMENT OF TRANSPORTATION SUPERSTRUCTURE DETAILS - UNIT III-B
NAME	DATE	
		SOUTHWEST HIGHWAY OVER B&O RAILROAD AND STONY CREEK FAU 3578 SECTION 15 VB-1-F STRUCTURE NUMBER 016-2771 COOK COUNTY STATION 4+716.497 SCALE: NONE DRAWN BY: M. Tryon DATE: MAY 22, 2009 CHECKED BY: A. Yargloogu

FOR INFORMATION ONLY

jvermillion(rl)dwg... 5/29/2009 10:07:36 PM

