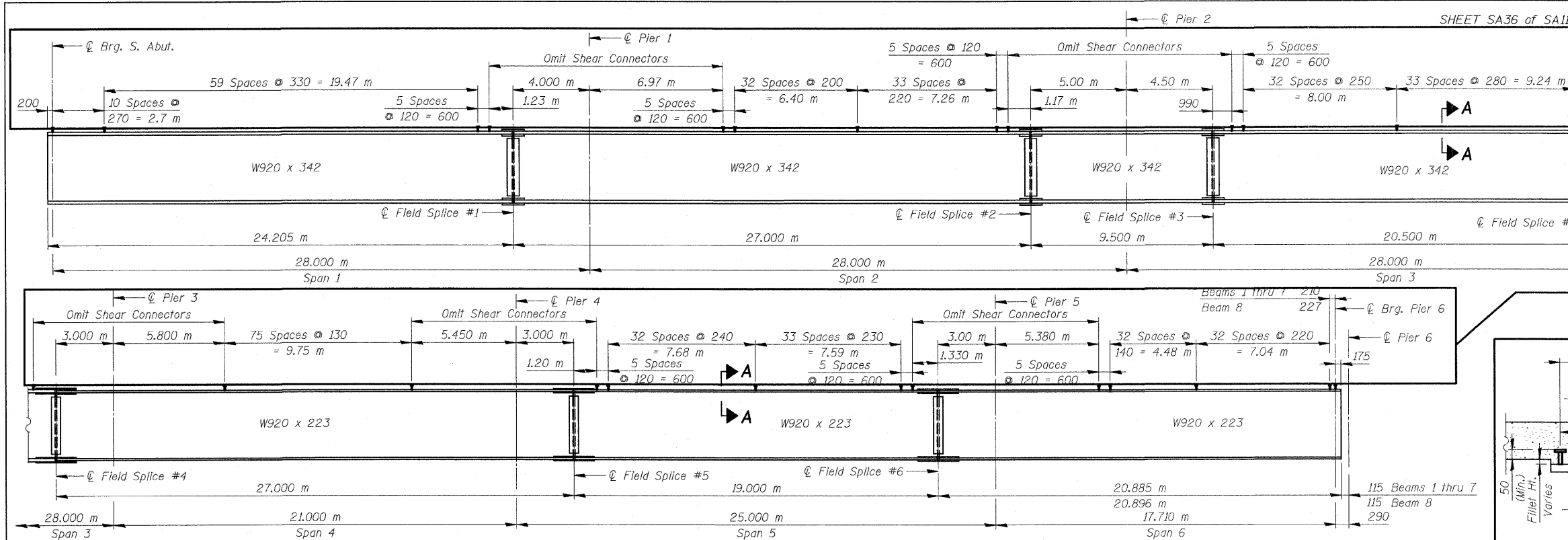
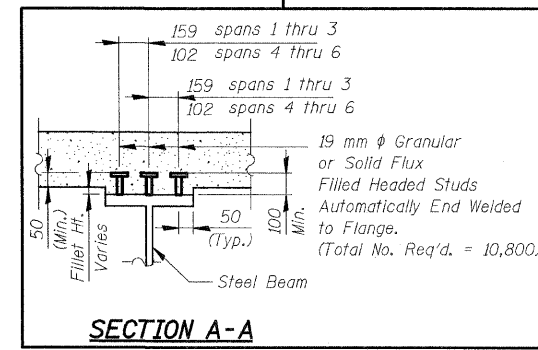


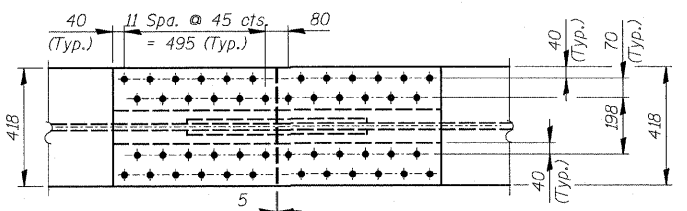
F.A.U. RTE.	SECTION	COUNTY	TOTAL SHEETS NO.	SHEET NO.
3578	15 VB-1-F	COOK	62	36
STA.	TO STA.			
FED. ROAD DIST. NO.	ILLINOIS FED. AID PROJECT		CONTRACT NO. 60H54	



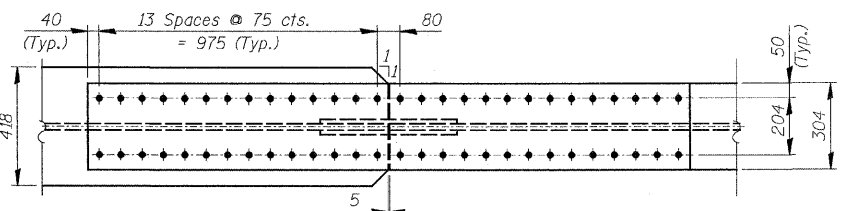
FOR INFORMATION ONLY



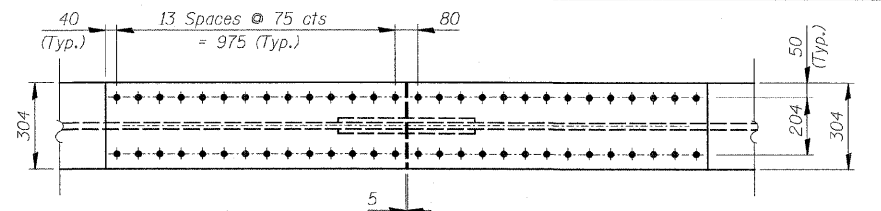
BEAM ELEVATION



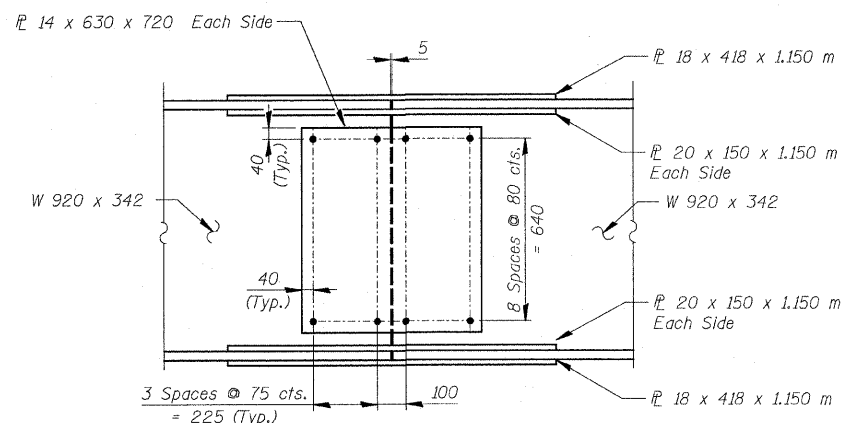
TOP PLAN
(Bottom Splice is Identical)



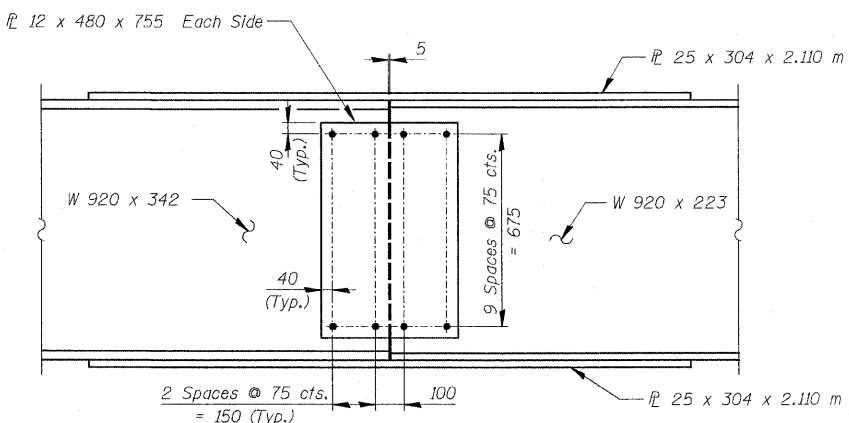
TOP PLAN
(Bottom Splice is Identical)



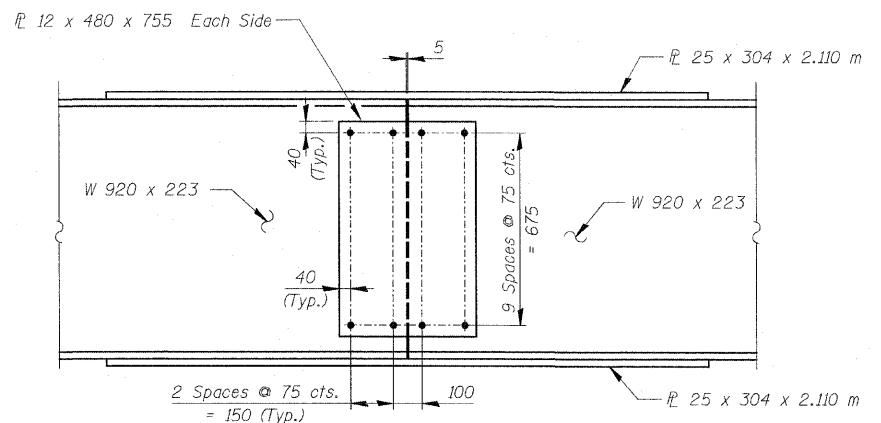
TOP PLAN
(Bottom Splice is Identical)



ELEVATION
FIELD SPLICE #1 THRU #3 DETAIL



ELEVATION
FIELD SPLICE #4 DETAIL



ELEVATION
FIELD SPLICE #5 & #6 DETAIL

BILL OF MATERIAL

ITEM	UNIT	TOTAL
Furnishing Structural Steel	L Sum	1

NOTES

- For Top of Beam Elevations, Table of Moments and Reactions see Sheet SA33.
- All Wide Flange Beams and Splice Plate Material, except Fill Plates, shall be AASHTO M270 M Grade 345 and shall meet Notch Toughness Requirements.
- All dimensions are in millimeters (mm) except as noted.

REVISIONS

NAME	DATE

ILLINOIS DEPARTMENT OF TRANSPORTATION

BEAM DETAILS - UNIT I
SOUTHWEST HIGHWAY OVER
B&O RAILROAD AND STONY CREEK
FAU 3578 SECTION 15 VB-1-F
STRUCTURE NUMBER 016-2771
COOK COUNTY STATION 4+716.497
SCALE: NONE DATE: MAY 22, 2009
DRAWN BY: M. Tryon
CHECKED BY: G. Hottelstad

J:\vermillion\rdwy_lisle\1008135 PM 5/29/2009
 q:\yidof\9556.ad\drawings\struc\fabrication-plans\36_FAB_beam_Unit1.dgn

