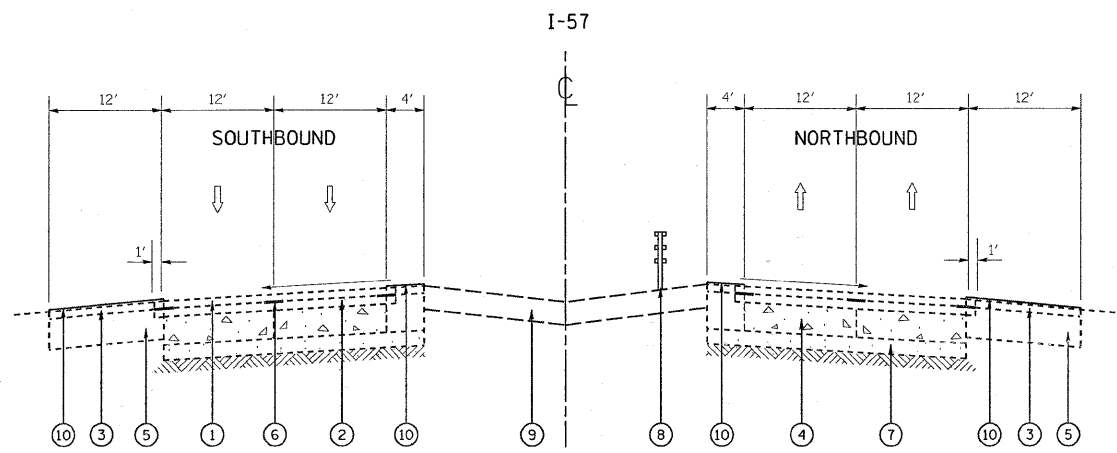


EXISTING AND PROPOSED TYPICAL SECTION
STA. 103+00 TO 225+10



EXISTING AND PROPOSED TYPICAL SECTION
STA. 229+35 TO 729+61

LEGEND:

- ① EXISTING POLY HMA SURFACE CSE, MIX "F", N105, 1 3/4"
- ② EXISTING POLY HMA BINDER COURSE, IL-19, N105, 2 1/4"
- ③ EXISTING HMA SURFACE COURSE, MIX "D", N70, 1 3/4"
- ④ EXISTING P.C.C. PAVEMENT, 10"
- ⑤ EXISTING HMA SHOULDER
- ⑥ EXISTING STRIP REFLECTIVE CRACK CONTROL TREATMENT
- ⑦ EXISTING STABILIZED SUB-BASE, 4"
- ⑧ EXISTING CABLE ROAD GUARD
- ⑨ EXISTING GRASS MEDIAN
- ⑩ PROPOSED ASPHALTIC EMULSION SLURRY SEAL

FILE NAME =	USER NAME = steedpa	DESIGNED -	REVISED -	STATE OF ILLINOIS DEPARTMENT OF TRANSPORTATION	EXISTING AND PROPOSED TYPICAL SECTIONS I-57--KANKAKEE COUNTY LINE TO COOK COUNTY LINE		F.A.I. RTE.	SECTION	COUNTY	TOTAL SHEETS	SHEET NO.
c:\pw_work\pwwork\stedpa\d0142782\DI75309-shr-plan1.dgn	PLOT SCALE = 50.0000' / IN.	DRAWN -	REVISED -				57	2009-062 I	WILL	36	4
PLOT DATE = 5/21/2009	DATE -	CHECKED -	REVISED -		SCALE: SHEET NO. OF SHEETS STA. TO STA.		CONTRACT NO. 60H55				
							ILLINOIS FED. AID PROJECT				