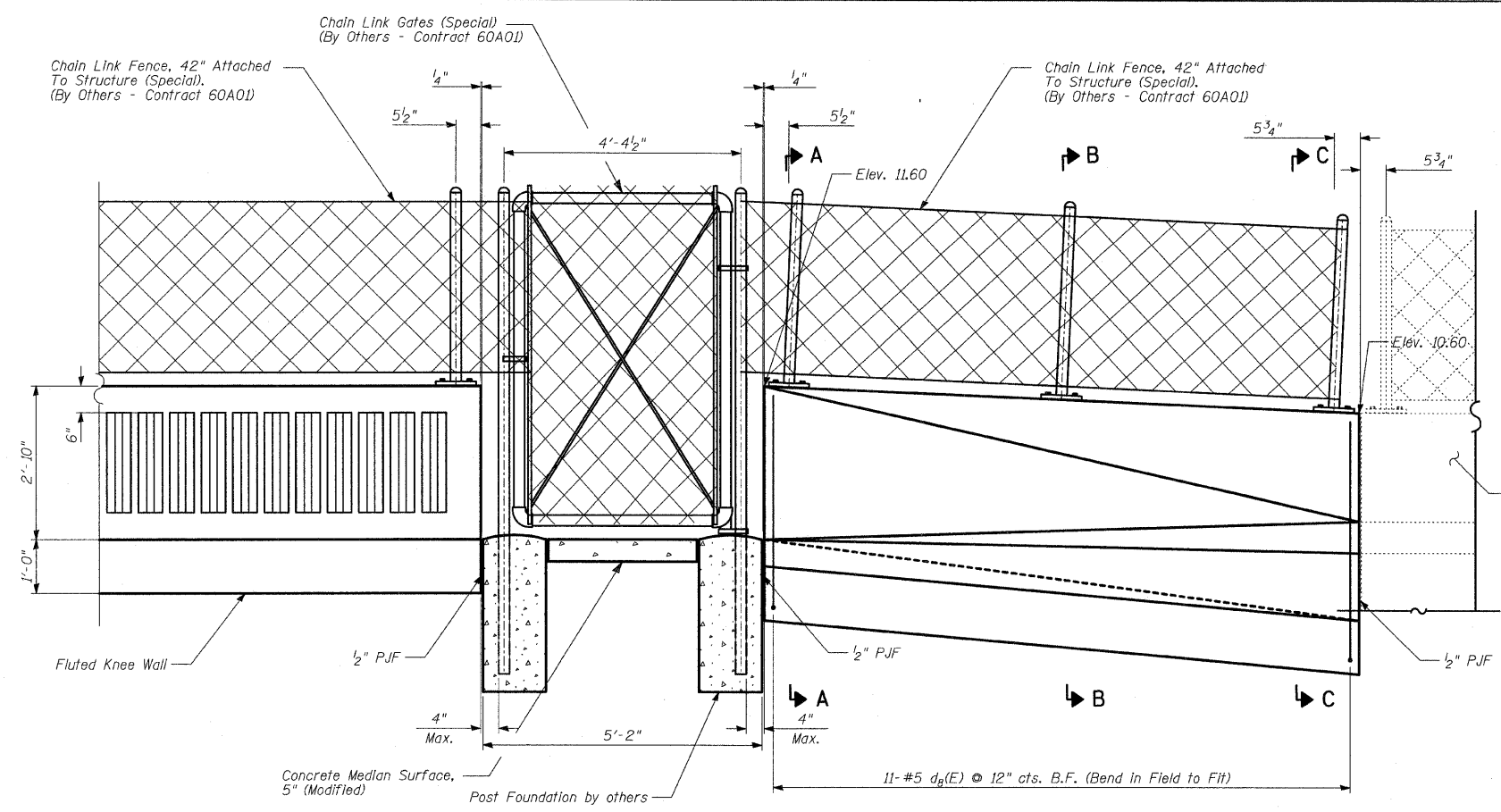
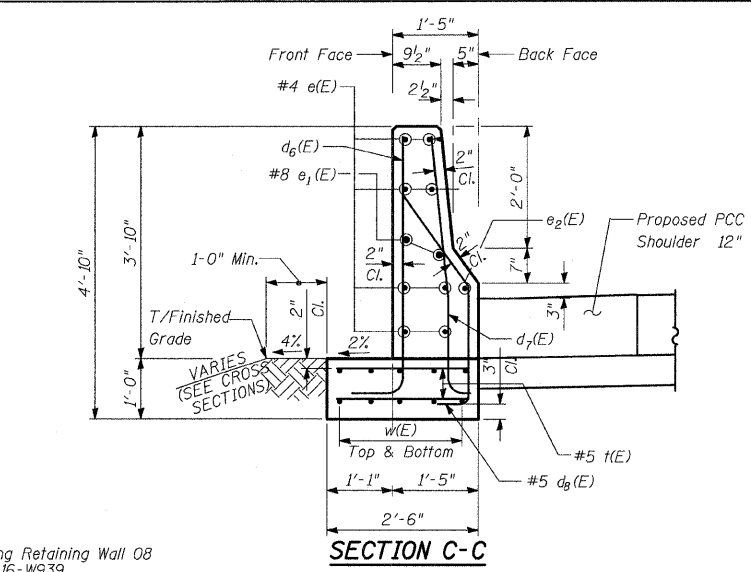


F.A.I. RTE.	SECTION	COUNTY	TOTAL SHEETS	SHEET NO.
94	1717 I-6	COOK	60	33
STA. 2265+32.63		TO STA. 2287+21.27		
FED. ROAD DIST. NO.	ILLINOIS	FED. AID PROJECT		

62973

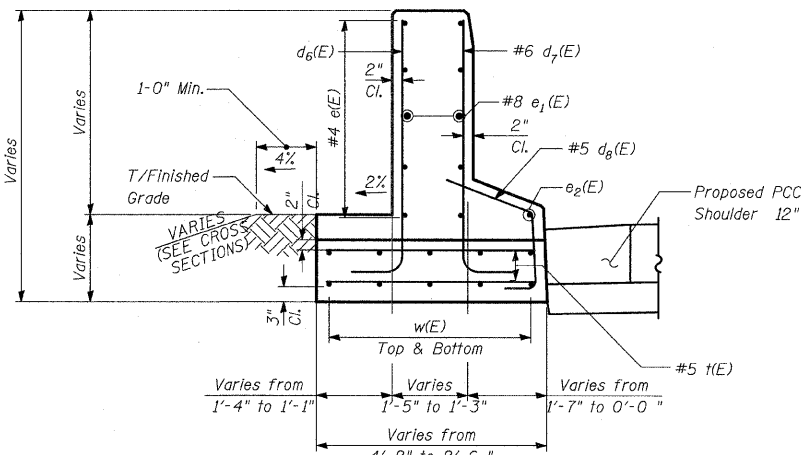


**BACK FACE ELEVATION - FLUTED KNEE WALL AT ENTRANCE RAMP AT 83RD ST.**



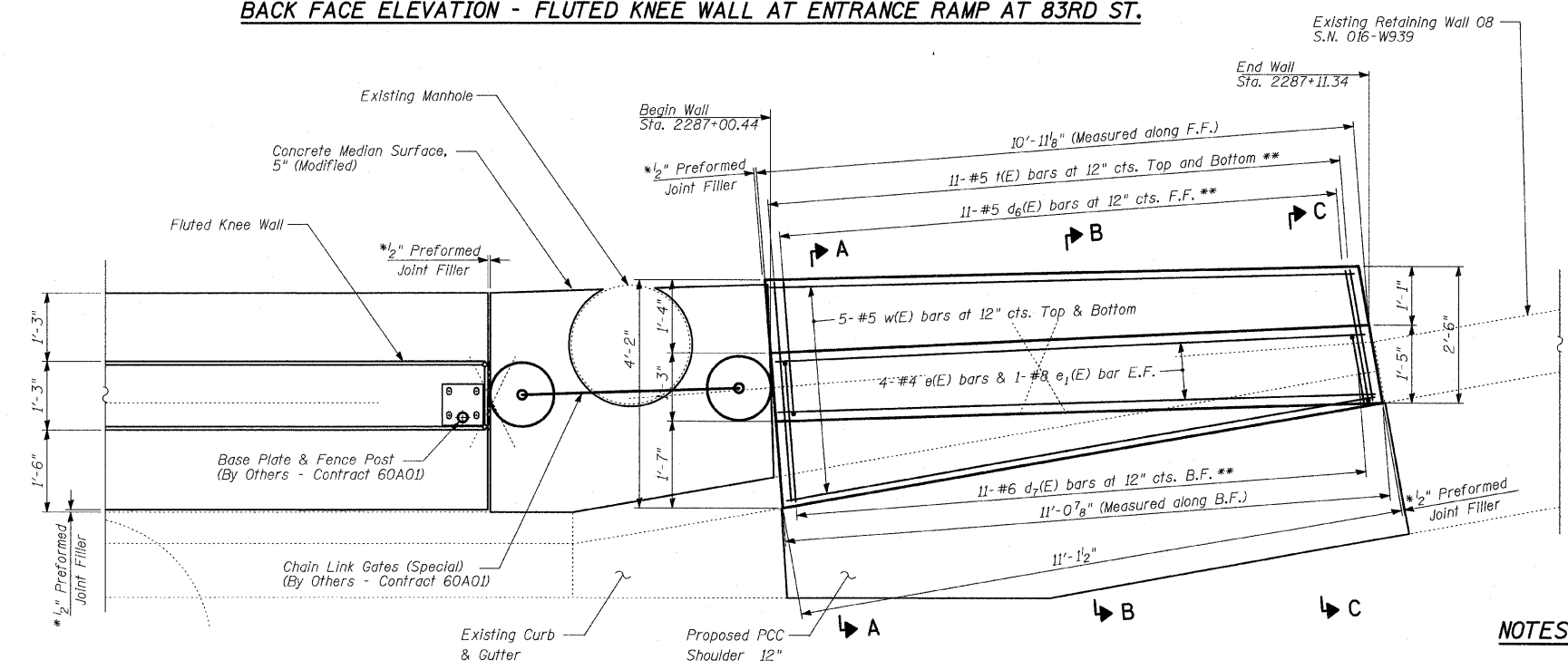
**SECTION C-C**

**BARS d6(E) & d7(E)**

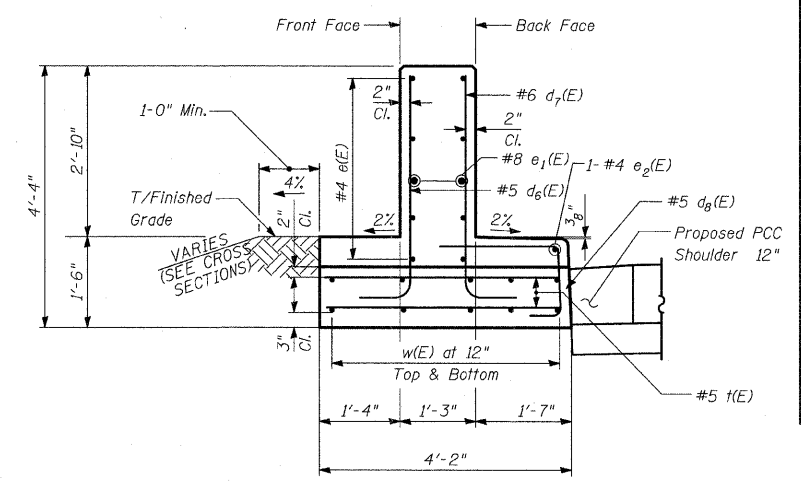


**SECTION B-B**

**BAR d6(E)**



**PLAN - FLUTED KNEE WALL AT ENTRANCE RAMP AT 83RD ST.**



**SECTION A-A**

**BILL OF MATERIAL**

Bar	No.	Size	Length	Shape
d6(E)	11	#5	5'-0"	L
d7(E)	11	#6	5'-2"	L
d8(E)	11	#5	4'-2"	∩
e(E)	6	#4	10'-10"	—
e1(E)	2	#8	10'-10"	—
e2(E)	1	#4	11'-2"	—
t(E)	22	#5	4'-0"	—
w(E)	10	#5	10'-10"	—
Reinforcement Bars, Epoxy Coated		POUND	520	
Structure Excavation		CU YD	5	
Concrete Structures		CU YD	4	
Protective Coat		SQ YD	13	

Reinforcement bars designated (E) shall be epoxy coated.

**NOTES:**

1. For Notes, See Fluted Knee Wall Standard Details Sheet 32.

\* Cost included with "Concrete Structures"

\*\* Cut bars to fit in field.

REVISIONS	
NAME	DATE

ILLINOIS DEPARTMENT OF TRANSPORTATION  
**F.A.I. 94 (DAN RYAN EXPRESSWAY)  
 FLUTED KNEE WALL TRANSITION  
 S. 86TH ST. TO N. 83RD ST.  
 FLUTED KNEE WALL TRANSITION DETAILS**

S.N. DESIGNED BY: MAF  
 SCALE: N.T.S. DRAWN BY: MAF  
 DATE: OCTOBER 17, 2008 CHECKED BY: MI

**TYLIN INTERNATIONAL**

10/17/2008 12:01:32 PM