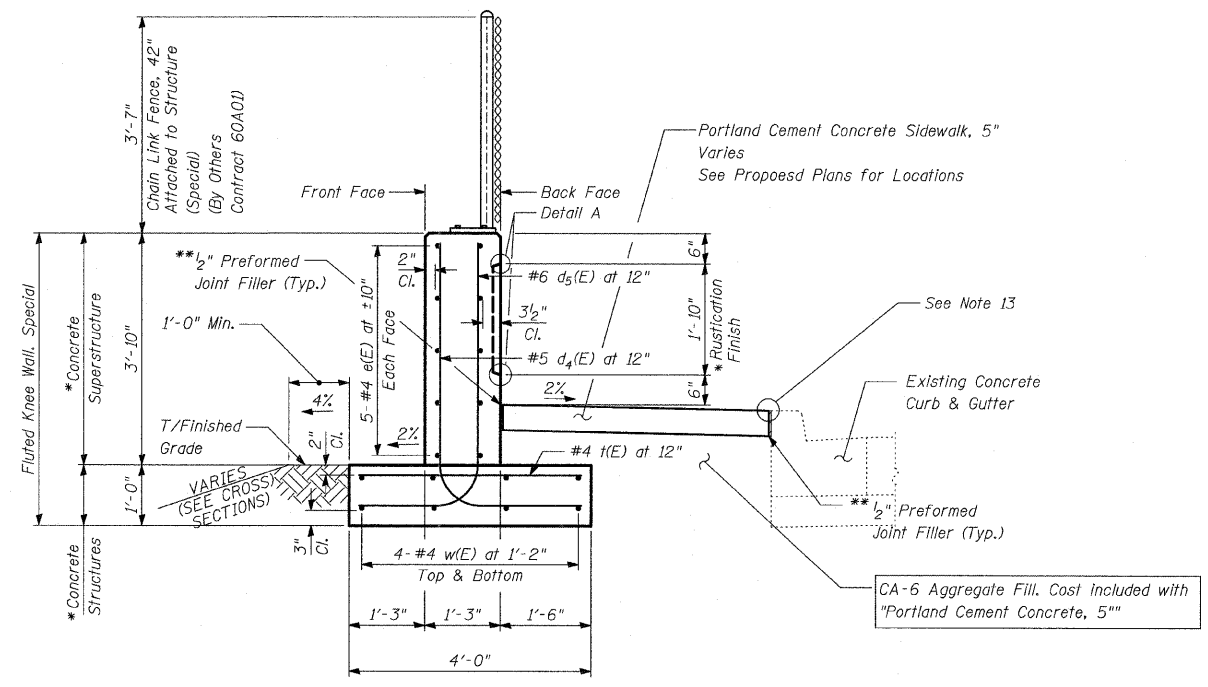


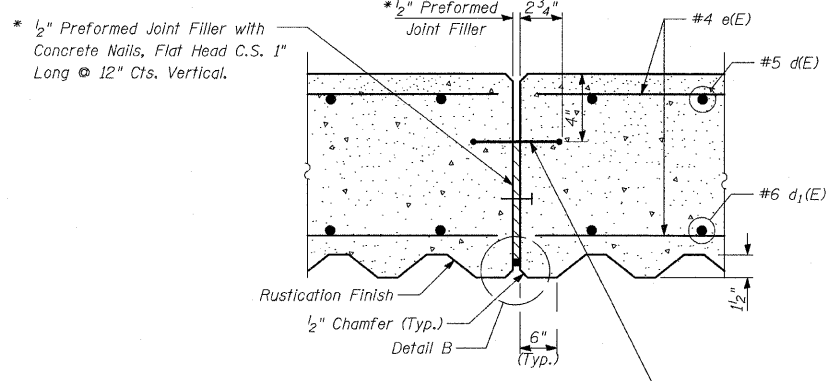
BACK FACE ELEVATION - FLUTED KNEE WALL, SPECIAL AND CHAIN LINK FENCE



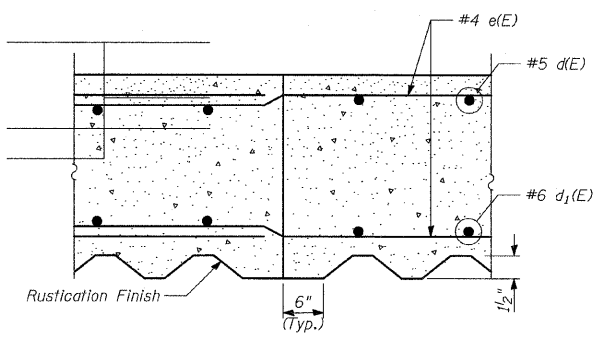
TYPICAL SECTION FLUTED KNEE WALL, SPECIAL

BILL OF MATERIAL

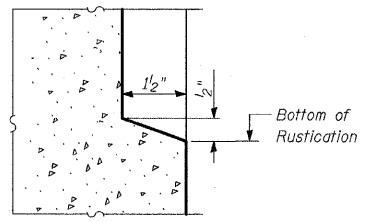
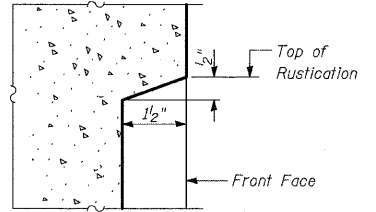
QUANTITIES PER FOOT OF FLUTED KNEE WALL, SPECIAL		
ITEM	UNIT	TOTAL
Concrete Structures	CU YD	0.15
Concrete Superstructure	CU YD	0.18
Protective Coat	SQ YD	1.01
Rustication Finish	SQ FT	1.84
Reinforcement Bars, Epoxy Coated	POUND	31.8



EXPANSION JOINT DETAILS



CONSTRUCTION JOINT DETAILS



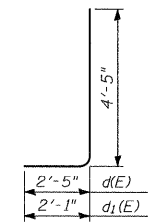
DETAIL A

NOTES:

1. For notes, see "Fluted Knee Wall Standard Details" sheet 32.

* Cost included with "Fluted Knee Wall, Special"

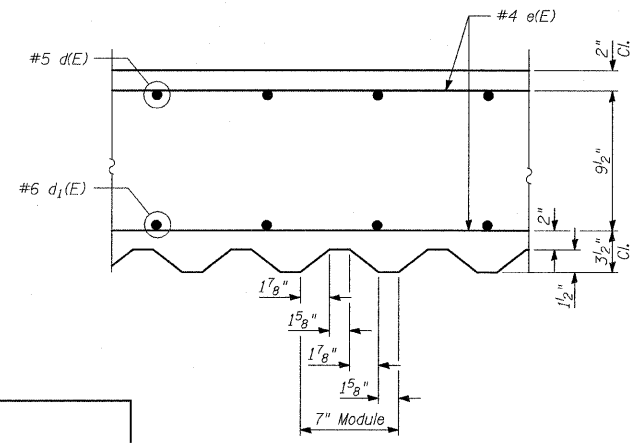
** Cost included with "PCC Sidewalk, 5"



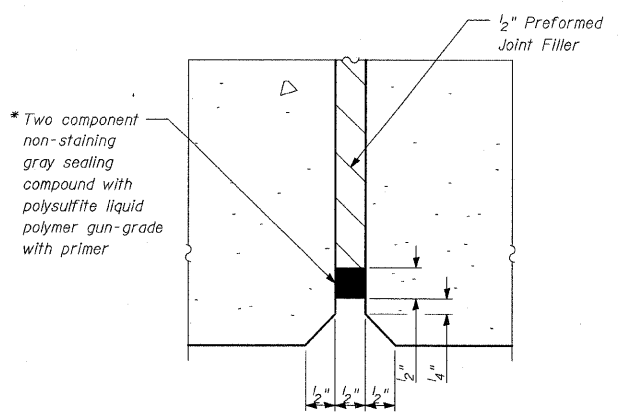
BARS d4(E) & d5(E)

LAP SPLICES

Bar	Lap
#4	1'-8"
#5	2'-2"
#6	2'-7"



SECTION A-A



DETAIL B

REVISIONS	
NAME	DATE

ILLINOIS DEPARTMENT OF TRANSPORTATION
F.A.I. 94 (DAN RYAN EXPRESSWAY)
FLUTED KNEE WALL ALONG STATE STREET
S. 86TH ST. TO N. 83RD ST.
FLUTED KNEE WALL, SPECIAL
STANDARD DETAILS

S.N. DESIGNED BY: MAF
 SCALE: N.T.S. DRAWN BY: MAF
 DATE: OCTOBER 17, 2008 CHECKED BY: MI

TYLIN INTERNATIONAL

10/17/2008 12:01:33 PM