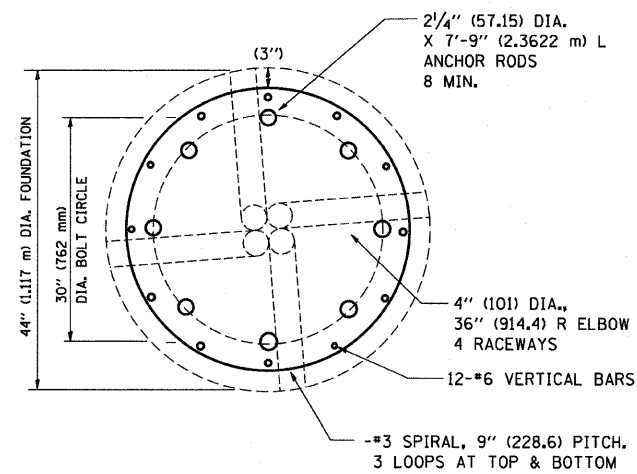
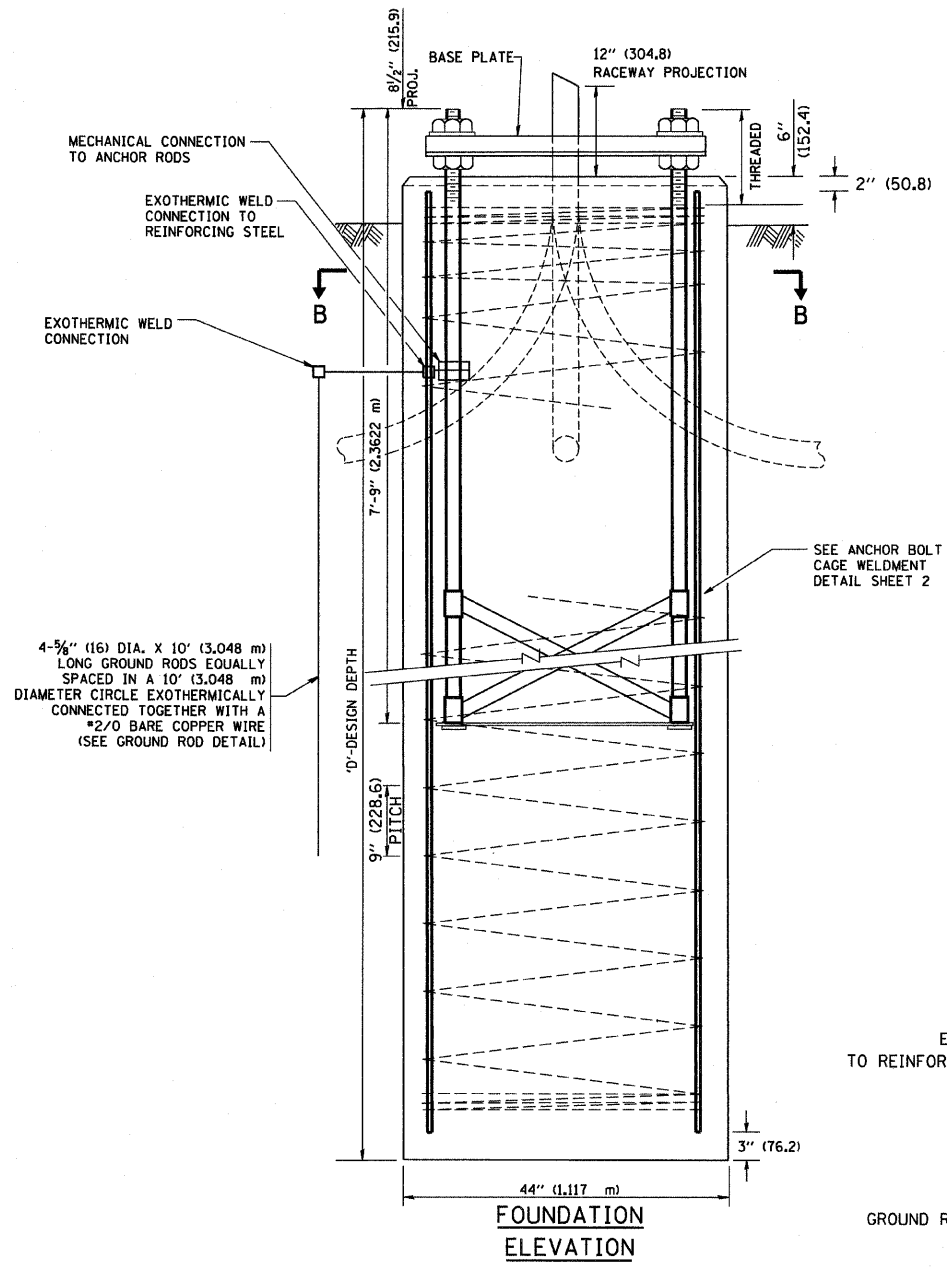


LIGHT TOWER FOUNDATION DEPTH "D"

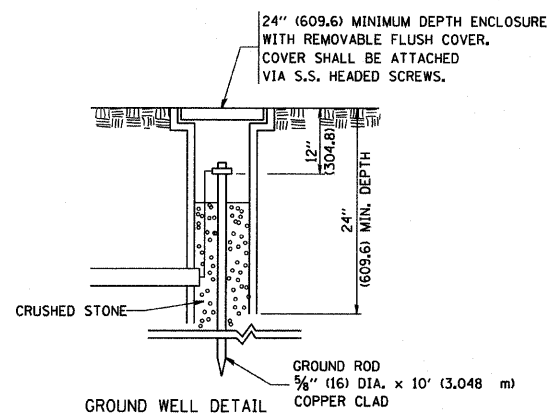
MOUNTING HEIGHT	SOIL CONDITIONS					
	SOFT CLAY Qu = 0.375 TON/SQ. FT	MEDIUM CLAY Qu = 0.75 TON/SQ. FT	STIFF CLAY Qu = 1.50 TON/SQ. FT	LOOSE SAND φ = 34°	MEDIUM SAND φ = 37.5°	DENSE SAND φ = 40°
90 FT (27 m)	29 FT (8.779 m)	20 FT (6.035 m)	15 FT (4.389 m)	15 FT (4.389 m)	13 FT (3.840 m)	12 FT (3.429 m)
100 FT (30 m)	32 FT (9.754 m)	22 FT (6.706 m)	16 FT (4.877 m)	16 FT (4.877 m)	14 FT (4.267 m)	13 FT (3.81 m)
110 FT (33 m)	35 FT (10.719 m)	24 FT (7.377 m)	18 FT (5.365 m)	18 FT (5.365 m)	15 FT (4.694 m)	14 FT (4.191 m)
120 FT (36 m)	38 FT (11.705 m)	26 FT (8.046 m)	19 FT (5.652 m)	19 FT (5.652 m)	17 FT (5.120 m)	16 FT (4.572 m)

DESIGN NOTES

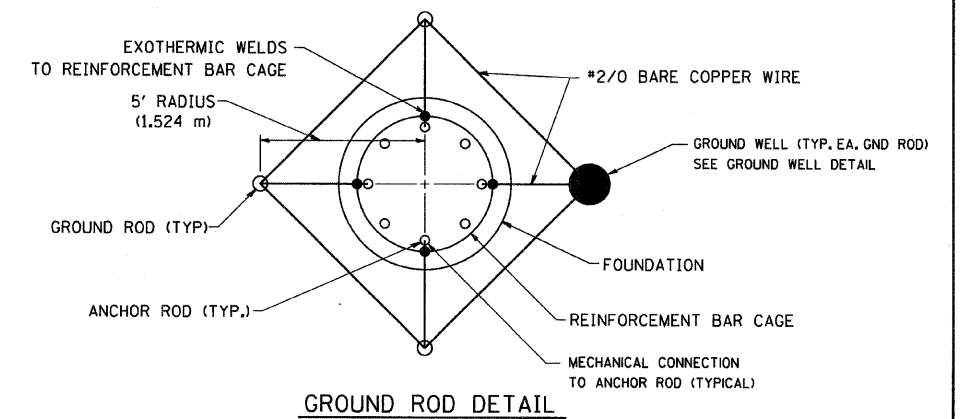
- (1) ALL DIMENSIONS IN INCHES (MILLIMETERS) UNLESS OTHERWISE SHOWN
- (2) THE ANCHOR RODS SHALL BE VERTICAL NO ADJUSTMENT SHALL BE ALLOWED AFTER THE FOUNDATION IS PLACED.
- (3) THE GAP BETWEEN THE FOUNDATION AND THE BASE PLATE SHALL BE ENCLOSED WITH A STAINLESS STEEL SCREEN FASTENED WITH A STAINLESS STEEL BAND.
- (4) THE TOP OF THE FOUNDATION TO 18" (450) BELOW GRADE SHALL BE FORMED.
- (5) SURFACE WATER WILL NOT BE PERMITTED TO ENTER THE HOLE AND ALL WATER WHICH MAY HAVE INFILTRATED INTO THE HOLE SHALL BE REMOVED BEFORE PLACING CONCRETE.
- (6) THE LIGHT TOWER SHALL NOT BE ERECTED UNTIL AFTER THE CONCRETE HAS BEEN CURED ACCORDING TO ARTICLE 1020.13.
- (7) ANCHOR RODS SHALL BE STRAIGHT AND SHALL BE ACCORDING TO AASHTO M 314 OR ASTM F1554, GRADE 75(GRADE 105) AND GALVANIZED ACCORDING TO ARTICLE 1006.9.
- (8) ANCHOR ROD INFORMATION SHALL BE SUBMITTED FOR APPROVAL AND SHALL BE FULLY COORDINATED FOR APPROVAL WITH TOWER MANUFACTURER REQUIREMENTS.
- (9) REINFORCEMENT BARS SHALL BE ACCORDING TO ARTICLE 1006.10
- (10) TWO ANCHOR RODS OPPOSITE EACH OTHER SHALL HAVE THE ANCHOR ROD THREADS PEENED AFTER NUTS ARE INSTALLED.



SECTION-B-B



GROUND WELL DETAIL



GROUND ROD DETAIL

FOR INFORMATION ONLY

FILE NAME = M:\distatd\22x34\be501.dgn	USER NAME = geglennob	DESIGNED - DRAWN -	REVISED - R. TOMSONS 04-22-02 REVISED - REVISED -
PLOT SCALE = 50,000 "/ IN.	CHECKED -	DATE -	REVISED -
PLOT DATE = 1/4/2008			

**STATE OF ILLINOIS
DEPARTMENT OF TRANSPORTATION**

**HIGH MAST LIGHT TOWER
90 FT TO 120 FT (27 m TO 36 m) FOUNDATION DETAIL**

SCALE: NONE SHEET NO. 1 OF 2 SHEETS STA. TO STA.

F.A. RTE. 94	SECTION 1717 1-6	COUNTY COOK	TOTAL SHEETS 60	SHEET NO. 55
BE-501			CONTRACT NO. 62973	
FED. ROAD DIST. NO. 1 ILLINOIS FED. AID PROJECT				