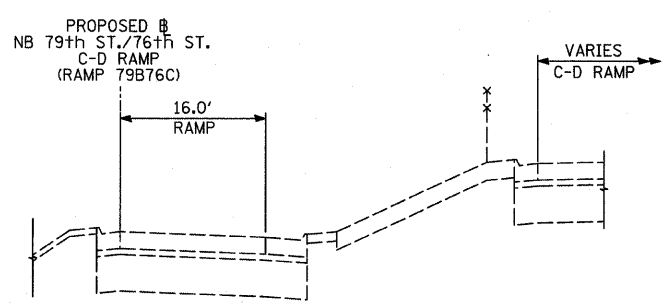
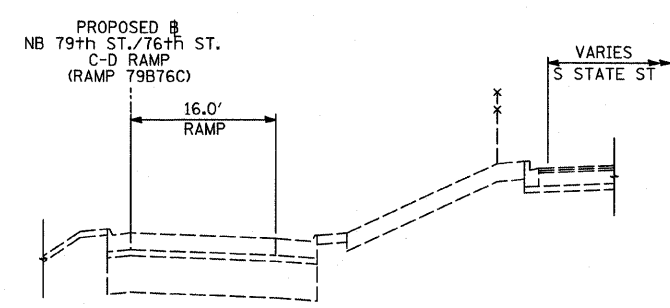


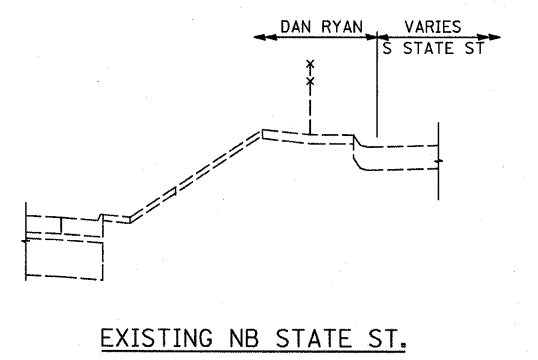
F.A.I. RTE.	SECTION	COUNTY	TOTAL SHEETS	SHEET NO.
94	1818 I-6	COOK	42	4
STA. 2327+79.39		TO STA. 2338+67.22		
FED. ROAD DIST. NO.	ILLINOIS	FED. AID PROJECT	62974	



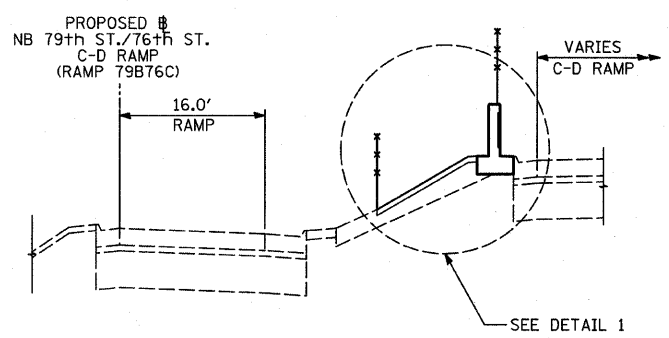
EXISTING NB STATE ST.



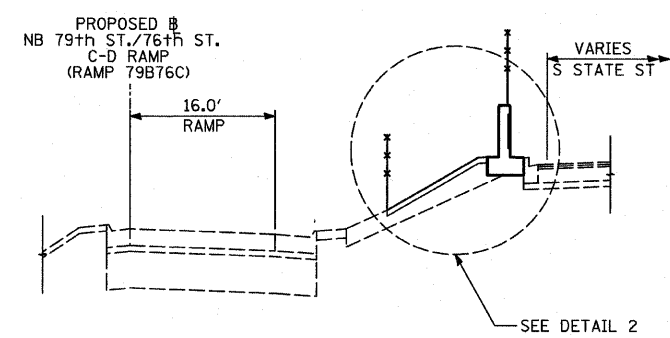
EXISTING NB STATE ST.



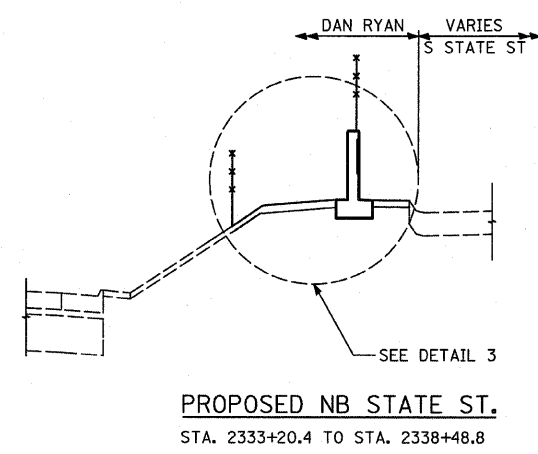
EXISTING NB STATE ST.



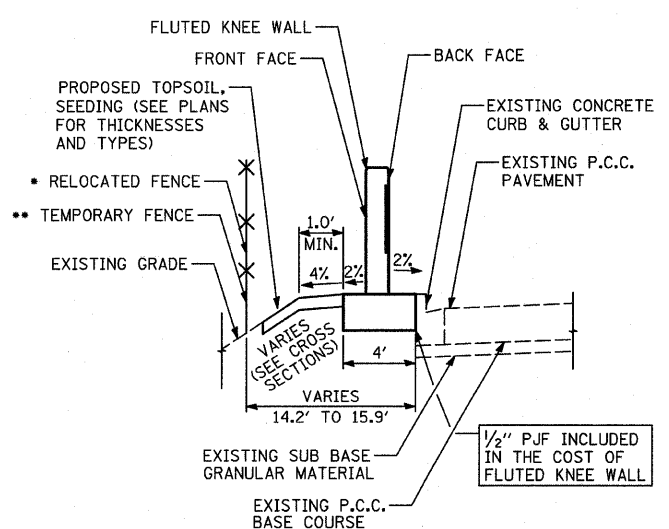
PROPOSED NB STATE ST.  
STA. 2328+27.1 TO STA. 2329+25.4



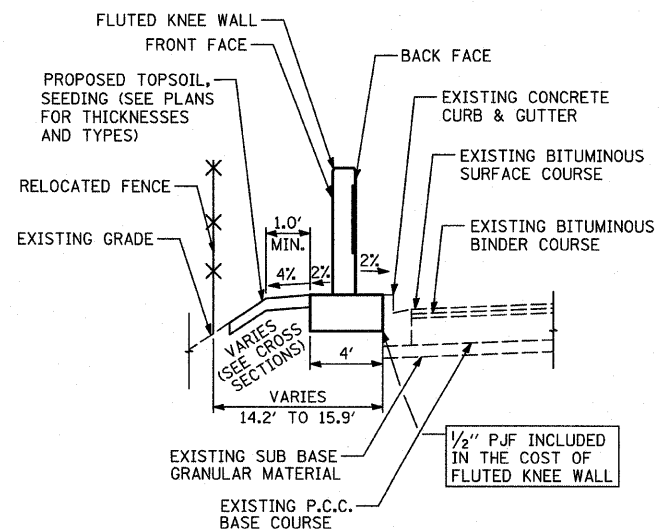
PROPOSED NB STATE ST.  
STA. 2329+25.4 TO STA. 2332+11.3



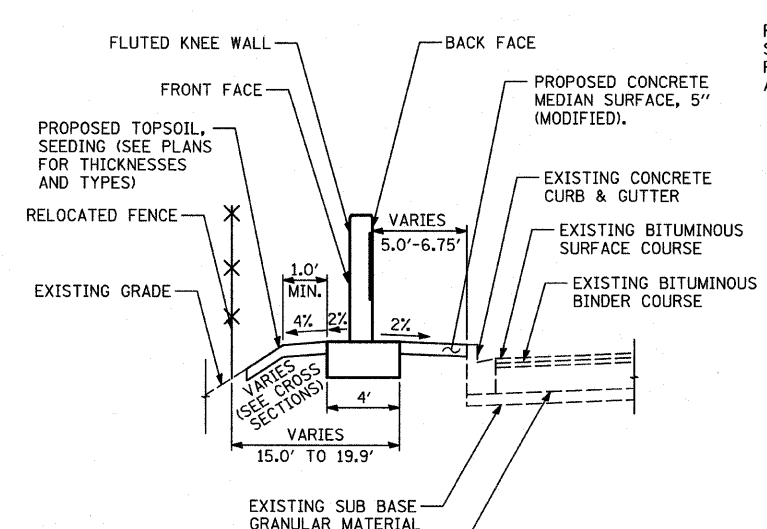
PROPOSED NB STATE ST.  
STA. 2333+20.4 TO STA. 2338+48.8



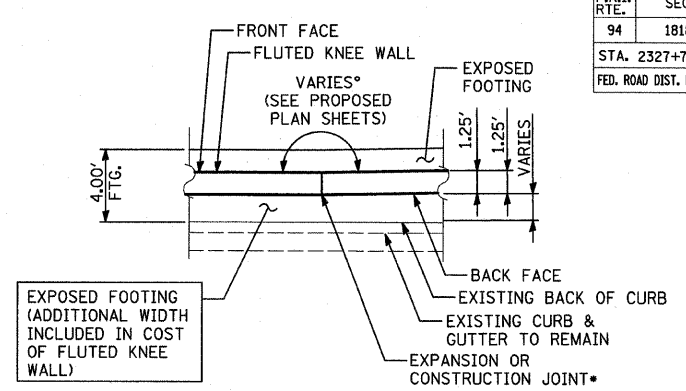
KNEE WALL DETAIL 1



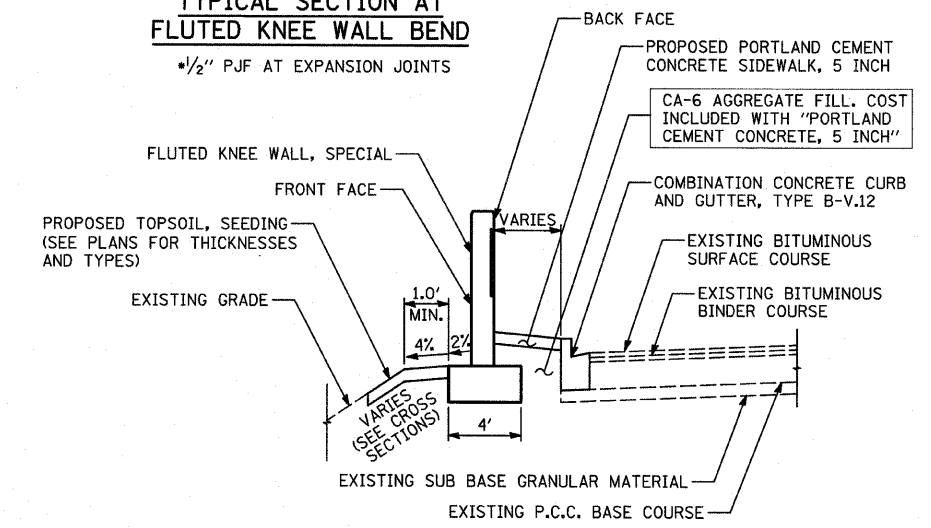
KNEE WALL DETAIL 2



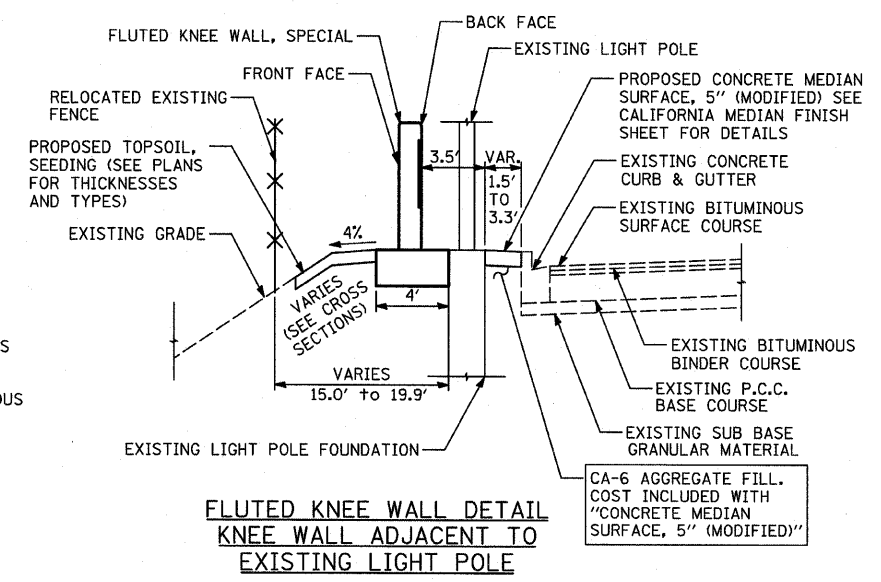
KNEE WALL DETAIL 3



TYPICAL SECTION AT FLUTED KNEE WALL BEND



FLUTED KNEE WALL TYPICAL SECTION AT SIDEWALK



FLUTED KNEE WALL DETAIL KNEE WALL ADJACENT TO EXISTING LIGHT POLE

REVISIONS	
NAME	DATE

ILLINOIS DEPARTMENT OF TRANSPORTATION  
F.A.I. 94 (DAN RYAN EXPRESSWAY)  
EXISTING AND PROPOSED TYPICAL SECTIONS NB STATE ST.

SCALE: NONE  
DATE: FEBRUARY 13, 2009  
DRAWN BY: TB  
CHECKED BY: TGB, MI

\* STA. 2328+37.8 TO STA. 2329+25.4  
\*\* STA. 2327+78.4 TO STA. 2328+37.8

P:\02-37-3\road\256\2561818\2561818\_3a.dwg 3/19/2009 1:20:03 PM