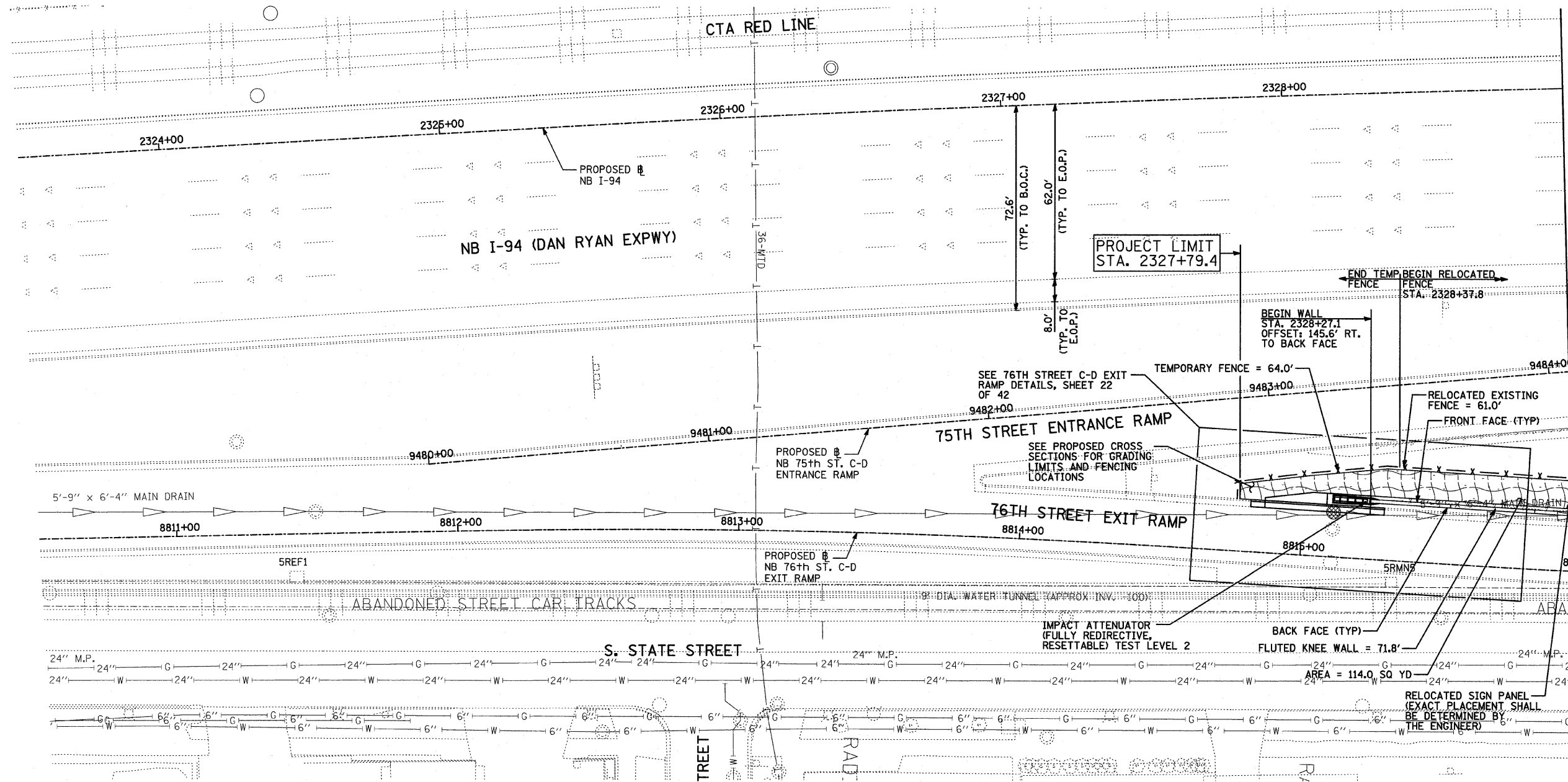
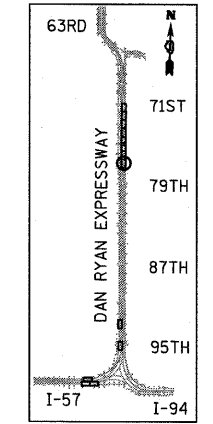


F.A.I. RTE.	SECTION	COUNTY	TOTAL SHEETS	SHEET NO.
94	1818 I-6	COOK	42	17
STA. 2327+79.39		TO STA. 2338+67.22		
FED. ROAD DIST. NO.	ILLINOIS	FED. AID PROJECT		

62974

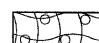






MATCHLINE NB STA. 2329+00



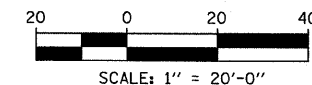
LOCATION MAP

**LEGEND:**

-  EROSION CONTROL BLANKET, SEEDING, CLASS 2A, NITROGEN, PHOSPHORUS, AND POTASSIUM FERTILIZER NUTRIENTS, TOPSOIL FURNISH AND PLACE, 4"
-  EROSION CONTROL BLANKET, SEEDING, CLASS 2A, NITROGEN, PHOSPHORUS, AND POTASSIUM FERTILIZER NUTRIENTS, TOPSOIL FURNISH AND PLACE, 12" COMPOST FURNISH AND PLACE, 6"
-  INLET FILTER
-  CONSTRUCTION JOINT AT FLUTED KNEE WALL BEND
-  EXPANSION JOINT

**NOTES:**

1. STATION AND OFFSET CALLOUTS ALONG THE LENGTH OF EITHER FLUTED KNEE WALL OR FLUTED KNEE WALL, SPECIAL ARE TAKEN FROM THE BACK FACE SIDE AT PROPOSED EXPANSION JOINT LOCATIONS.
2. THE CONTRACTOR SHALL PROTECT AND USE CAUTION DURING CONSTRUCTION OPERATIONS AROUND ALL EXISTING PUBLIC OR PRIVATE UTILITY FACILITIES.



REVISIONS	
NAME	DATE

ILLINOIS DEPARTMENT OF TRANSPORTATION  
**F.A.I. 94 (DAN RYAN EXPRESSWAY)**  
**PROPOSED PLAN**  
**NB I-94 (DAN RYAN EXPRESSWAY)**  
**STA. 2323+50.00 TO 2329+00.00**  
 SCALE: 1"=20'  
 DATE: FEBRUARY 13, 2009  
 DRAWN BY: AMB, MAF, TB  
 CHECKED BY: TGB, MI

**TYLIN** INTERNATIONAL

3/19/2009 1:28:54 PM