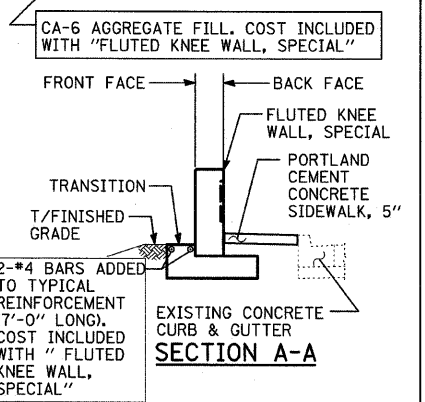
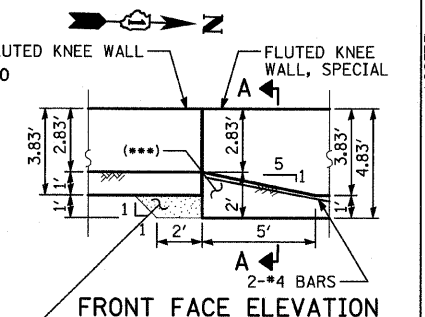
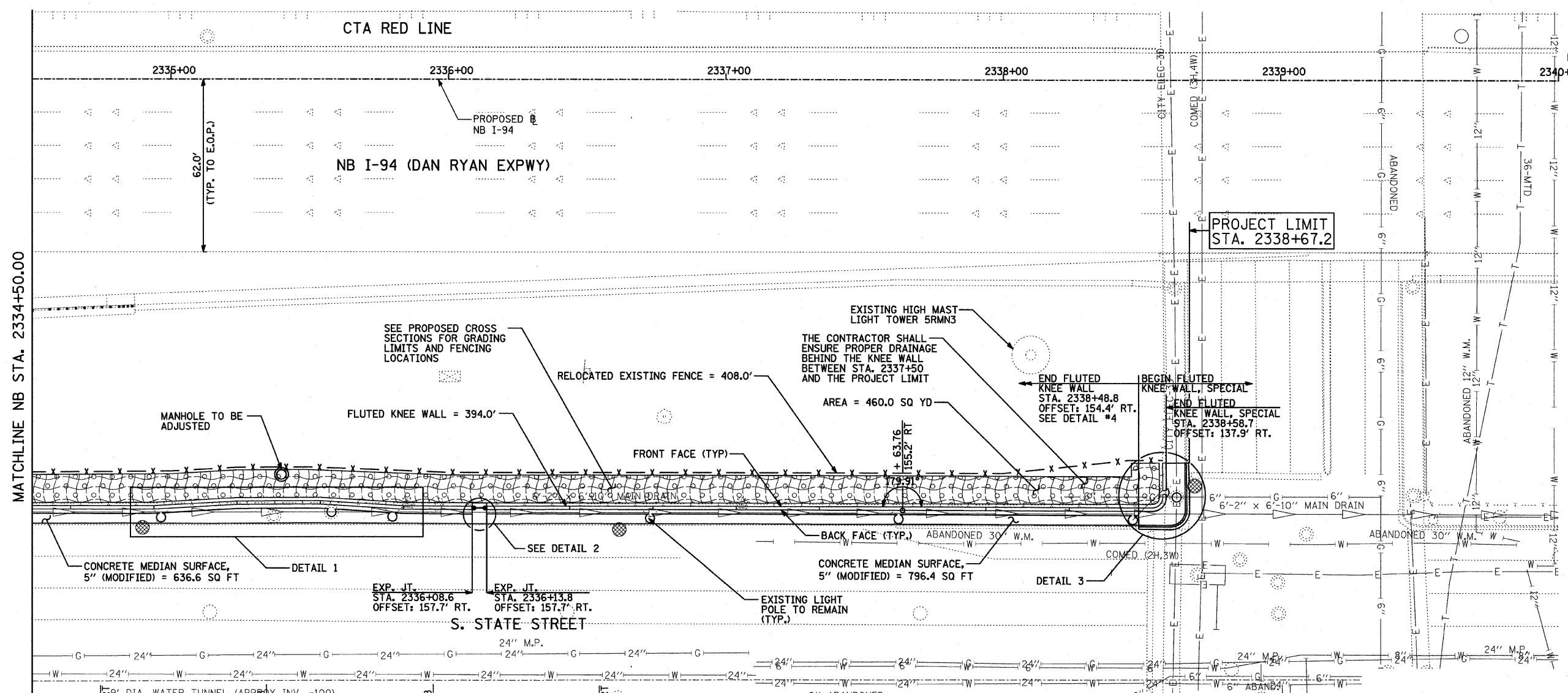
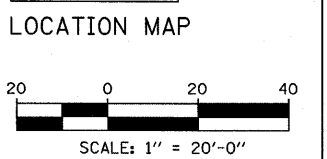
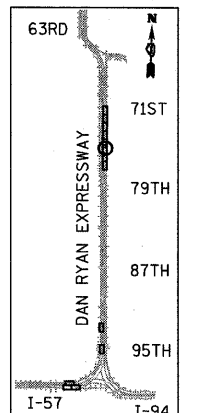


F.A.I. RTE.	SECTION	COUNTY	TOTAL SHEETS	SHEET NO.
94	1818 1-6	COOK	42	21
STA. 2327+79.39 TO STA. 2338+67.22		ILLINOIS FED. AID PROJECT		
FED. ROAD DIST. NO.		62974		

*** ADDITIONAL CONCRETE AT FOOTING TRANSITION, COST INCLUDED WITH "FLUTED KNEE WALL, SPECIAL"

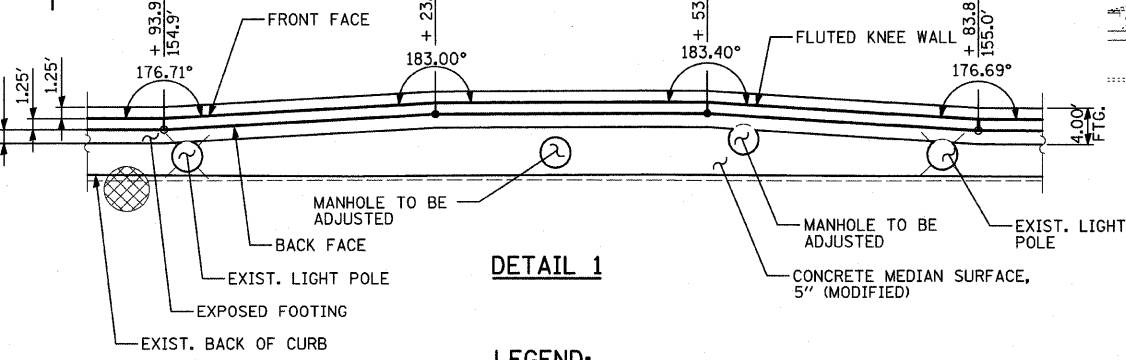


FOOTING TRANSITION-DETAIL 4 (FROM FLUTED KNEE WALL, SPECIAL TO FLUTED KNEE WALL)

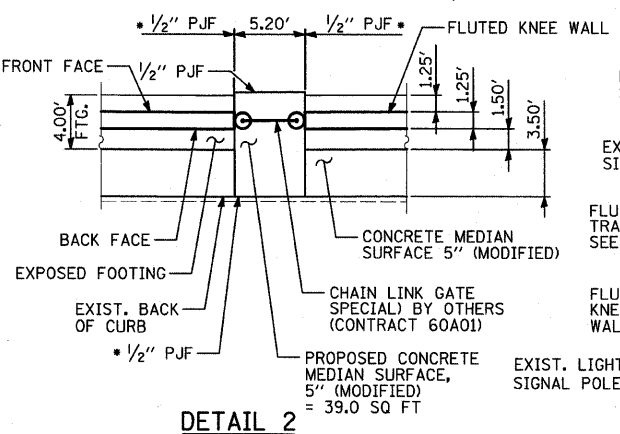


NOTES:

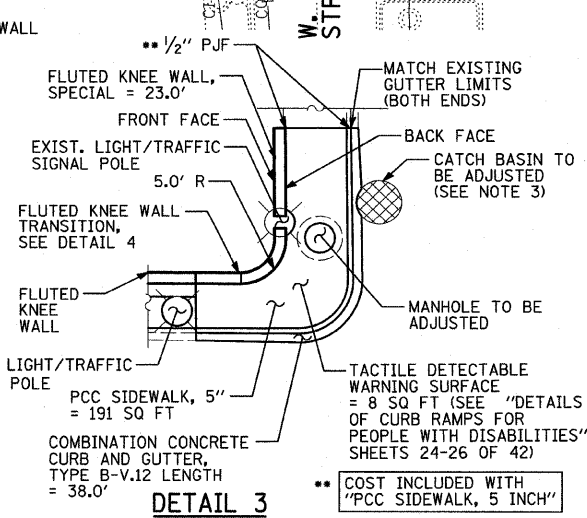
1. STATION AND OFFSET CALLOUTS ALONG THE LENGTH OF EITHER FLUTED KNEE WALL OR FLUTED KNEE WALL, SPECIAL ARE TAKEN FROM THE BACK FACE SIDE AT PROPOSED EXPANSION JOINT LOCATIONS.
2. THE CONTRACTOR SHALL PROTECT AND USE CAUTION DURING CONSTRUCTION OPERATIONS AROUND ALL EXISTING PUBLIC OR PRIVATE UTILITY FACILITIES.
3. ANY ADDITIONAL CONCRETE REQUIRED TO ADJUST THE STRUCTURE SHALL BE INCLUDED IN THE COST OF "CATCH BASINS TO BE ADJUSTED".



DETAIL 1



DETAIL 2



DETAIL 3

- LEGEND:**
- EROSION CONTROL BLANKET, SEEDING, CLASS 2A, NITROGEN, PHOSPHORUS, AND POTASSIUM FERTILIZER NUTRIENTS, TOPSOIL FURNISH AND PLACE, 4"
 - EROSION CONTROL BLANKET, SEEDING, CLASS 2A, NITROGEN, PHOSPHORUS, AND POTASSIUM FERTILIZER NUTRIENTS, TOPSOIL FURNISH AND PLACE, 12" COMPOST FURNISH AND PLACE, 6"
 - INLET FILTER
 - CONSTRUCTION JOINT AT FLUTED KNEE WALL BEND
 - EXPANSION JOINT

COST INCLUDED WITH "CONCRETE MEDIAN SURFACE, 5" MODIFIED"

COST INCLUDED WITH "PCC SIDEWALK, 5 INCH"

REVISIONS	
NAME	DATE

ILLINOIS DEPARTMENT OF TRANSPORTATION
F.A.I. 94 (DAN RYAN EXPRESSWAY)
PROPOSED PLAN
NB I-94 (DAN RYAN EXPRESSWAY)
STA. 2334+50.00 TO 2340+00.00
 SCALE: 1"=20'
 DATE: FEBRUARY 13, 2009
 DRAWN BY: AMB, MAF, TB
 CHECKED BY: TGB, MI

TYLIN INTERNATIONAL