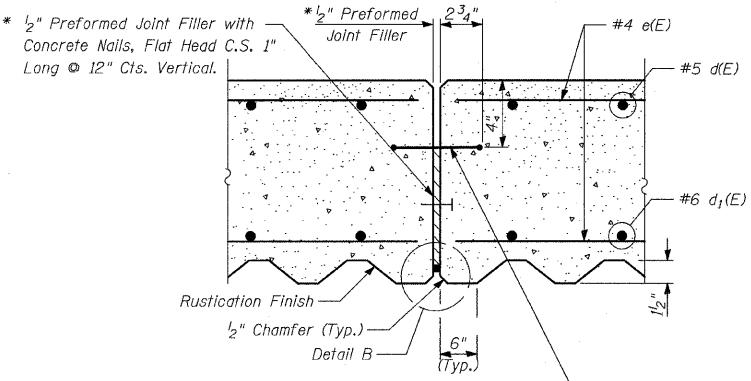


BACK FACE ELEVATION - FLUTED KNEE WALL AND CHAIN LINK FENCE

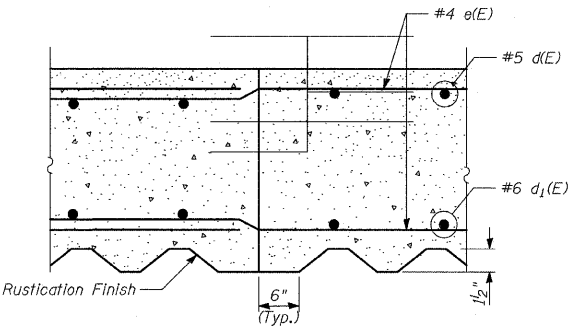
TYPICAL SECTION FLUTED KNEE WALL

Sta. 2328+27.1 to Sta. 2332+08.7

- NOTES:**
- Reinforcement Bar Shall Conform to the Requirements of AASHTO M-31 or M-322 Grade 60
 - Concrete: $f'c = 3500$ psi
 - Fluted Knee Wall shall be paid for per foot as "Fluted Knee Wall." Included in the cost of "Fluted Knee Wall" shall be "Concrete Superstructure" stem, "Concrete Structures" foundation, reinforcement bars (epoxy coated), rustication finish, protective coat, expansion joint filler and sealing compound.
 - At Locations Where Fluted Knee Wall Abuts a Rigid Structure, a $\frac{1}{2}$ " Thick Preformed Expansion Joint Filler Conforming to the Shape of the Structure Shall be Installed Between the Wall and the Structure. A $\frac{1}{2}$ " P/JF Shall be Installed where Fluted Knee Wall Footing abuts curb and gutter. The cost shall be included in "Fluted Knee Wall".
 - Quantities shown in "BILL OF MATERIAL" are for one (1) foot of "Fluted Knee Wall".
 - Chain Link Fence, 42" Attached to Structure will not be paid for in this contract, but shall be furnished and installed by others in Contract 60A01.
 - Protective Coat shall be applied according to Section 503.19 of the Standard Specifications to all concrete surfaces not in contact with soil for the typical section of the fluted knee wall. The cost shall be included in "Fluted Knee Wall"
 - All concrete edges shall be chamfered $\frac{3}{4}$ " except as noted.
 - All Expansion Joints shall be at Maximum spacing of 90' with construction joints at 30'.
 - All construction joints shall be bonded.
 - The top of the footing shall be broom finished.



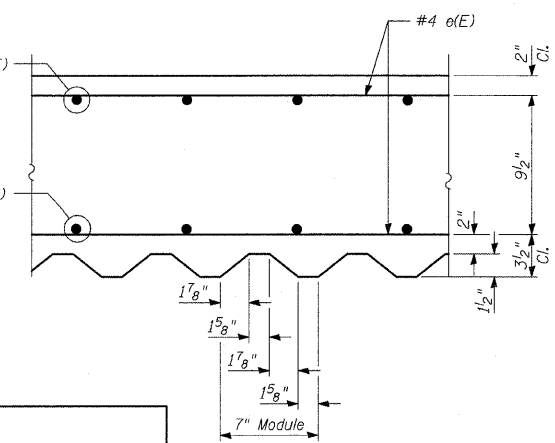
EXPANSION JOINT DETAILS



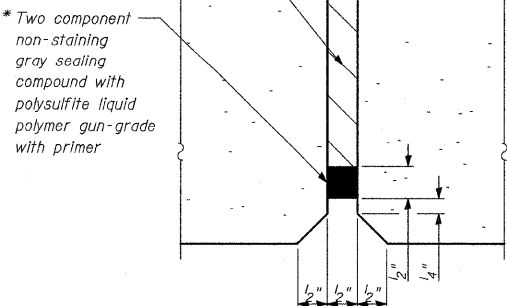
CONSTRUCTION JOINT DETAILS

LAP SPLICES

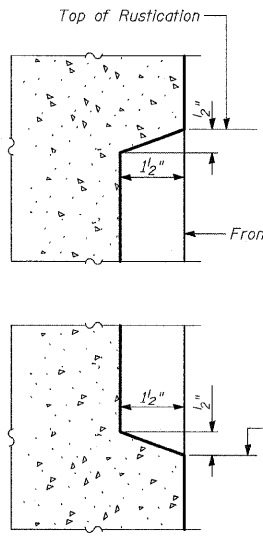
| Bar | Lap |
|-----|-------|
| #4 | 1'-8" |
| #5 | 2'-2" |
| #6 | 2'-7" |



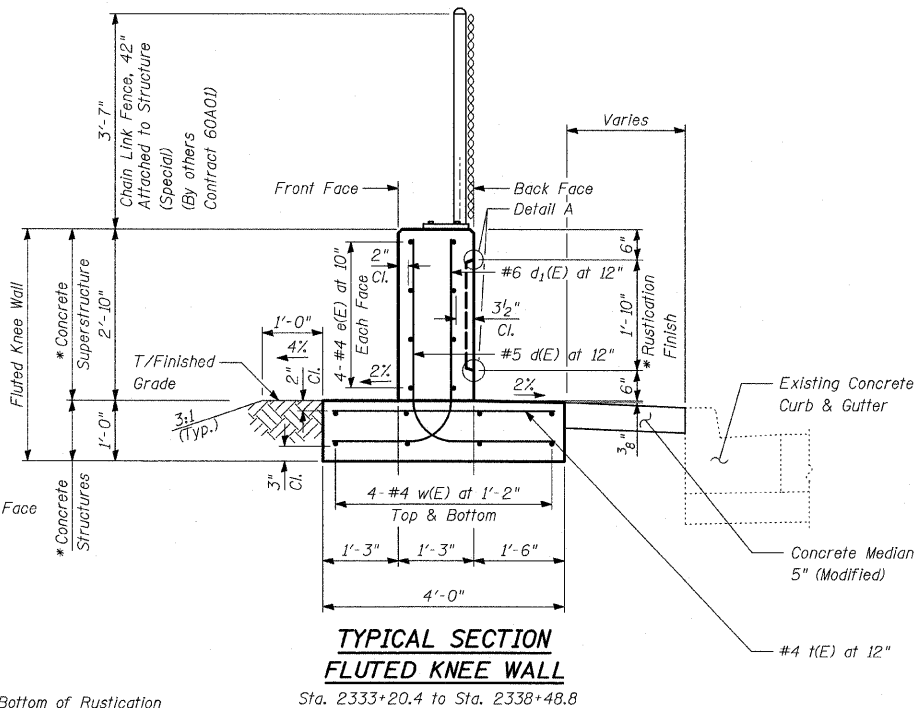
SECTION A-A



DETAIL B



DETAIL A



TYPICAL SECTION FLUTED KNEE WALL

Sta. 2333+20.4 to Sta. 2338+48.8

BILL OF MATERIAL

| QUANTITIES PER FOOT OF FLUTED KNEE WALL | | |
|---|-------|-------|
| ITEM | UNIT | TOTAL |
| Concrete Structures | CU YD | 0.15 |
| Concrete Superstructure | CU YD | 0.14 |
| Protective Coat | SQ YD | 1.08 |
| Rustication Finish | SQ FT | 1.84 |
| Reinforcement Bars, Epoxy Coated | POUND | 27.9 |

| REVISIONS | |
|-----------|------|
| NAME | DATE |
| | |
| | |
| | |
| | |
| | |

ILLINOIS DEPARTMENT OF TRANSPORTATION
**F.A.I. 94 (DAN RYAN EXPRESSWAY)
 FLUTED KNEE WALL ALONG STATE STREET
 N. OF 77TH ST. TO S. OF 75TH ST.
 FLUTED KNEE WALL STANDARD DETAILS**

S.N. DESIGNED BY: MAF
 SCALE: N.T.S. DRAWN BY: MAF, TB
 DATE: FEBRUARY 13, 2009 CHECKED BY: MI

TYLIN INTERNATIONAL

3/19/2009 1:22:11 PM