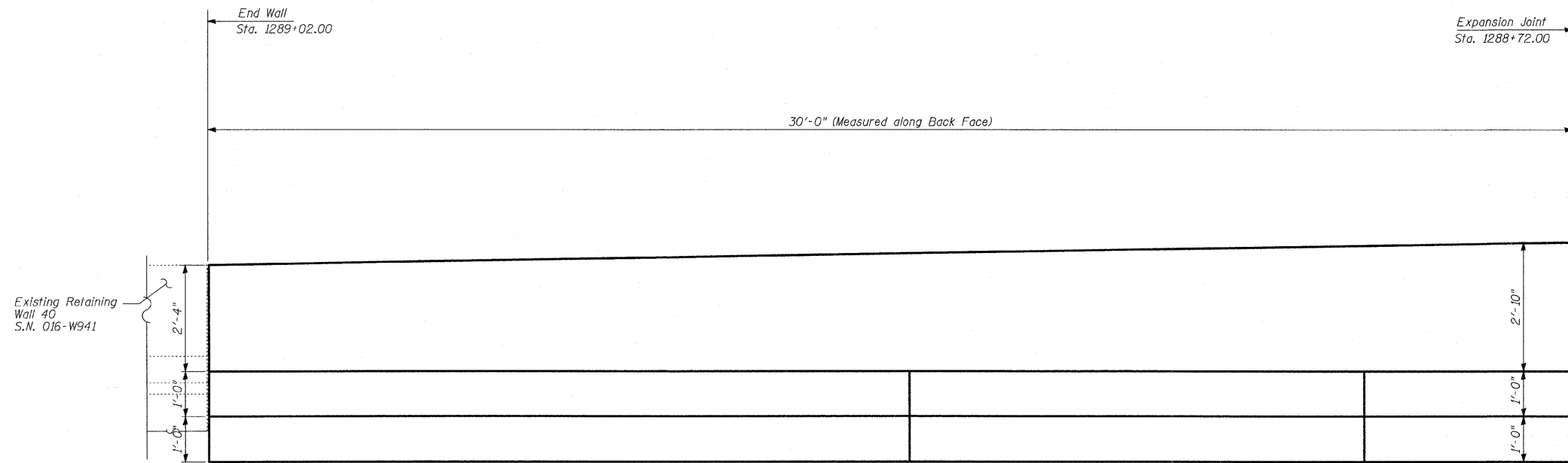
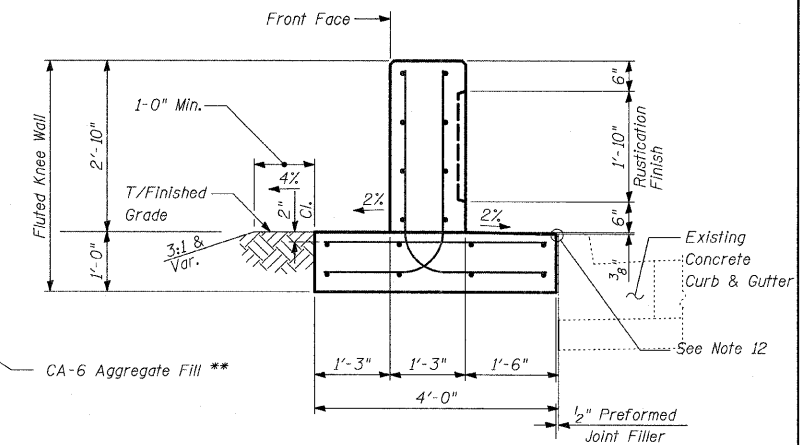


F.A.I. RTE.	SECTION	COUNTY	TOTAL SHEETS	SHEET NO.
94	1717 I-9	COOK	48	28
STA. 1273+74.31		TO STA. 1289+11.91		
FED. ROAD DIST. NO.		ILLINOIS FED. AID PROJECT		

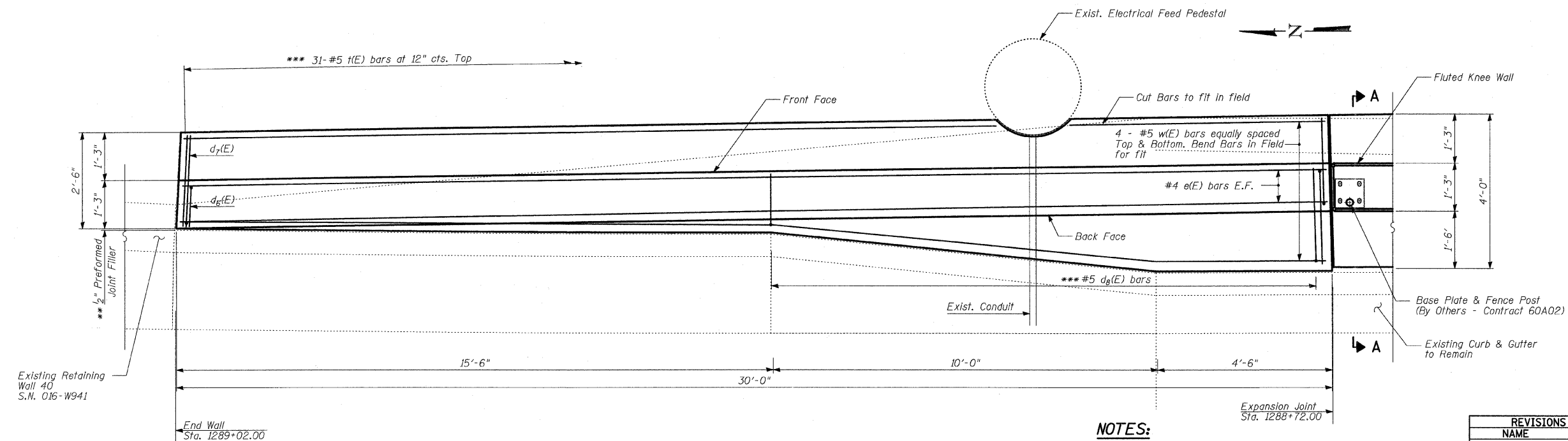
62980



BACK FACE ELEVATION - FLUTED KNEE WALL AT SB EXIT RAMP TO 83RD ST.



SECTION A-A



PLAN - FLUTED KNEE WALL AT SB EXIT RAMP TO 83RD ST.

**NOTES:**

- 1. For Notes, See Fluted Knee Wall Transition Details (2 of 2) Sheet.
- \*\* Cost included with "Concrete Structures"
- \*\*\* Cut bars to fit in field.

REVISIONS	
NAME	DATE

ILLINOIS DEPARTMENT OF TRANSPORTATION  
 F.A.I. 94 (DAN RYAN EXPRESSWAY)  
 FLUTED KNEE WALL ALONG LAFAYETTE AVENUE  
 N. 85TH ST. TO N. OF 83RD ST.  
 FLUTED KNEE WALL TRANSITION DETAILS  
 (1 OF 2)

S.N. DESIGNED BY: MAF  
 SCALE: N.T.S. DRAWN BY: MAF  
 DATE: OCTOBER 17, 2008 CHECKED BY: PF

**TYLIN** INTERNATIONAL

10/16/2008 4:38:54 PM P:\02-31-Structur\c264\w264a1\264a102-3a.dgn