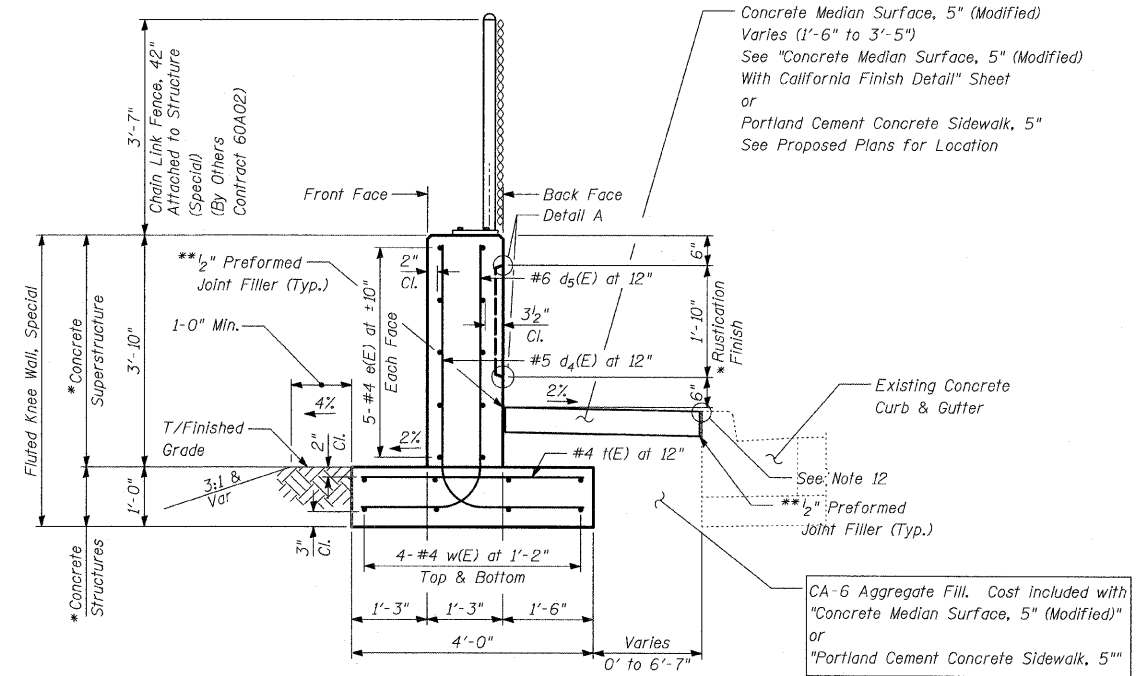
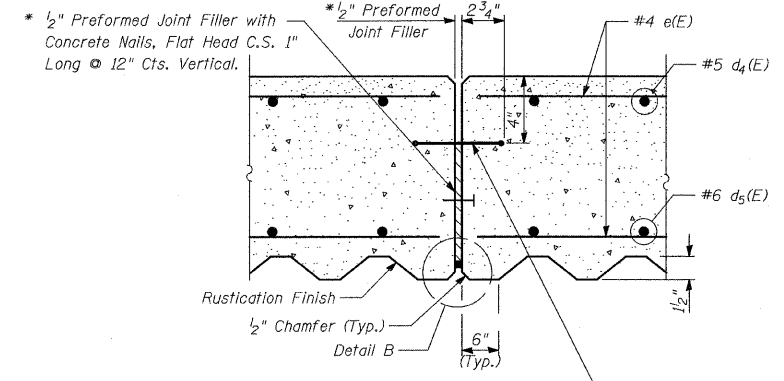


BACK FACE ELEVATION - FLUTED KNEE WALL, SPECIAL AND CHAIN LINK FENCE

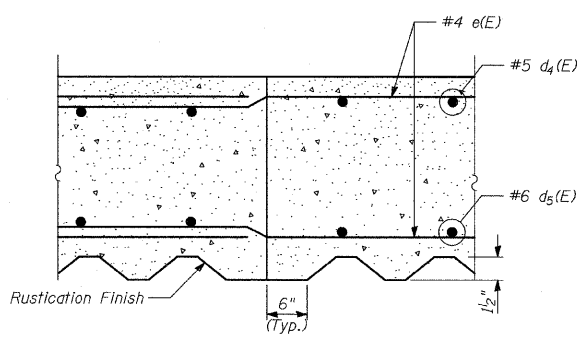


TYPICAL SECTION FLUTED KNEE WALL, SPECIAL

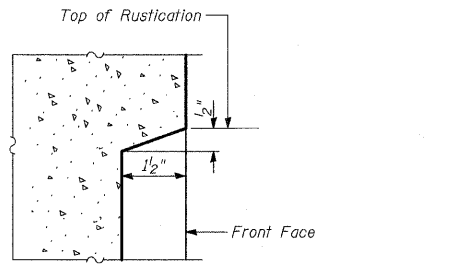
Sta. 1273+74.3 to Sta. 1274+04.3
Sta. 1285+28.8 to Sta. 1285+42.8



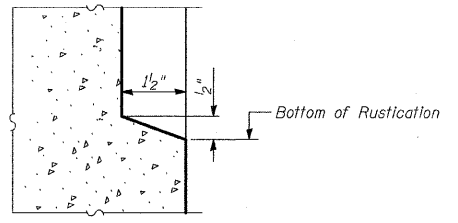
EXPANSION JOINT DETAILS



CONSTRUCTION JOINT DETAILS



DETAIL A



DETAIL B

BILL OF MATERIAL

QUANTITIES PER FOOT OF FLUTED KNEE WALL, SPECIAL

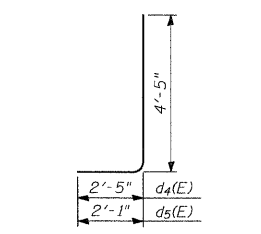
ITEM	UNIT	TOTAL
Concrete Structures	CU YD	0.15
Concrete Superstructure	CU YD	0.18
Protective Coat	SQ YD	1.01
Rustication Finish	SQ FT	1.84
Reinforcement Bars, Epoxy Coated	POUND	31.8

NOTES:

1. For notes, see "Fluted Knee Wall Standard Details" Sheet 27 of 48.

* Cost included with "Fluted Knee Wall, Special."

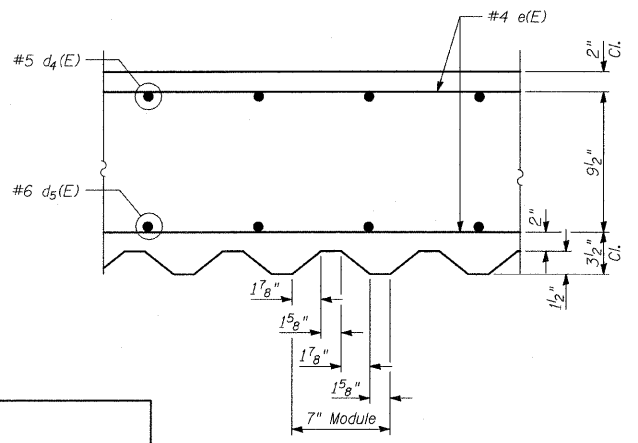
** Cost included with "Concrete Median Surface, 5" (Modified)" or "Portland Cement Concrete Sidewalk, 5"



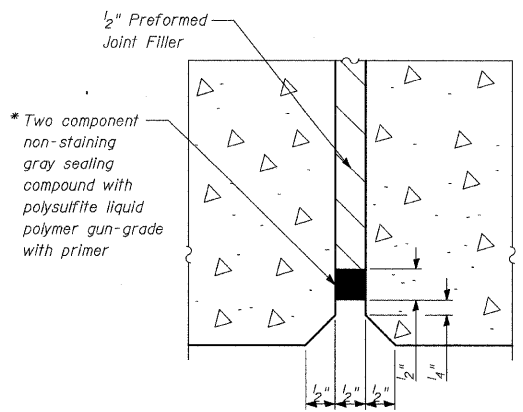
BARS d4(E) & d5(E)

LAP SPLICES

Bar	Lap
#4	1'-8"
#5	2'-2"
#6	2'-7"



SECTION A-A



DETAIL B

TYLIN INTERNATIONAL

REVISIONS	
NAME	DATE

ILLINOIS DEPARTMENT OF TRANSPORTATION
F.A.I. 94 (DAN RYAN EXPRESSWAY)
FLUTED KNEE WALL, SPECIAL
ALONG LAFAYETTE AVENUE
N. 85TH ST. TO N. 83RD ST.
FLUTED KNEE WALL, SPECIAL STANDARD DETAILS
DESIGNED BY: MAF
SCALE: N.T.S.
DATE: OCTOBER 17, 2008
DRAWN BY: MAF
CHECKED BY: PF

10/16/2008 4:39:54 PM P:\02373\structure\62980\dwg\62980.dwg