

F.A.I. RTE.	SECTION	COUNTY	TOTAL SHEETS	SHEET NO.
94	1818 I-9	COOK	49	18
STA. 1329+49.25		TO STA. 1347+21.51		
FED. ROAD DIST. NO.		ILLINOIS FED. AID PROJECT		

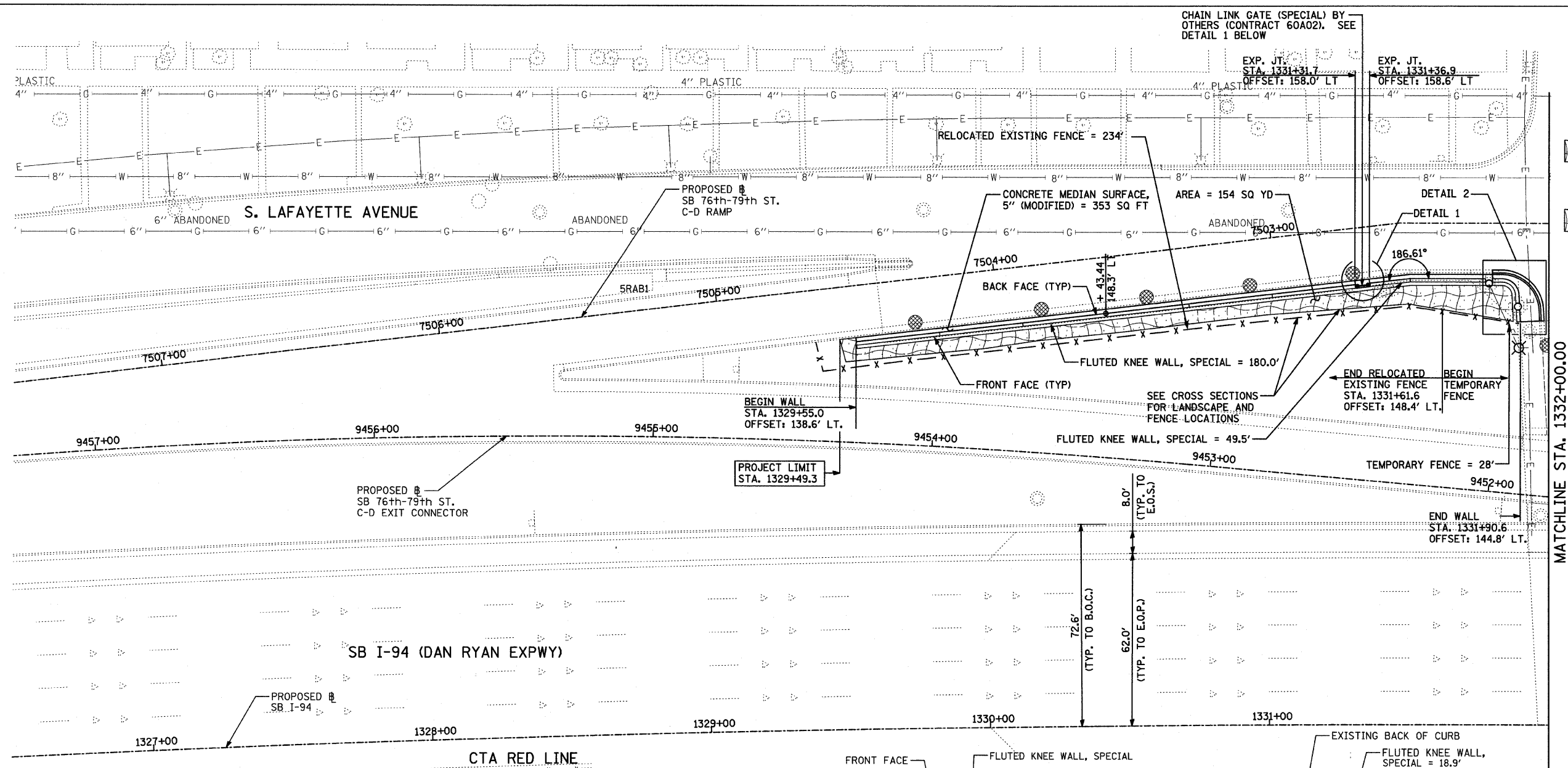
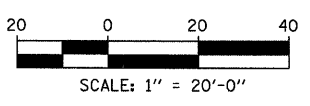
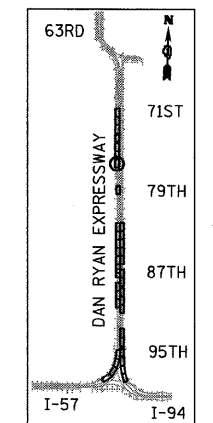
62981

LEGEND:

- EROSION CONTROL BLANKET, SEEDING, CLASS 2A, NITROGEN, PHOSPHORUS, AND POTASSIUM FERTILIZER NUTRIENTS, TOPSOIL FURNISH AND PLACE, 4"
- EROSION CONTROL BLANKET, SEEDING, CLASS 2A, NITROGEN, PHOSPHORUS, AND POTASSIUM FERTILIZER NUTRIENTS, TOPSOIL FURNISH AND PLACE, 12"
- INLET FILTER

NOTES:

1. STATION AND OFFSET CALLOUTS ALONG THE LENGTH OF EITHER FLUTED KNEE WALL OR FLUTED KNEE WALL, SPECIAL ARE TAKEN FROM THE BACK FACE SIDE AT PROPOSED EXPANSION JOINT LOCATIONS.
2. THE CONTRACTOR SHALL PROTECT AND USE CAUTION DURING CONSTRUCTION OPERATIONS AROUND ALL EXISTING PUBLIC OR PRIVATE UTILITY FACILITIES.



CHAIN LINK GATE (SPECIAL) BY OTHERS (CONTRACT 60A02). SEE DETAIL 1 BELOW

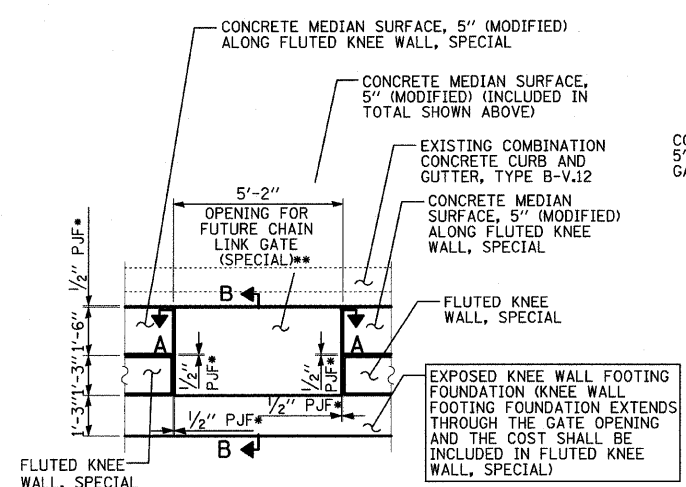
EXP. JT. STA. 1331+31.7 OFFSET: 158.0' LT
EXP. JT. STA. 1331+36.9 OFFSET: 158.6' LT

RELOCATED EXISTING FENCE = 234'

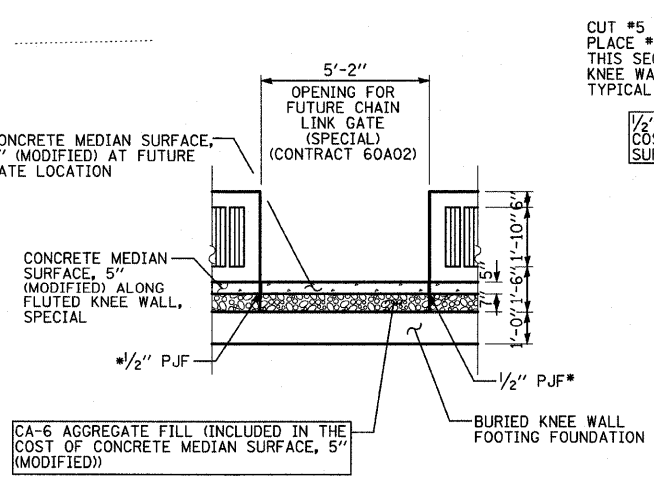
CONCRETE MEDIAN SURFACE, 5" (MODIFIED) = 353 SQ FT
AREA = 154 SQ YD

PROJECT LIMIT STA. 1329+49.3

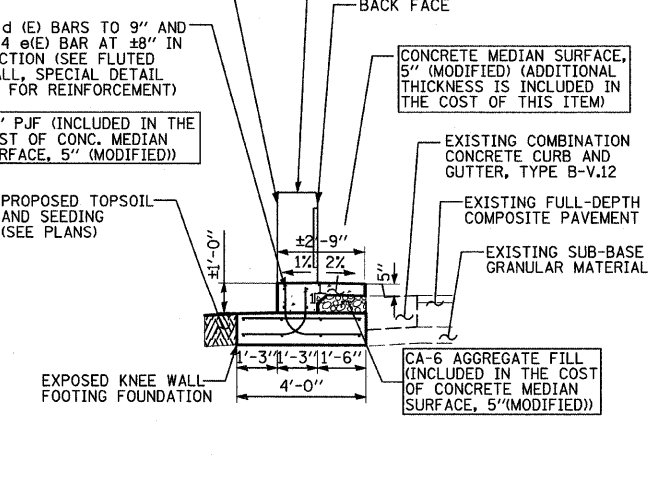
MATCHLINE STA. 1332+00.00



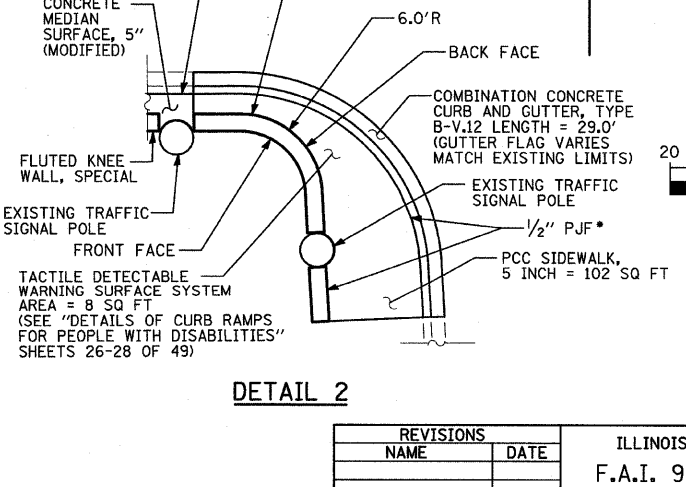
PLAN VIEW



SECTION A-A - BACK FACE ELEVATION



SECTION B-B - CROSS SECTION VIEW



DETAIL 2

REVISIONS	
NAME	DATE

ILLINOIS DEPARTMENT OF TRANSPORTATION
F.A.I. 94 (DAN RYAN EXPRESSWAY)
PROPOSED PLAN
SB I-94 (DAN RYAN EXPRESSWAY)
STA. 1327+00.00 TO STA. 1332+00.00

SCALE: 1"=20'
DATE: OCTOBER 17, 2008
DRAWN BY: AMB, MAF, TB
CHECKED BY: TGB, MI

TYLIN INTERNATIONAL

DETAIL 1 - CONCRETE MEDIAN SURFACE, 5" (MODIFIED)
- AT FUTURE CHAIN LINK GATE (SPECIAL) LOCATION
WITH FLUTED KNEE WALL, SPECIAL

10/17/2008 8:52:11 AM