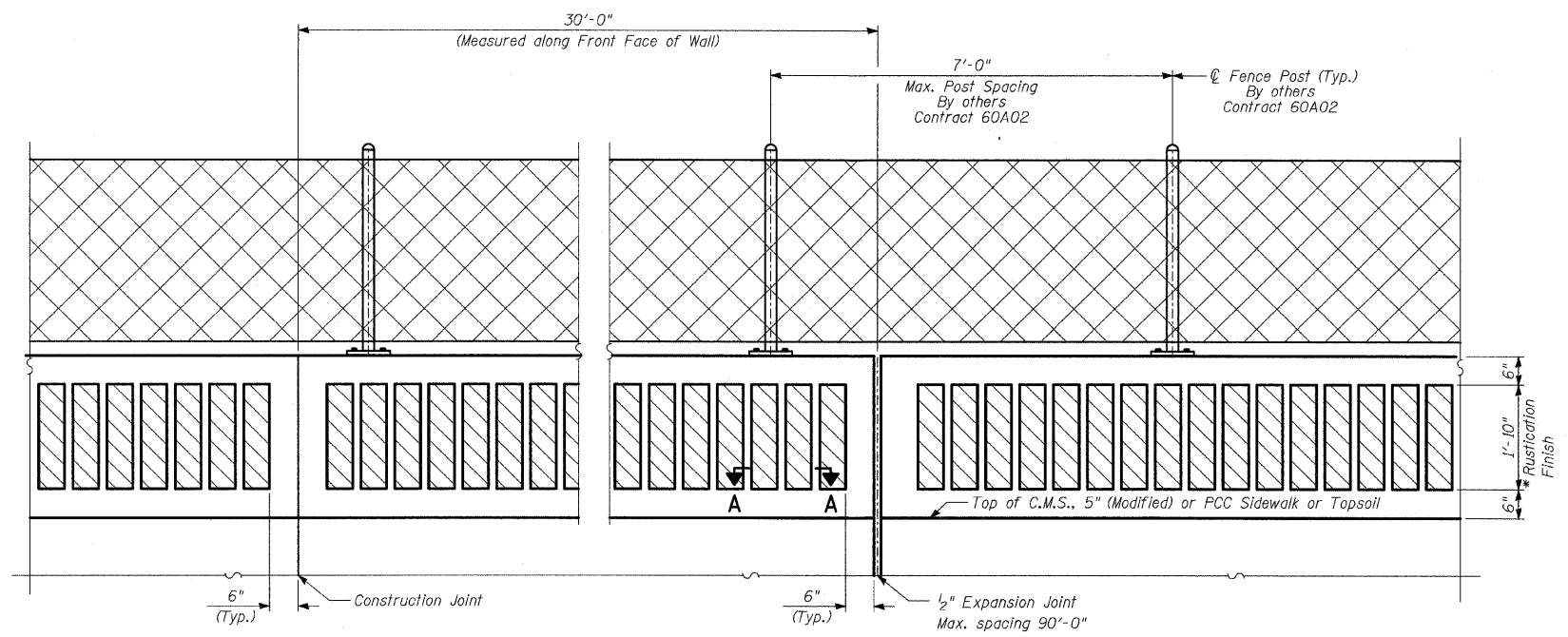
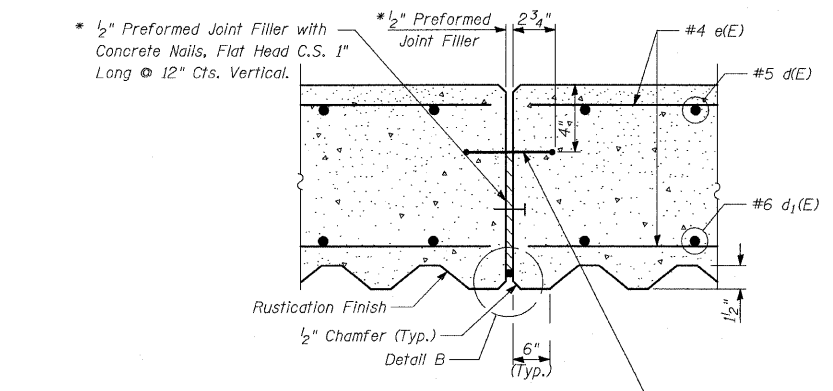


F.A.I. RTE.	SECTION	COUNTY	TOTAL SHEETS	SHEET NO.
94	1818 I-9	COOK	49	30
STA. 1329+49.25		TO STA. 1347+21.51		
FED. ROAD DIST. NO.		ILLINOIS FED. AID PROJECT		

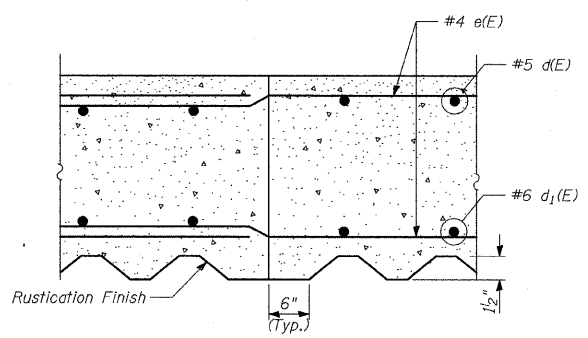
62981



**BACK FACE ELEVATION - FLUTED KNEE WALL, SPECIAL AND CHAIN LINK FENCE**



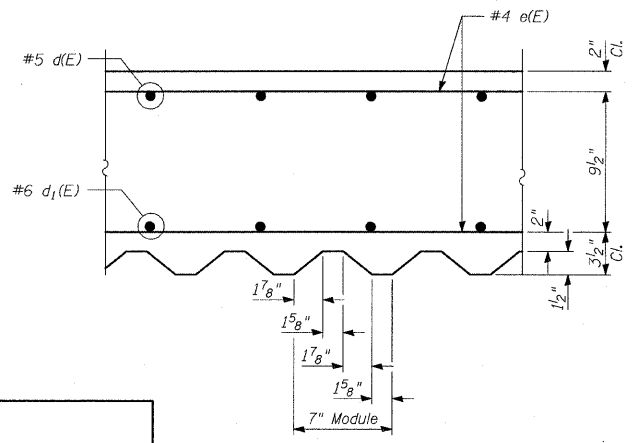
**EXPANSION JOINT DETAILS**



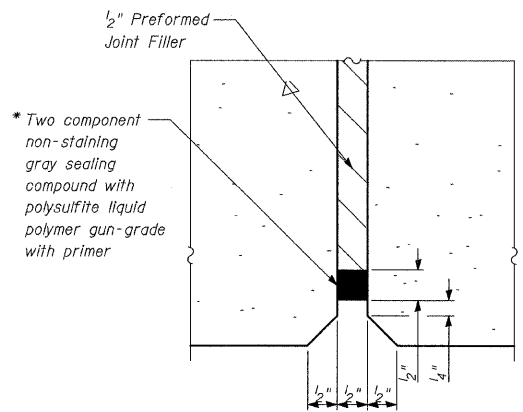
**CONSTRUCTION JOINT DETAILS**

**LAP SPLICES**

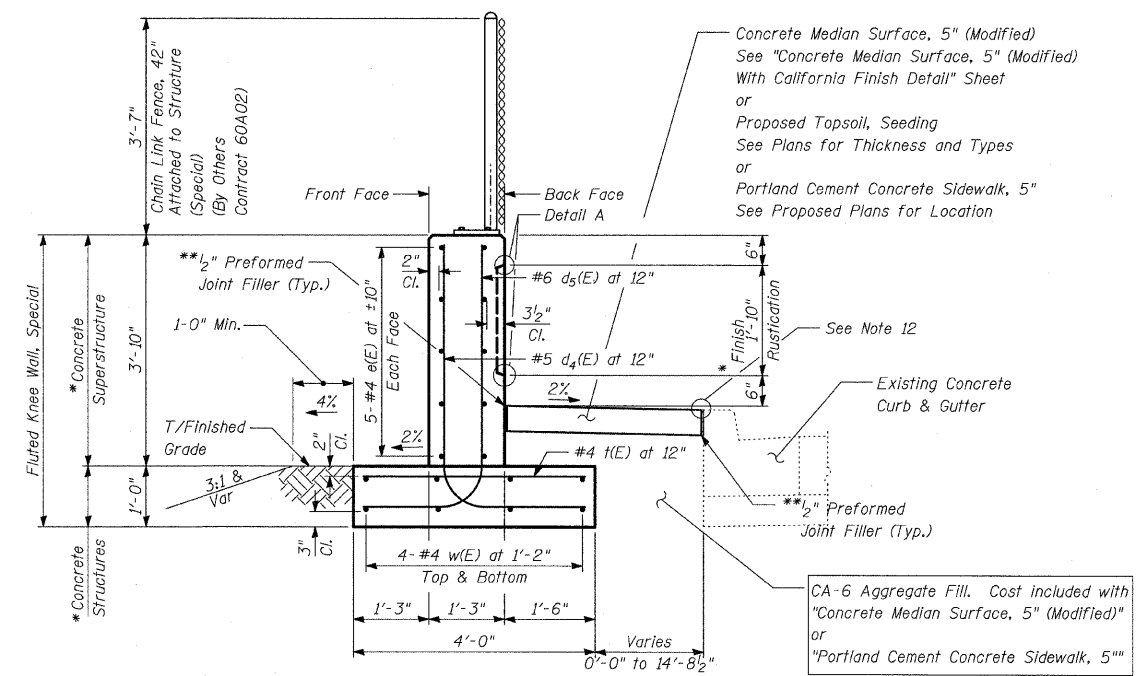
Bar	Lap
#4	1'-8"
#5	2'-2"
#6	2'-7"



**SECTION A-A**



**DETAIL B**

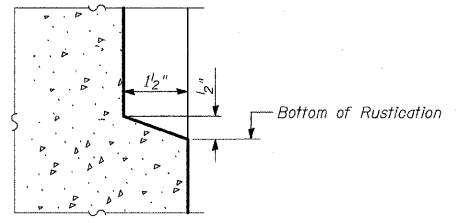
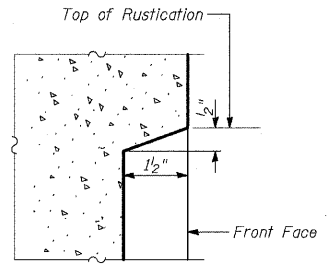


**TYPICAL SECTION FLUTED KNEE WALL, SPECIAL**

Sta. 1329+55.0 to Sta. 1331+89.8  
 Sta. 1332+70.9 to Sta. 1332+81.5  
 Sta. 1338+28.1 to Sta. 1338+38.2  
 Sta. 1339+31.2 to Sta. 1339+41.2  
 Sta. 1345+66.2 to Sta. 1347+14.0

**BILL OF MATERIAL**

QUANTITIES PER FOOT OF FLUTED KNEE WALL, SPECIAL		
ITEM	UNIT	TOTAL
Concrete Structures	CU YD	0.15
Concrete Superstructure	CU YD	0.18
Protective Coat	SQ YD	1.01
Rustication Finish	SQ FT	1.84
Reinforcement Bars, Epoxy Coated	POUND	31.8



**DETAIL A**

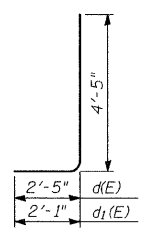
**NOTES:**

1. For notes, see "Fluted Knee Wall Standard Details (29 of 49)" sheet.

\* Cost included with "Fluted Knee Wall, Special."

\*\* Cost included with "Concrete Median Surface, 5" (Modified)" or "Portland Cement Concrete Sidewalk 5 Inch"

**BARS d<sub>4</sub>(E) & d<sub>5</sub>(E)**



REVISIONS	
NAME	DATE

ILLINOIS DEPARTMENT OF TRANSPORTATION  
 F.A.I. 94 (DAN RYAN EXPRESSWAY)  
 FLUTED KNEE WALL, SPECIAL ALONG  
 LAFAYETTE AVE., 79TH ST. TO 73RD ST.  
 FLUTED KNEE WALL, SPECIAL STANDARD DETAILS

S.N. DESIGNED BY: MAF  
 SCALE: N.T.S. DRAWN BY: MAF, TB  
 DATE: OCTOBER 17, 2008 CHECKED BY: MI