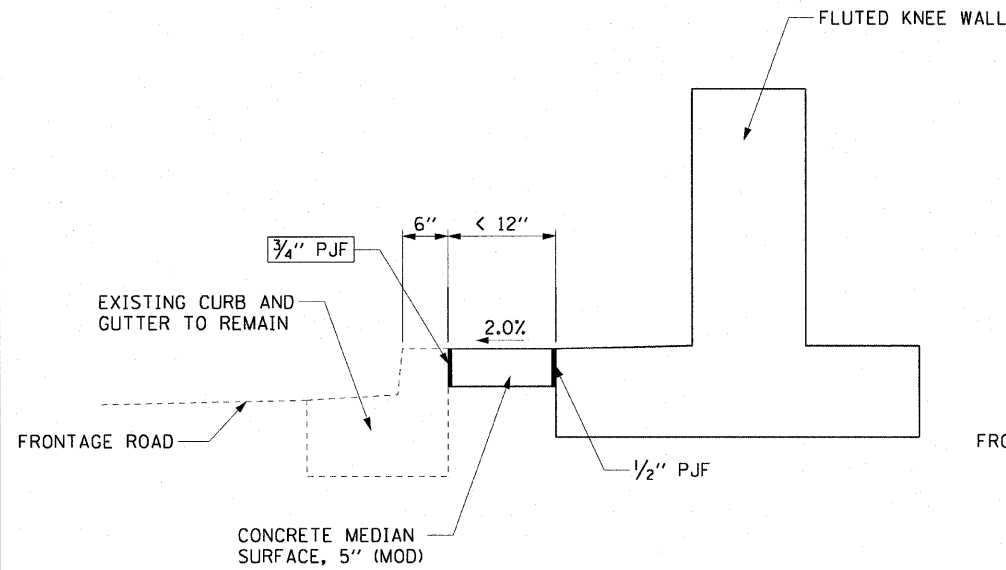
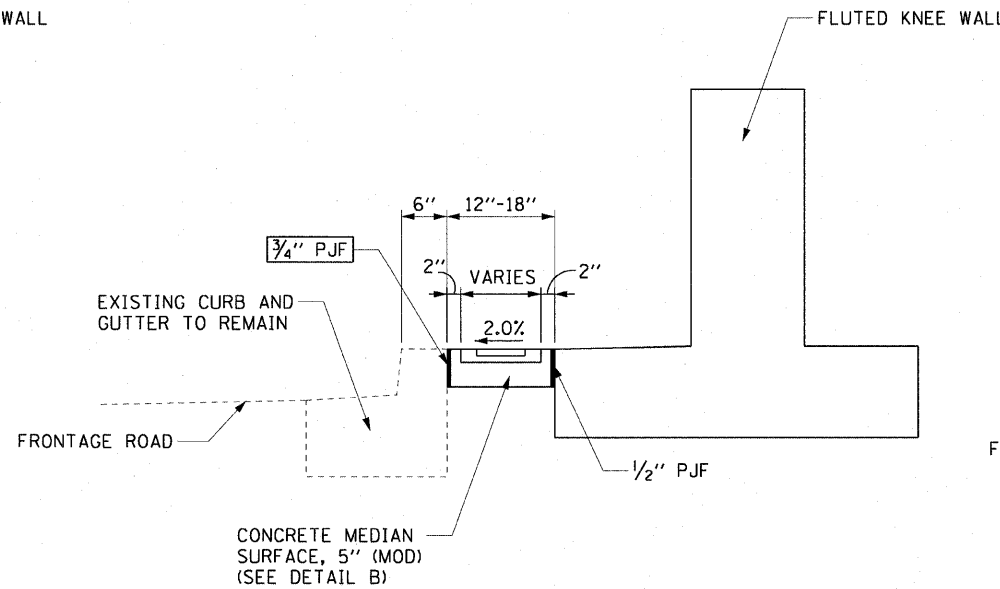


THIS OPTION WILL BE USED WHEN THE CARRIAGE WALK AREA MEASURES < 12" IN WIDTH



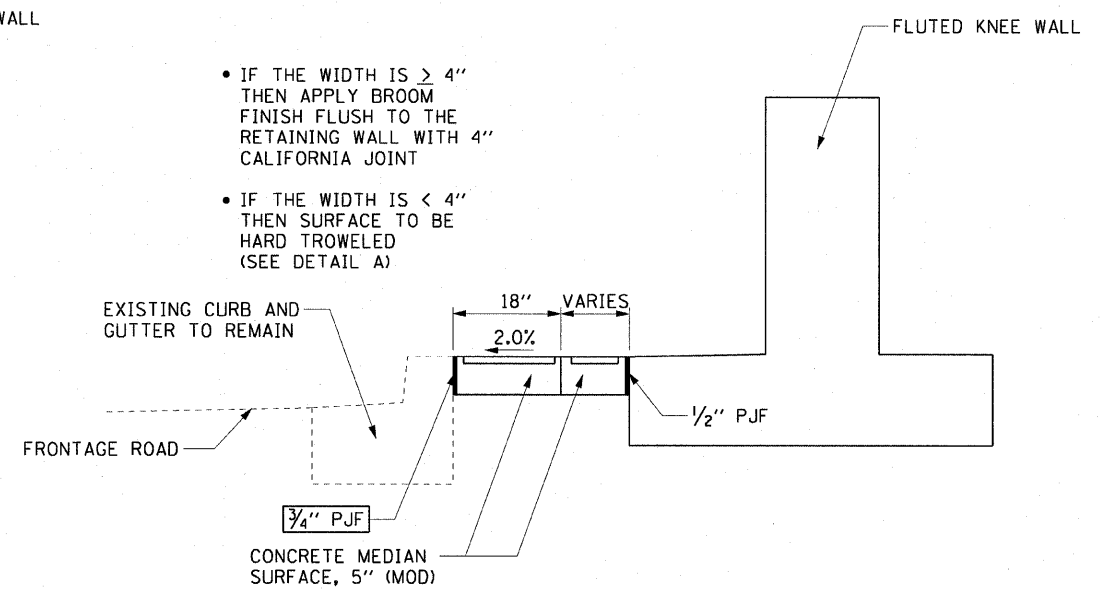
CARRIAGE WALK
AREA < 12" WIDE

THIS OPTION WILL BE USED WHEN THE CARRIAGE WALK AREA MEASURES 12" TO 18" IN WIDTH



CARRIAGE WALK
AREA 12" TO 18" WIDE

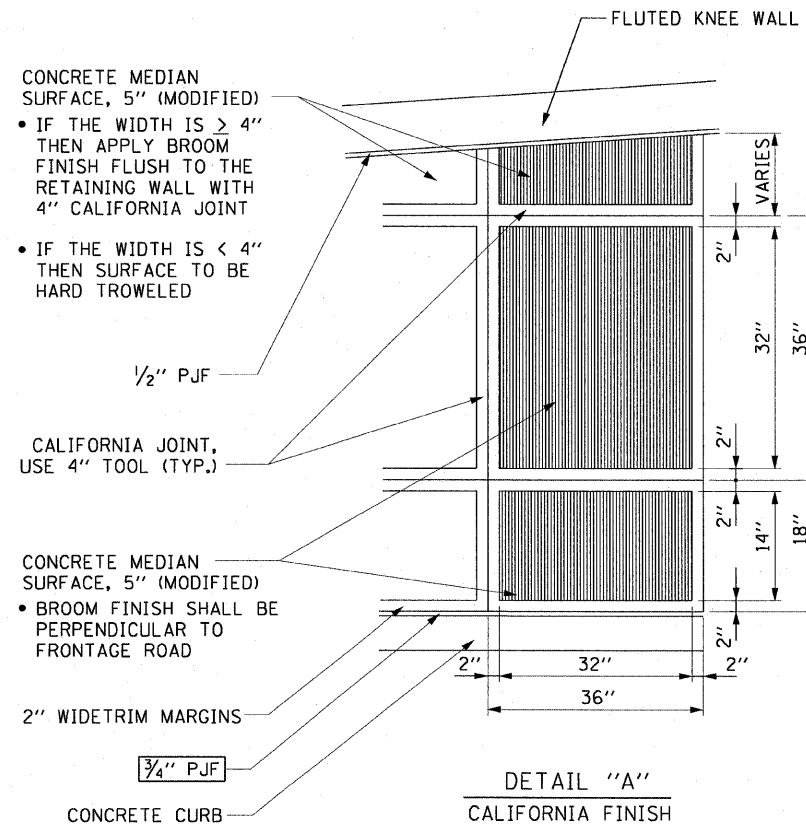
THIS OPTION WILL BE USED WHEN THE CARRIAGE WALK AREA MEASURES > 18" IN WIDTH



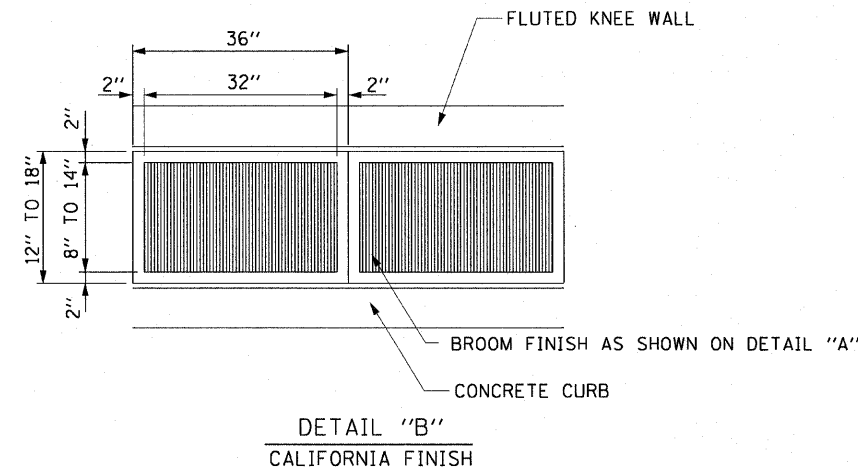
CARRIAGE WALK
AREA > 18" WIDE

NOTES:

3/4" PREFORMED JOINT FILLER SHALL BE INCLUDED IN THE COST OF THE CONCRETE MEDIAN SURFACE, 5" (MODIFIED).



DETAIL "A"
CALIFORNIA FINISH



DETAIL "B"
CALIFORNIA FINISH

REVISIONS	
NAME	DATE

ILLINOIS DEPARTMENT OF TRANSPORTATION
F.A.I. 90/94 (DAN RYAN EXPRESSWAY)
71ST ST TO 63RD ST (NORTHBOUND KNEE WALLS)
ROADWAY DETAILS
CONCRETE MEDIAN SURFACE, 5" (MODIFIED)
CARRIAGE WALK AND CALIFORNIA FINISH DETAIL

SCALE: NONE
DATE: JANUARY 14, 2009

DRAWN BY: PHP
CHECKED BY: NJH

I:\projects\90468\p40468\civil\28-knee_wall_fence\sheet\contract\27d\m27d002\asht