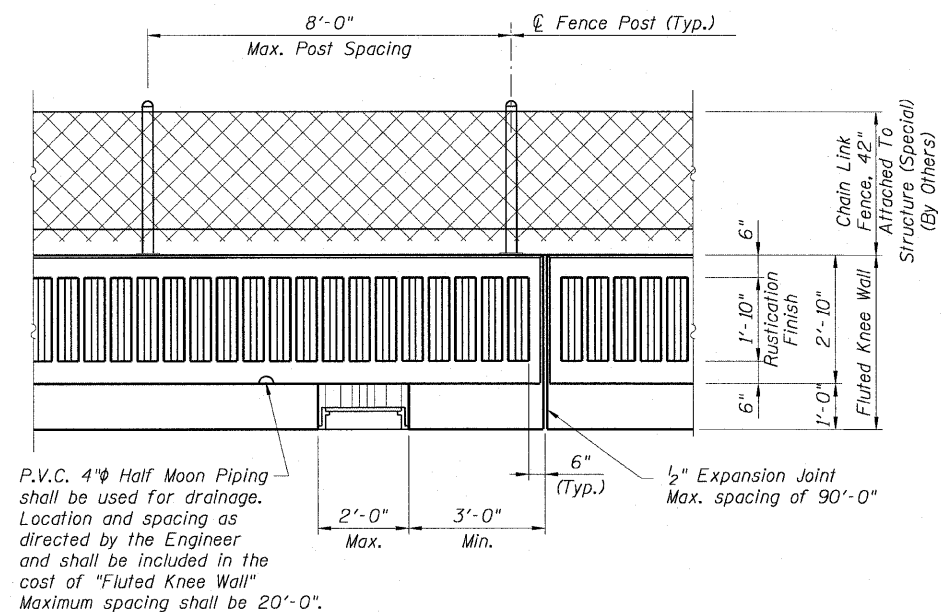
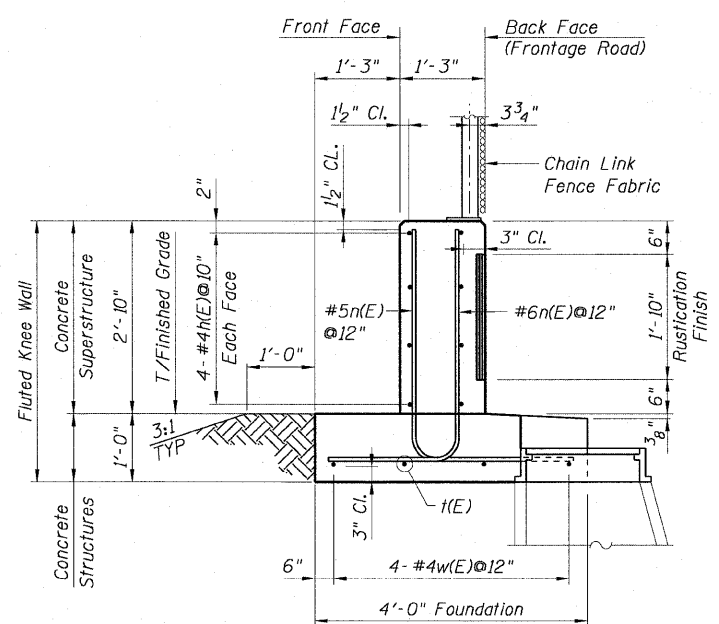


STATE OF ILLINOIS
DEPARTMENT OF TRANSPORTATION

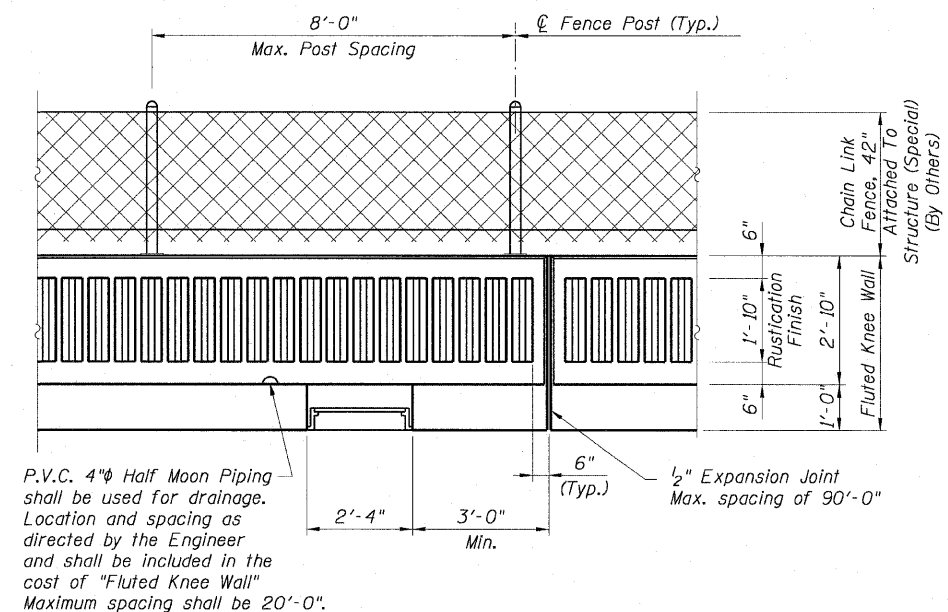
F.A.I. RTE.	SECTION	COUNTY	TOTAL SHEETS	SHEET NO.
90/94		COOK	45	41
STA.	TO STA.			
FED. ROAD DIST. NO. 1	ILLINOIS	FED. AID PROJECT		
(1818, 1919, 1919.15)	I-11			62983



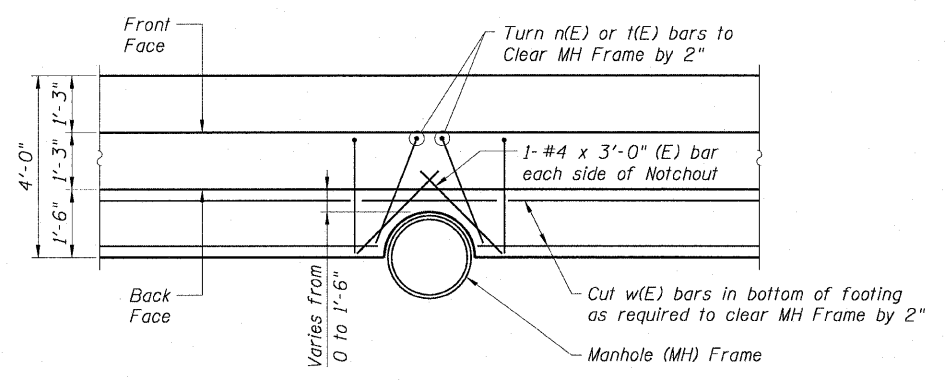
BACK FACE ELEVATION



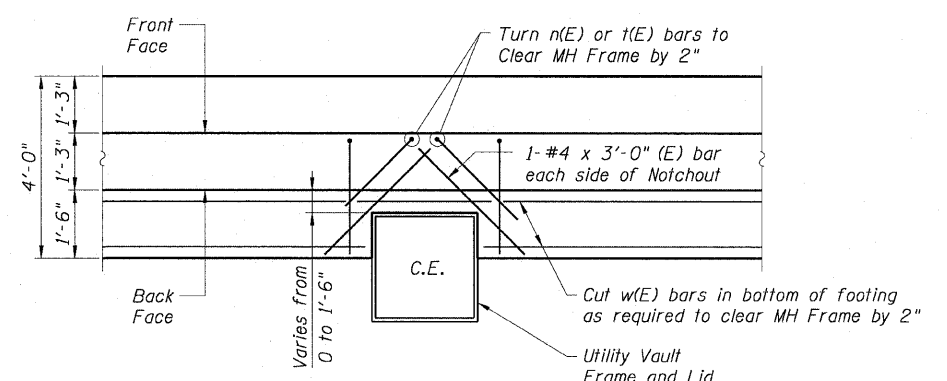
TYPICAL SECTION AT NOTCH OUT



BACK FACE ELEVATION



PARTIAL PLAN
TYPICAL NOTCH OUT DETAILS AT MANHOLE FRAMES



PARTIAL PLAN
TYPICAL NOTCH OUT DETAILS AT UTILITY VAULTS

NOTE:
The cost of furnishing and installing the additional #4 bars in the bottom of the footing at notch outs are included with the cost of "FLUTED KNEE WALL".

AECOM

REVISIONS	
NAME	DATE

ILLINOIS DEPARTMENT OF TRANSPORTATION
F.A.I. 90/94 (DAN RYAN EXPRESSWAY)
71ST ST TO 63RD ST (NORTHBOUND KNEE WALLS)
**NOTCH OUT DETAILS FOR
FLUTED KNEE WALL FOOTING**
SCALE: None DRAWN BY: CHD
DATE: JANUARY 14, 2009 CHECKED BY: MJP

I:\scg\p207\p40468\p40468\struct\28-knee_wall\Fence\Sheet\contract 27\rv12\0072.gst