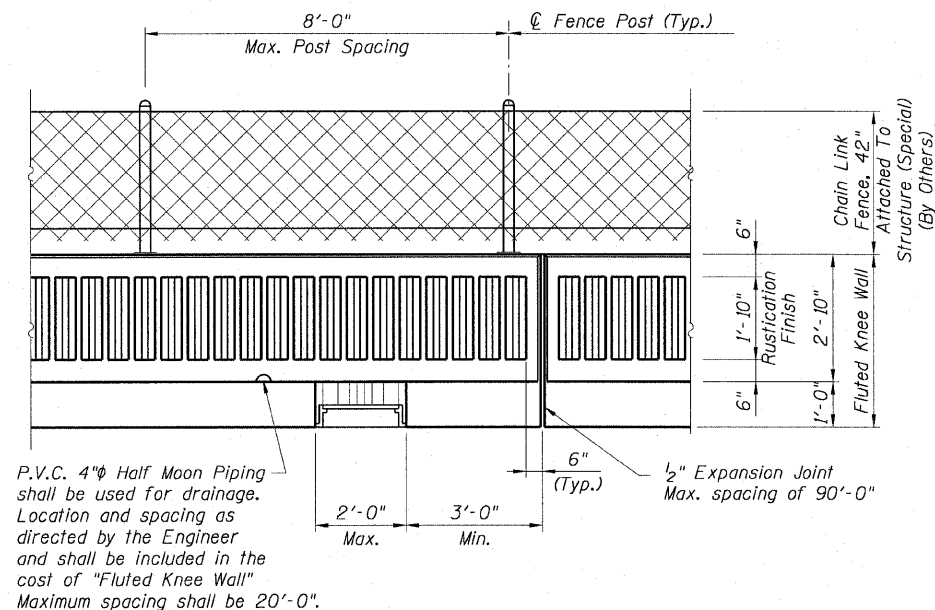


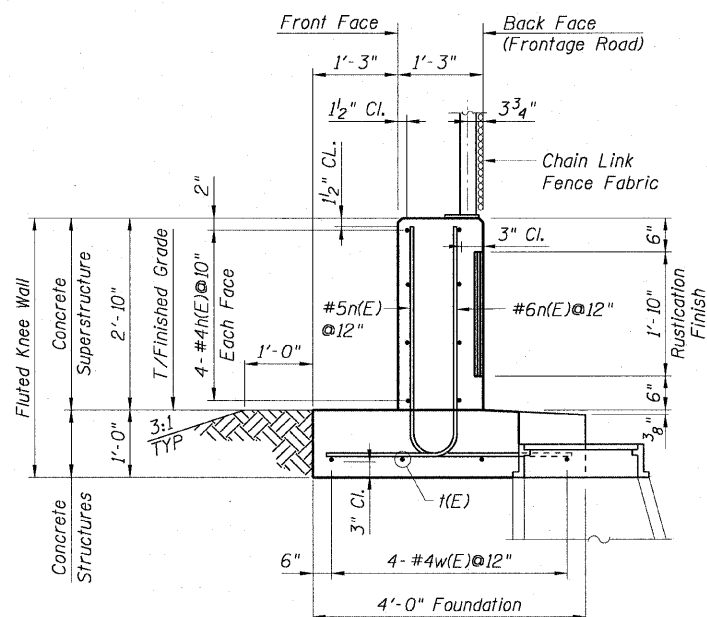
STATE OF ILLINOIS
DEPARTMENT OF TRANSPORTATION

F.A.I. RTE.	SECTION	COUNTY	TOTAL SHEETS	SHEET NO.
90/94		COOK	31	27
STA.	TO STA.			
FED. ROAD DIST. NO. 1	ILLINOIS	FED. AID PROJECT		
*1618, 1919, 1919.15			1-12	

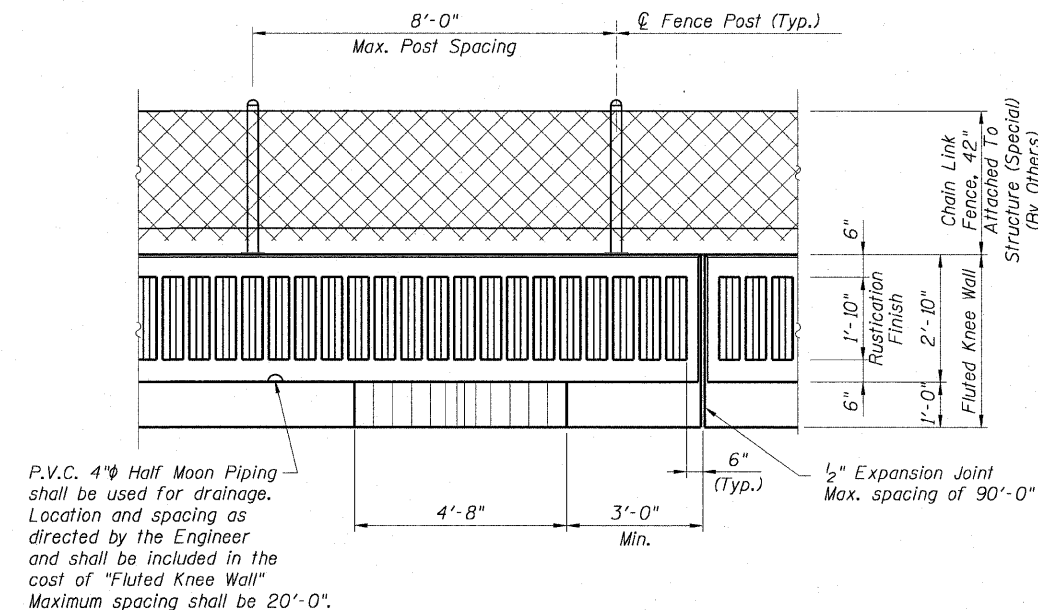
62984



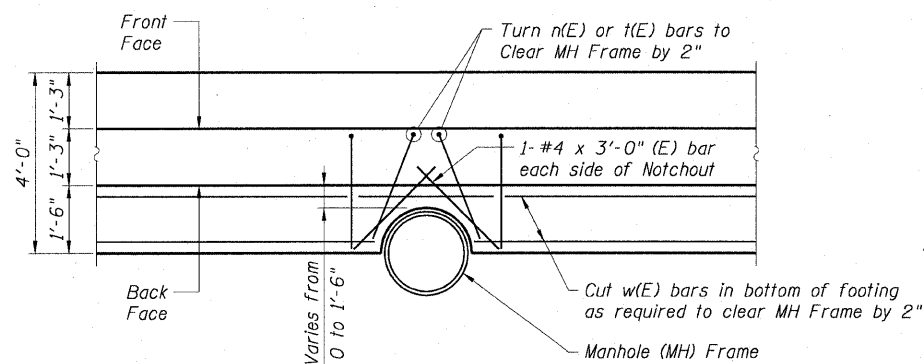
BACK FACE ELEVATION



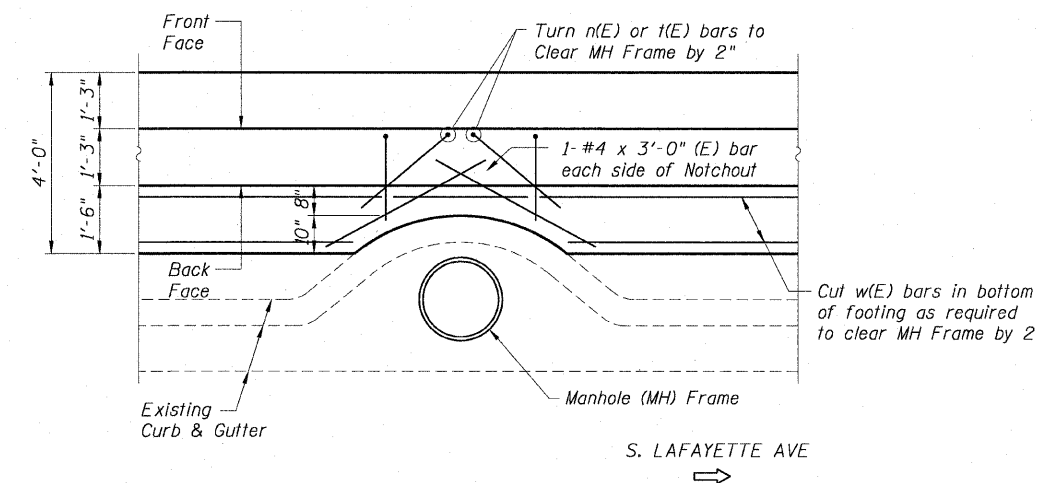
TYPICAL SECTION AT NOTCH OUT



BACK FACE ELEVATION



PARTIAL PLAN
TYPICAL NOTCH OUT DETAILS AT MANHOLE FRAMES



PARTIAL PLAN
TYPICAL DETAIL AT CURB & GUTTER OFFSET

NOTE:

The cost of furnishing and installing the additional #4 bars in the bottom of the footing at notch outs are included with the cost of "FLUTED KNEE WALL".

AECOM

REVISIONS	
NAME	DATE

ILLINOIS DEPARTMENT OF TRANSPORTATION
F.A.I. 90/94 (DAN RYAN EXPRESSWAY)
71ST ST TO 63RD ST (SOUTHBOUND KNEE WALLS)
FLUTED KNEE NOTCH OUT DETAILS

SCALE: None
DATE: JANUARY 14, 2009
DRAWN BY: CHD
CHECKED BY: MJP

Sheet S4 of 4

1/13/2009 2:23:32 PM