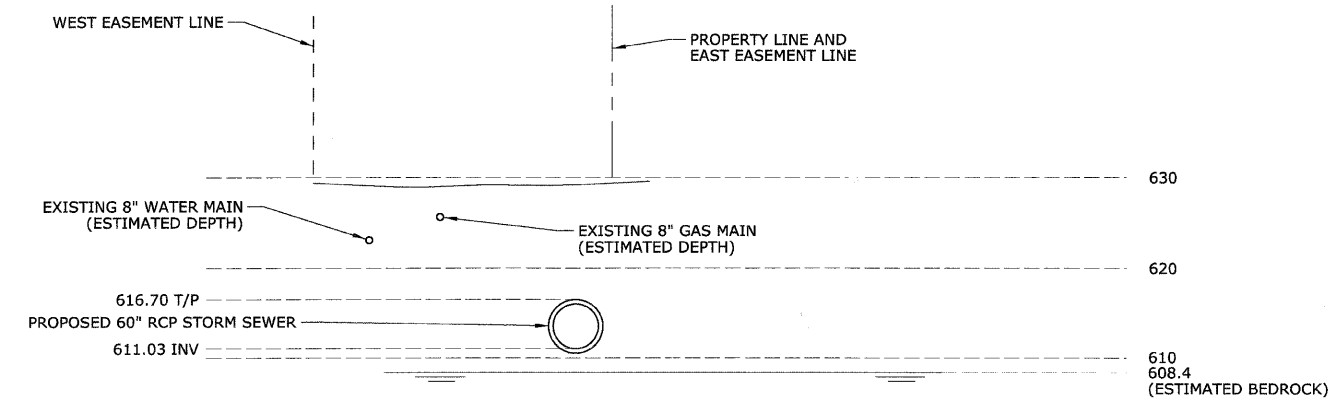
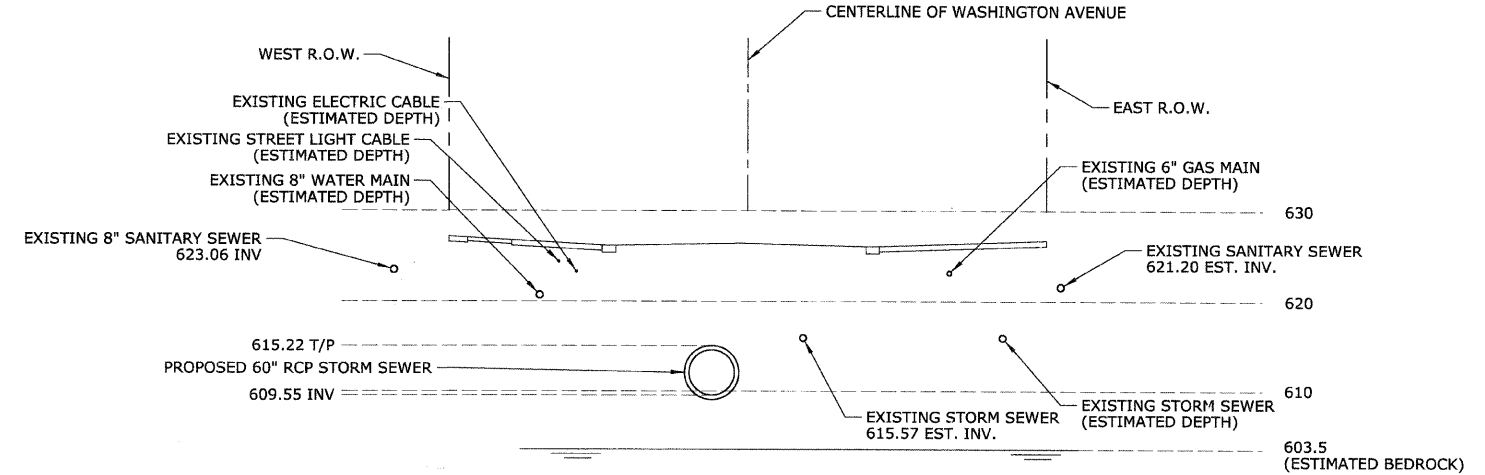


CONTRACT No. 63149

PLAN	DESIGNED	DATE
	PLOTTED	
	CHECKED	
	NO. 1	
	NO. 2	
	NO. 3	

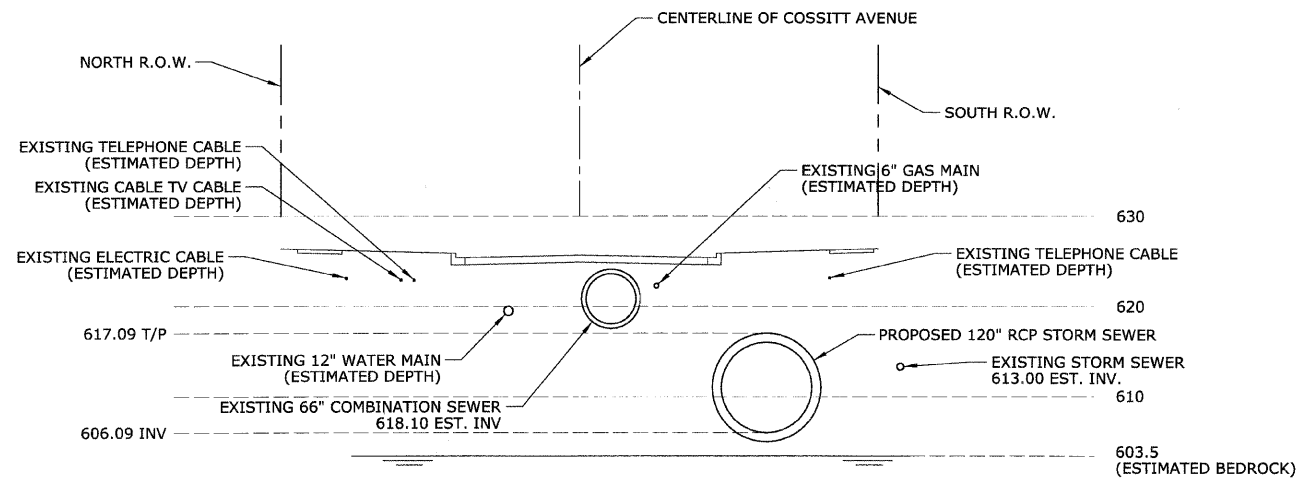


**SECTION DETAIL 76+50
(LOOKING NORTH)**



**SECTION DETAIL 80+00
(LOOKING NORTH)**

PROFILE	DESIGNED	DATE
	PLOTTED	
	CHECKED	
	NO. 1	
	NO. 2	
	NO. 3	



**SECTION DETAIL 92+00
(LOOKING EAST)**

REVISIONS	
NAME	DATE

ILLINOIS DEPARTMENT OF TRANSPORTATION
**BLUFF AVENUE IMPROVEMENTS
 STAGE 2**

SEWER OUTLET CROSS-SECTION

SCALE: NTS
 DATE 02/27/2009

DRAWN BY H&A
 CHECKED BY PFH