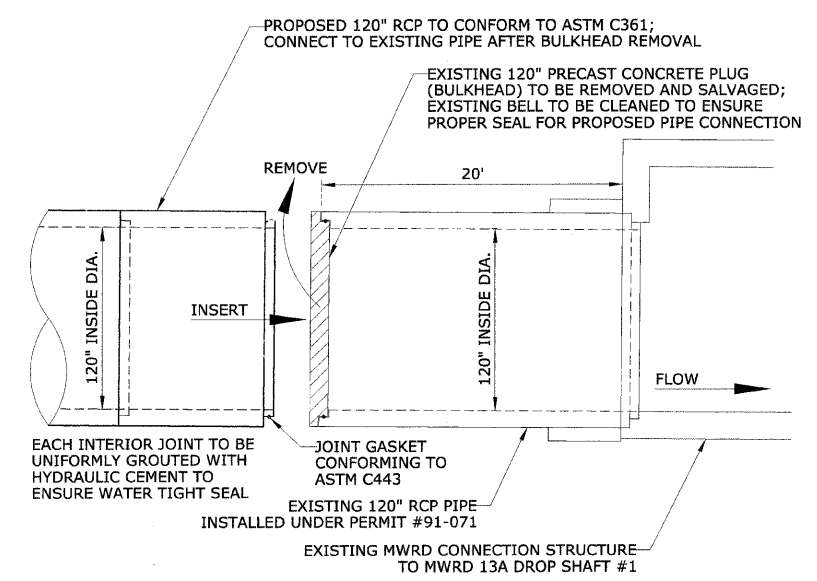
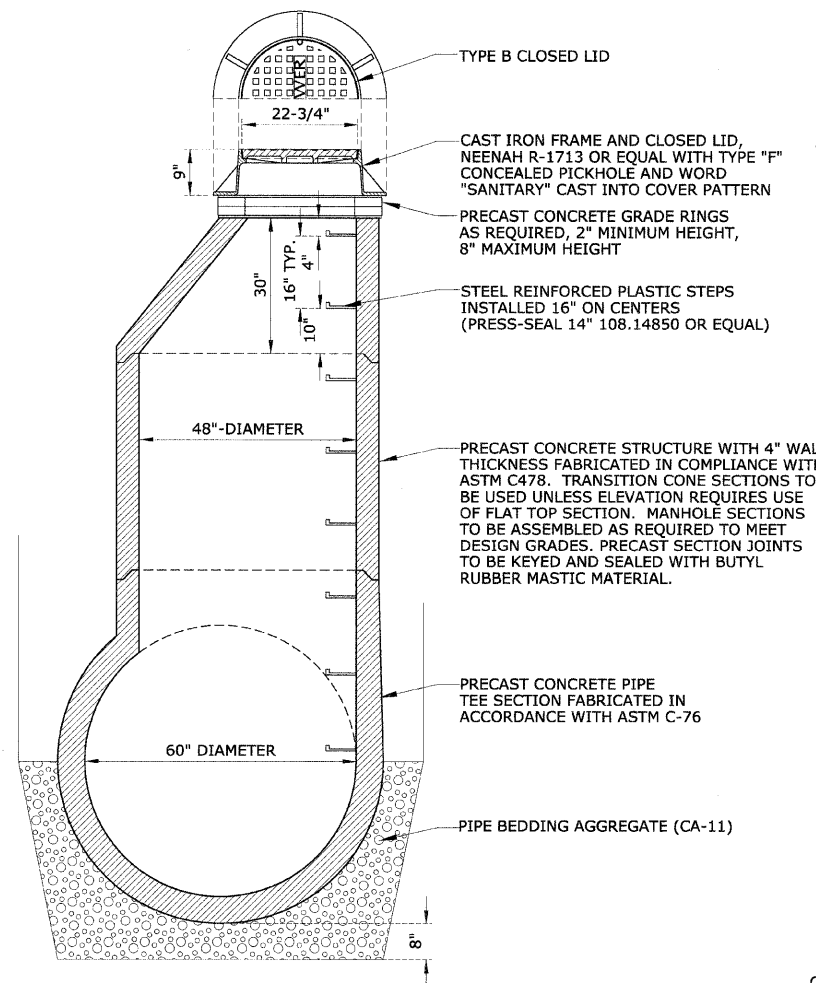


PLAN
 REVISIONS
 DATE
 BY
 CHECKED
 DATE
 NO.
 NO.

PROFILE
 REVISIONS
 DATE
 BY
 CHECKED
 DATE
 NO.
 NO.

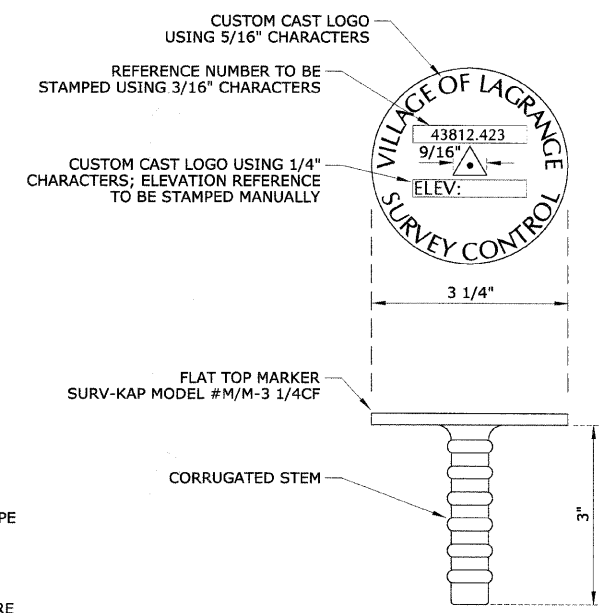


EXISTING PRECAST PLUG (BULKHEAD) REMOVAL AND 120" CONNECTION TO EXISTING 120" RCP

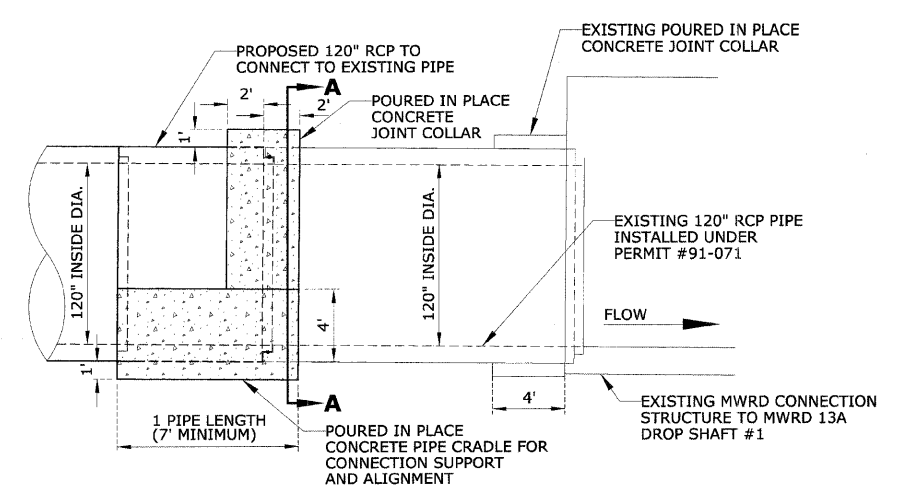


PRECAST "T" MANHOLE FOR 60" SEWER WITH TYPE 1 FRAME AND CLOSED LID

SURVEY MARKER DATA		
SHEET NUMBER	BLOCK LOCATION	STAMPED REFERENCE NUMBER
19	4-418	43812-418
22	4-405	43812-405

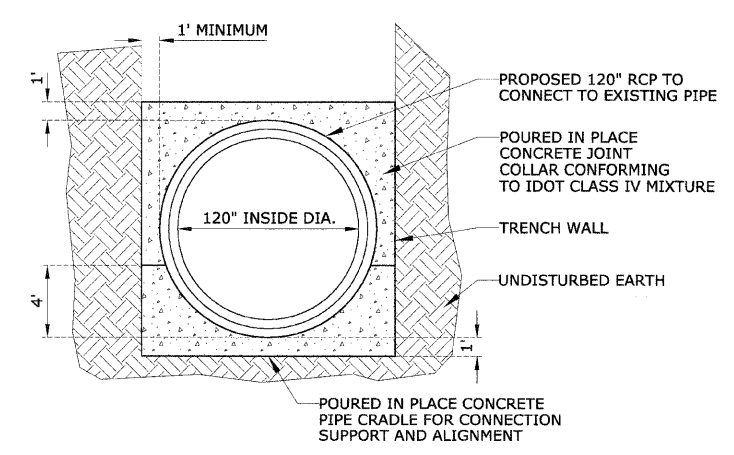


PERMANENT SURVEY MARKER



ELEVATION VIEW

120" CONNECTION TO EXISTING 120" RCP WITH PIPE CRADLE AND JOINT COLLAR



SECTION A - A

REVISIONS	
NAME	DATE

ILLINOIS DEPARTMENT OF TRANSPORTATION
BLUFF AVENUE IMPROVEMENTS STAGE 2
CONSTRUCTION DETAILS - SPECIAL
 SCALE: NTS
 DATE 02/27/2009
 DRAWN BY H&A
 CHECKED BY PFH