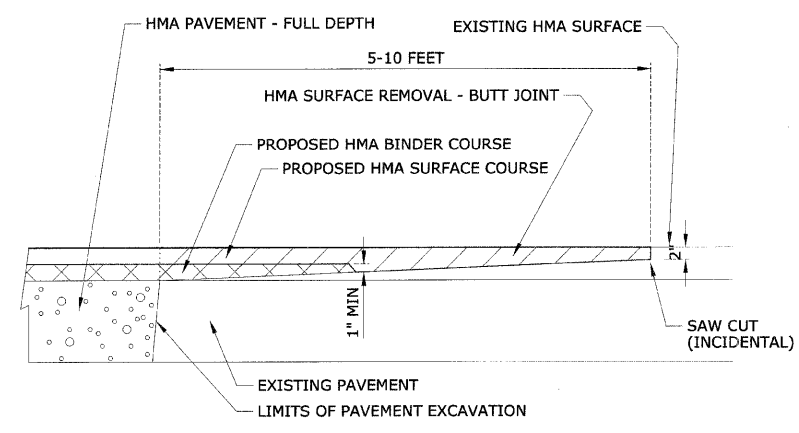
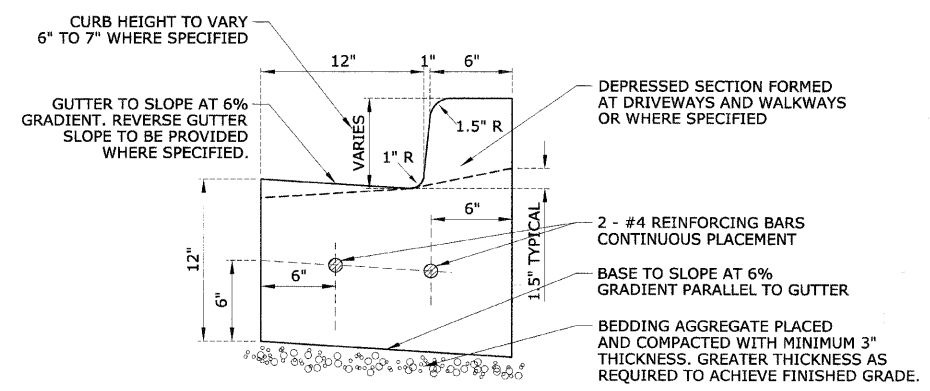


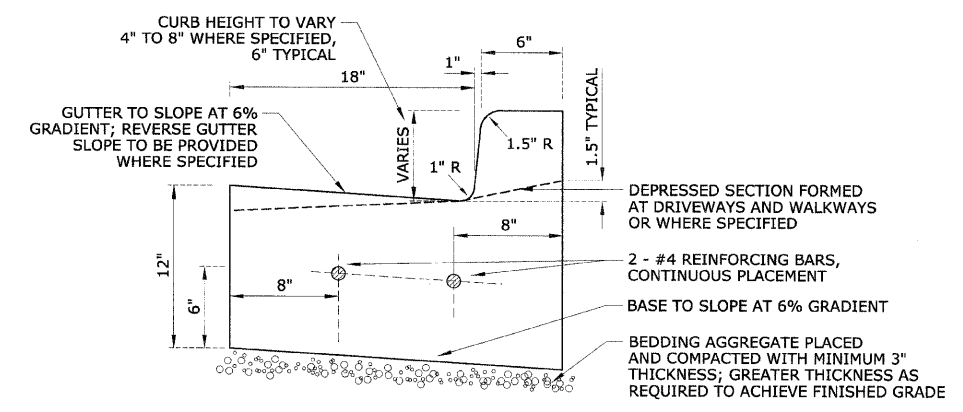
DATE	
BY	
REVISIONS	
NOTED	
NO. 1	
NO. 2	
NO. 3	
NO. 4	
NO. 5	
NO. 6	
NO. 7	
NO. 8	
NO. 9	
NO. 10	
NO. 11	
NO. 12	
NO. 13	
NO. 14	
NO. 15	
NO. 16	
NO. 17	
NO. 18	
NO. 19	
NO. 20	
NO. 21	
NO. 22	
NO. 23	
NO. 24	
NO. 25	
NO. 26	
NO. 27	
NO. 28	
NO. 29	
NO. 30	



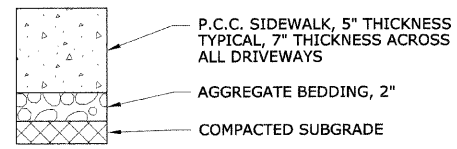
BUTT JOINT DETAIL



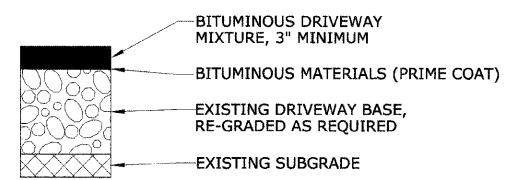
COMBINATION CONCRETE CURB AND GUTTER, TYPE B-6.12 WITH STANDARD GUTTER GRADIENT



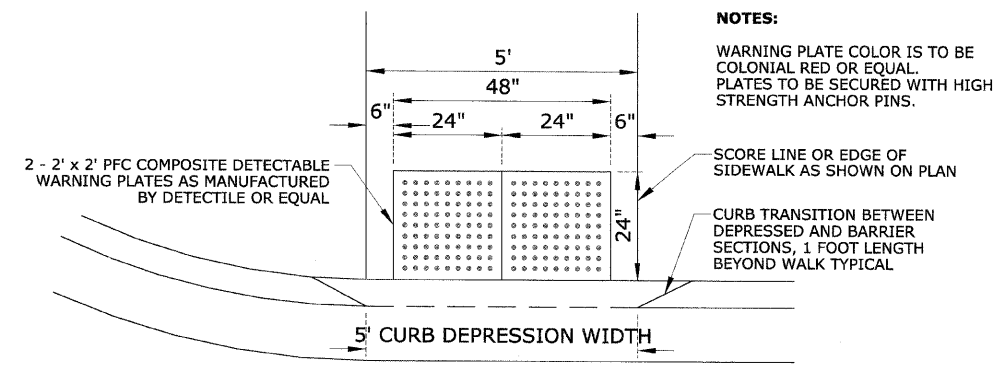
COMBINATION CONCRETE CURB AND GUTTER, TYPE B-6.18



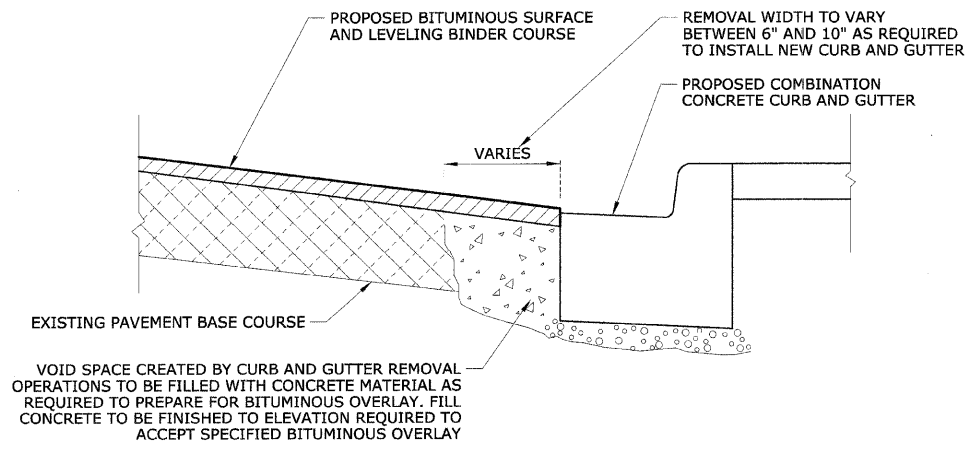
P.C.C. SIDEWALK



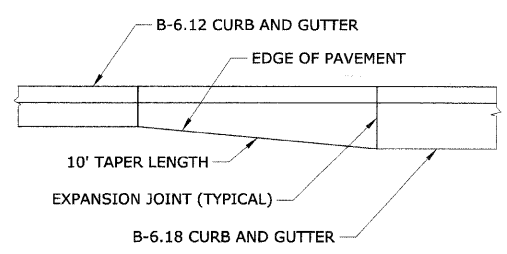
BITUMINOUS DRIVEWAY TRANSITION (CLASS C PATCH, 3\"/>



HANDICAP RAMP WITH DETECTABLE WARNINGS



CONCRETE FILLET DETAIL



TRANSITION LENGTH FROM B-6.12 TO B-6.18 CURB AND GUTTER

NOTE:
THIS ITEM IS TO BE PAID FOR UNDER THE PAY ITEM FOR COMBINATION CONCRETE CURB AND GUTTER, TYPE B-6.18.

REVISIONS	
NAME	DATE

ILLINOIS DEPARTMENT OF TRANSPORTATION
BLUFF AVENUE IMPROVEMENTS STAGE 2
CONSTRUCTION DETAILS - SPECIAL
SCALE: NTS DRAWN BY H&A
DATE 02/27/2009 CHECKED BY PFH