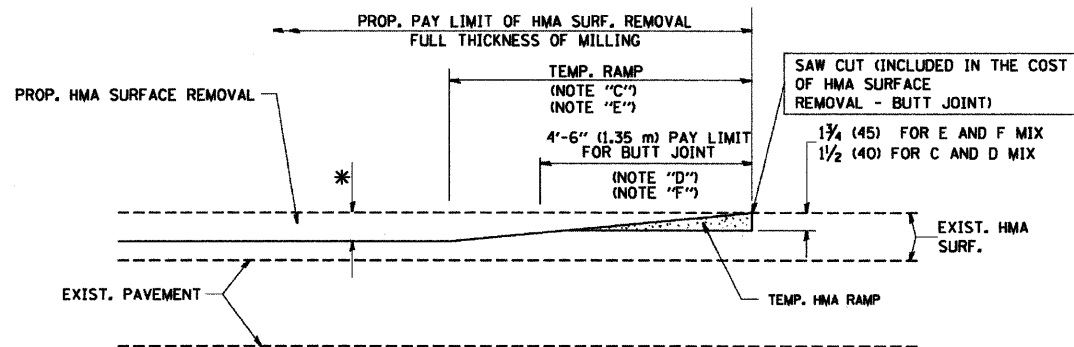


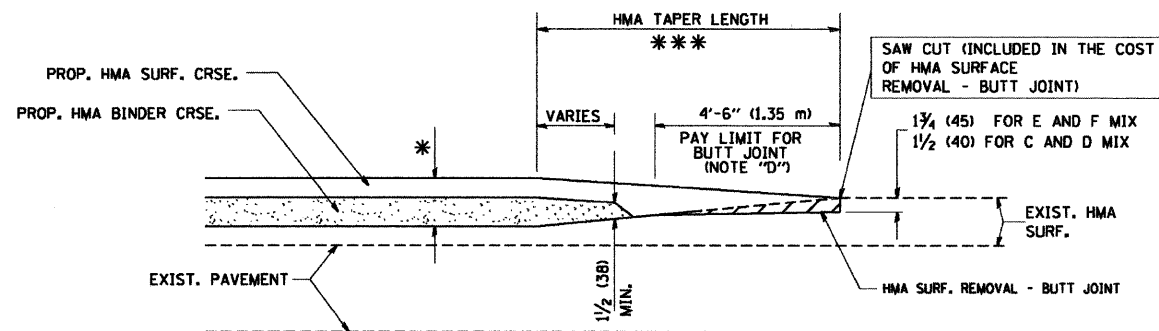
MILLED TEMPORARY RAMP
(FOR BUTT JOINT AND HMA TAPER SEE DETAIL BELOW)

OPTION 1

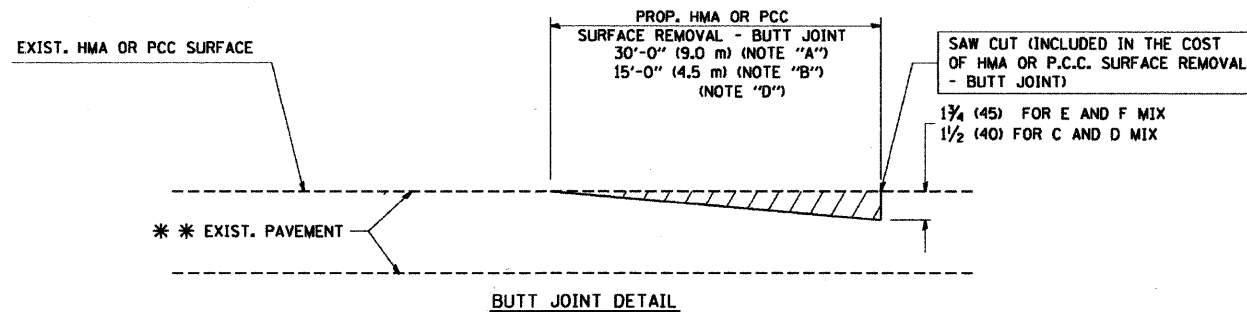


HMA CONSTRUCTED TEMPORARY RAMP
(FOR BUTT JOINT AND HMA TAPER SEE DETAIL BELOW)

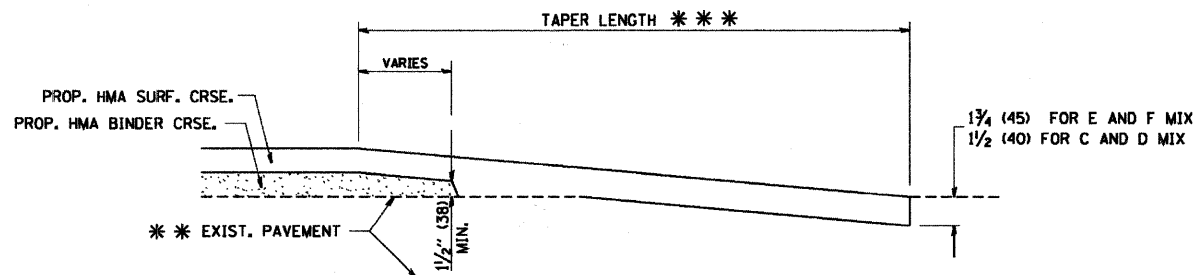
OPTION 2
TYPICAL TEMPORARY RAMP



**TYPICAL BUTT JOINT AND HMA TAPER
FOR MILLING AND RESURFACING**



BUTT JOINT DETAIL



HMA TAPER DETAIL

**TYPICAL BUTT JOINT AND HMA TAPER
FOR RESURFACING ONLY**

*** PC CONCRETE, HMA OR HMA RESURFACED PAVEMENT.

NOTES

- A: MAINLINE ROADWAYS AND MAJOR SIDE ROADS.
 - B: MINOR SIDE ROADS.
 - C: THE TEMP. RAMP SHALL BE CONSTRUCTED IMMEDIATELY UPON REMOVAL OF THE EXISTING HMA SURFACE.
 - D: THE BUTT JOINT SHALL BE CONSTRUCTED IMMEDIATELY PRIOR TO PLACING THE PROPOSED HMA COURSES.
 - E: TAPER THE TEMP. RAMP AT A RATE OF 3'-0" (900 mm) PER 1 INCH (25 mm) OF MILLING THICKNESS.
 - F: INSTALLATION AND REMOVAL OF THE 4'-6" (1.35 m) TEMP. RAMP IS INCLUDED IN COST OF HMA SURFACE REMOVAL - BUTT JOINT
 - G: SEE ARTICLE 406.08 AND 406.14 OF THE STANDARD SPECIFICATIONS FOR "HMA AND/OR PCC SURFACE REMOVAL, BUTT JOINT".
- * SEE TYPICAL SECTIONS FOR MILLING THICKNESS.
- *** 20'-0" (6.1 m) PER 1 (25) RESURFACING (NOTE "A")
10'-0" (3.0 m) PER 1 (25) RESURFACING (NOTE "B")

BASIS OF PAYMENT:

THE BUTT JOINT WILL BE PAID FOR AT THE CONTRACT UNIT PRICE PER SQUARE YARD (SQUARE METER) FOR "HOT-MIX ASPHALT SURFACE REMOVAL - BUTT JOINT" OR FOR "PORTLAND CEMENT CONCRETE SURFACE REMOVAL - BUTT JOINT".

ALL DIMENSIONS ARE IN INCHES (MILLIMETERS) UNLESS OTHERWISE SHOWN.

FILE NAME = W:\dststd\22x34\bd32.dgn	USER NAME = gaglianobt	DESIGNED - M. DE YONG	REVISED - R. SHAH 10-25-94
PLOT SCALE = 58.0000' / IN.	DRAWN - BVS	CHECKED - P.J.G.	REVISED - A. ABBAS 03-21-97
PLOT DATE = 1/4/2008	DATE - 06-13-90		REVISED - M. GOMEZ 04-06-01
			REVISED - R. BORO 01-01-07

**STATE OF ILLINOIS
DEPARTMENT OF TRANSPORTATION**

**BUTT JOINT AND
HMA TAPER DETAILS**

SCALE: NONE	SHEET NO. 1 OF 1 SHEETS	STA. TO STA.	F.A.U. RTE.	SECTION	COUNTY	TOTAL SHEETS	SHEET NO.	
			BD400-05	BD32				
			CONTRACT NO.					
			FED. ROAD DIST. NO. 1 ILLINOIS FED. AID PROJECT					

FILE NAME = 9434-008_Overlook.dwg	USER NAME =	DESIGNED - BVS	REVISED - 5/18/09 PER IDOT COMMENTS
	PLOT SCALE = N.T.S.	DRAWN - BVS	REVISED - 5/28/09 PER IDOT COMMENTS
	PLOT DATE = 4/7/09	CHECKED - P.J.G.	
		DATE - 4/7/09	

**OVERLOOK DRIVE
RESURFACING PROGRAM**

DETAILS

SCALE: NONE	SHEET NO. 6 OF 6 SHEETS	STA. TO STA.	F.A.U. RTE.	SECTION	COUNTY	TOTAL SHEETS	SHEET NO.	
			I311	09-00006-00-RS	COOK	6	6	
			CONTRACT NO. 63191					
			ILLINOIS FED. AID PROJECT					