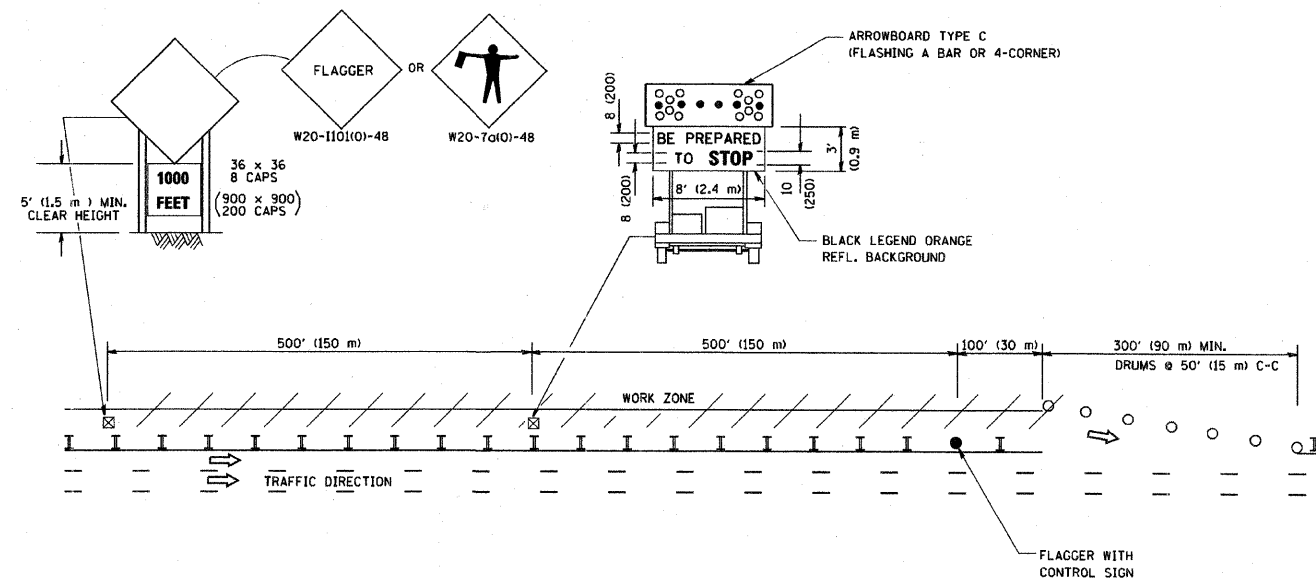


FAU RTE	SECTION	COUNTY	TOTAL SHEETS	SHEET NO.
VARIOUS	09-00016-00-RS	COOK	18	15
F.H.W.A. REG.	ILLINOIS	PROJECT	HPP-3461(002)	

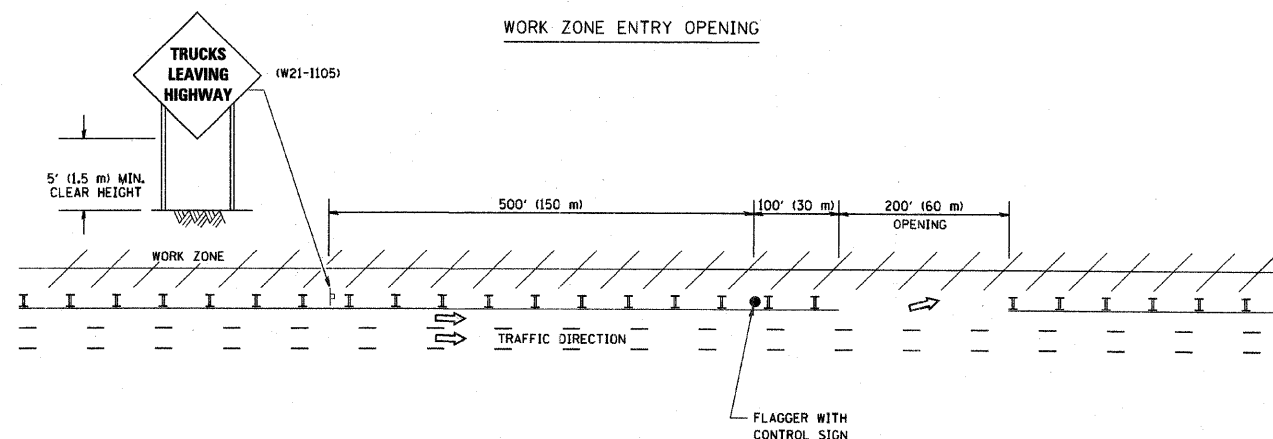
CONTRACT NO. 63204

SIGNING FOR FLAGGING OPERATIONS AT WORK ZONE OPENINGS

WORK ZONE EXIT OPENING



WORK ZONE ENTRY OPENING



NOTES:

1. The Arrowboard, the Flagger Ahead trailer mounted sign, and the Trucks Leaving Highway sign shall be removed or turned away from traffic and the exit and entry openings shall be closed when the flagging operation ceases.
2. Work Zone Exit Openings should be a minimum of one half mile apart.
3. Exiting the work zone at any place other than at a Work Zone Exit Opening will be prohibited.
4. All vehicles shall enter the work zone at entry openings, using their turn signals to warn motorists

ALL DIMENSIONS ARE IN INCHES (MILLIMETERS) UNLESS OTHERWISE SHOWN

REVISIONS	
NO.	DATE
DWS	8/98
JAF	4/03
JAF	2/06
SPB	1/07

ILLINOIS DEPARTMENT OF TRANSPORTATION
SIGNING FOR FLAGGING OPERATIONS AT WORK ZONE OPENINGS

SCALE: NONE

DRAWN BY CADD
CHECKED BY TC-18

PLT DATE = 3/7/2007
PLT NAME = JAF
PLOT SCALE = 0.5000
USER NAME = boward

PROJECT VILLAGE OF HODGKINS, ILLINOIS
LAPP STREET RESURFACING
MFT SECTION NO. 09-00016-00-RS

REVISIONS			
NO.	BY	DATE	DESCRIPTION

SIGNING FOR FLAGGING OPERATIONS AT WORK ZONE OPENINGS

PROJECT NO. 09055	SCALE NONE	SHEET 15
DRAWN/DESIGNED JFP/JLC	DATE APR., 2009	OF 18
CHECKED/APPROVED JLC	FIELD BOOK NO. FILE	SHEETS