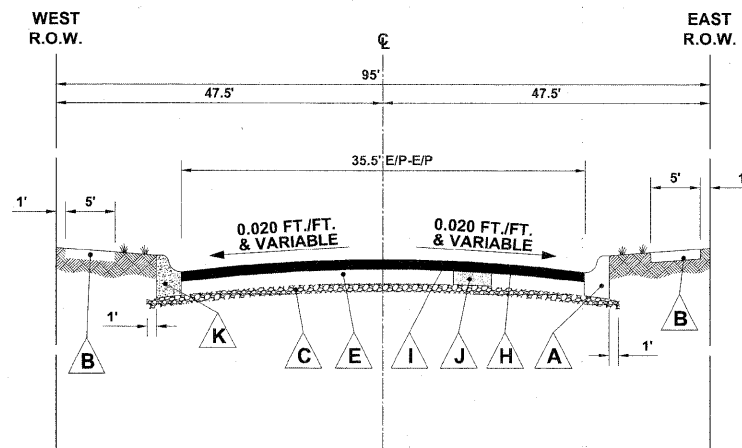


**EXISTING TYPICAL CROSS SECTION  
THATCHER AVENUE  
(STATION 0+00 TO STATION 1+15)**



**PROPOSED TYPICAL CROSS SECTION  
THATCHER AVENUE  
(STATION 0+00 TO STATION 1+15)**

**LEGEND OF SYMBOLS**

SYMBOL	DESCRIPTION
A	EXISTING COMBINATION CONCRETE CURB & GUTTER, TYPE B-6.12
B	EXISTING PORTLAND CEMENT CONCRETE SIDEWALK
C	EXISTING SUB-BASE GRANULAR MATERIAL, 4" AND VARIABLE
D	EXISTING HOT-MIX ASPHALT SURFACE COURSE, 2"
E	EXISTING CONCRETE BASE COURSE
F	PROPOSED HOT-MIX ASPHALT SURFACE REMOVAL, 2 1/2"
G	EXISTING HOT-MIX ASPHALT BINDER COURSE, 1" & VARIABLE
H	PROPOSED POLYMERIZED LEVELING BINDER (MACHINE METHOD), IL 4.75, N50, 1"
I	PROPOSED HOT-MIX ASPHALT SURFACE COURSE, MIX D, N50, 2"
J	PROPOSED CLASS D PATCHES, 10"
K	PROPOSED INTERMITTENT COMBINATION CONCRETE CURB & GUTTER REMOVAL & REPLACEMENT

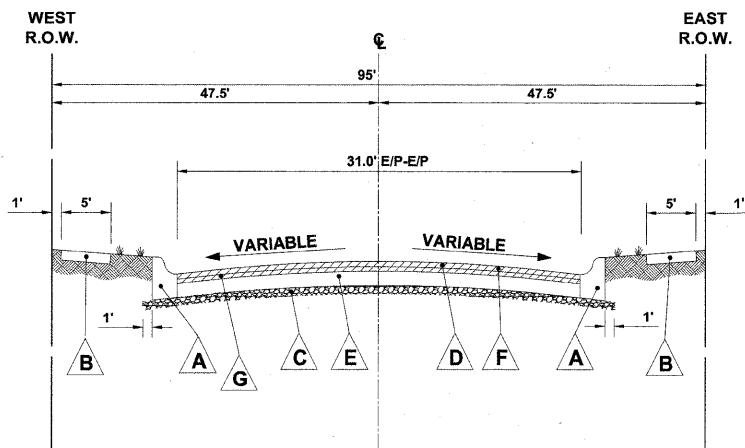
NOTE: PATCHING TO BE DONE AFTER PAVEMENT IS MILLED

**HOT-MIX ASPHALT (HMA) MIXTURE REQUIREMENTS**

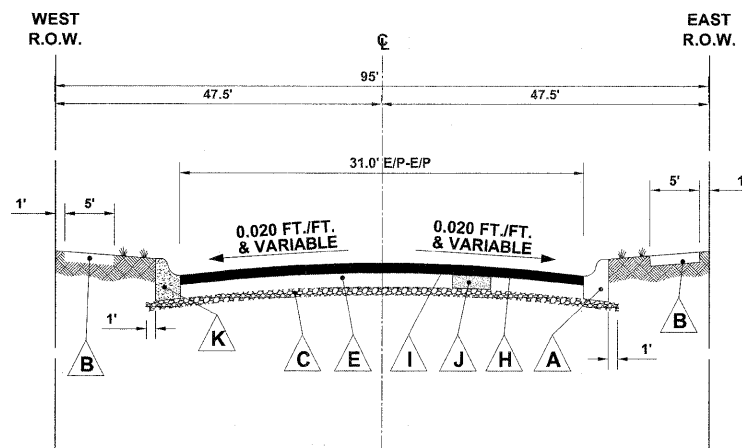
ITEM	A C TYPE	VOIDS
HOT-MIX ASPHALT SURFACE COURSE, MIX D, N50, (IL - 9.5 mm)	PG 64 -22	4% @ 50 GYR.
POLYMERIZED LEVELING BINDER (MACHINE METHOD), IL 4.75, N50	SBS/SBR PG 76 -28/ -22	4% @ 50 GYR.
CLASS D PATCHES (HMA BINDER, IL - 19 mm), 10"	PG 64 - 22 *	4% @ 70 GYR.

THE UNIT WEIGHT USED TO CALCULATE ALL HMA SURFACE COURSE IS 112 LBS/SQYD/IN.

\*WHEN RAP EXCEEDS 20%, THE NEW ASPHALT BINDER IN THE MIX SHALL BE PG 58.



**EXISTING TYPICAL CROSS SECTION  
THATCHER AVENUE  
(STATION 1+15 TO STATION 23+10)**



**PROPOSED TYPICAL CROSS SECTION  
THATCHER AVENUE  
(STATION 1+15 TO STATION 23+10)**

Drawing file: W:\Projects\74009075 - Thatcher Ave\TYPESEC.dwg Jun 02, 2009 - 11:03 am



9102 Riverfront Blvd  
Westchester, IL 60591-2700  
Phone: 708.944.0200  
Fax: 708.944.0202

USER NAME	DESIGNED	CH	REVISED
	DRAWN	MK	REVISED
PLOT SCALE	CHECKED	CH	REVISED
PLOT DATE	DATE	4-21-09	REVISED

**STATE OF ILLINOIS  
DEPARTMENT OF TRANSPORTATION**

**EXISTING AND PROPOSED  
TYPICAL CROSS SECTIONS**

SCALE: NONE SHEET NO. OF SHEETS STA. TO STA.

F.A.U. RTE.	SECTION	COUNTY	TOTAL SHEETS	SHEET NO.
2753	09-00089-00-RS	COOK	15	5
CONTRACT NO. 63215			ILLINOIS FED. AID PROJECT ARA-9003(349)	

E.H.E. PROJECT NO. 740-09-07501