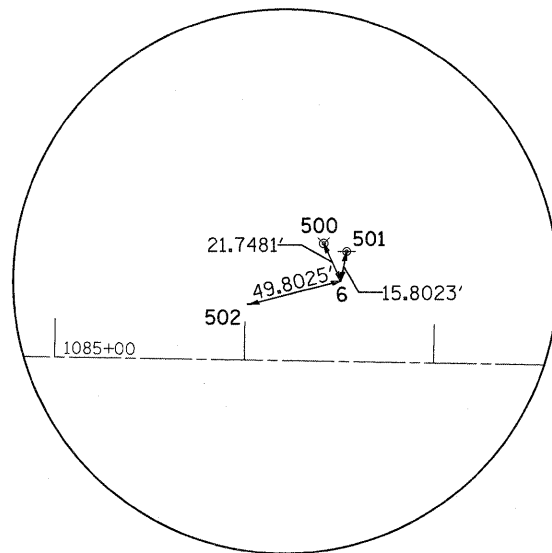
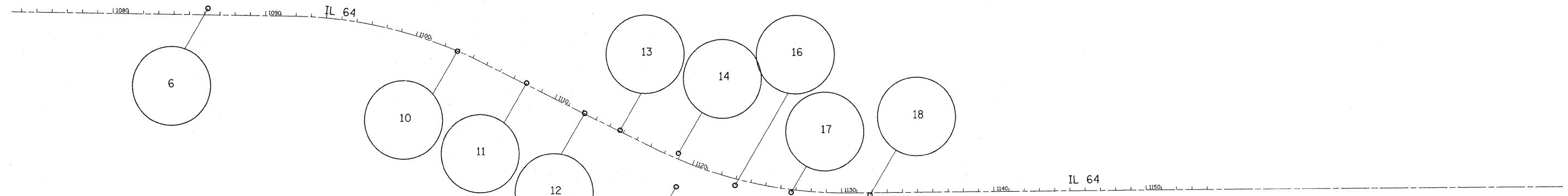
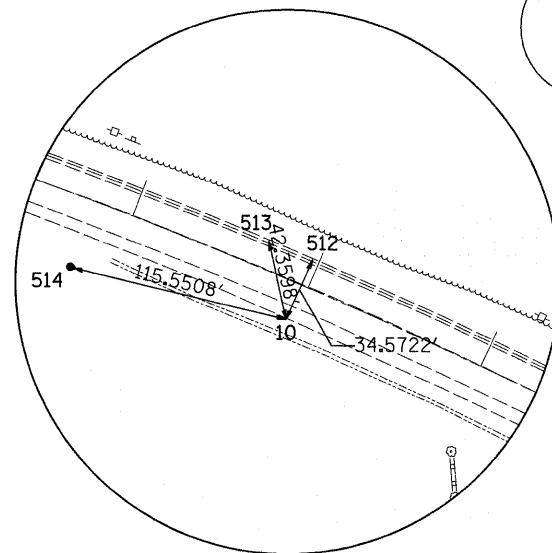


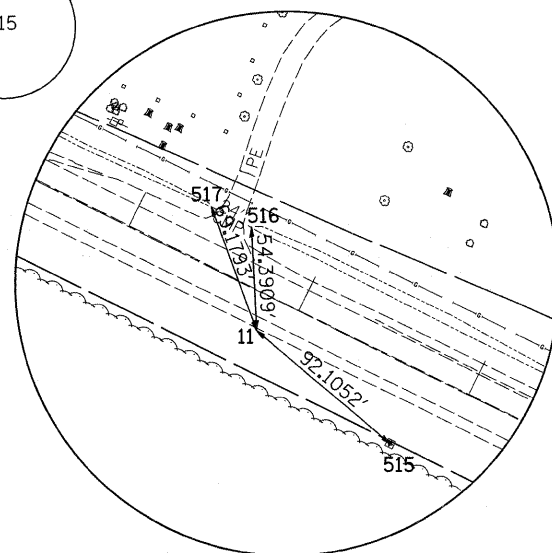
HORIZONTAL & VERTICAL CONTROL



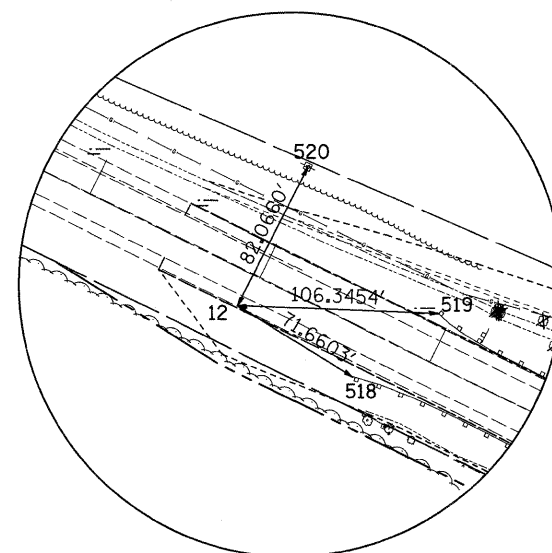
HORIZONTAL CONTROL POINT NO. 6



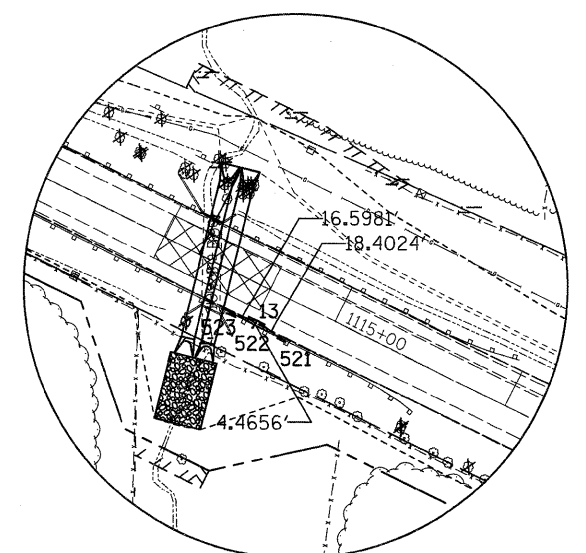
HORIZONTAL CONTROL POINT NO. 10



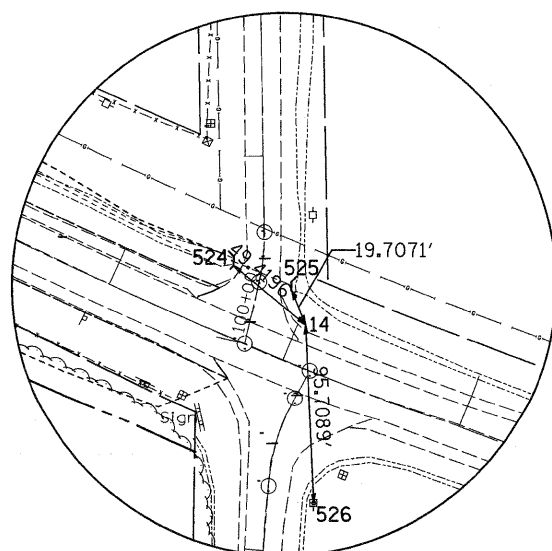
HORIZONTAL CONTROL POINT NO. 11



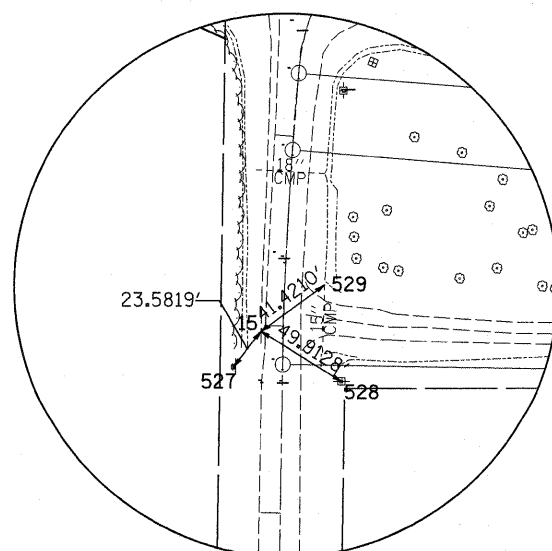
HORIZONTAL CONTROL POINT NO. 12



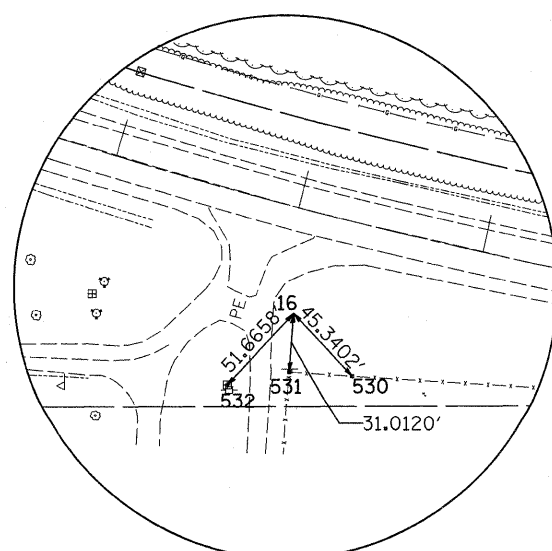
HORIZONTAL CONTROL POINT NO. 13



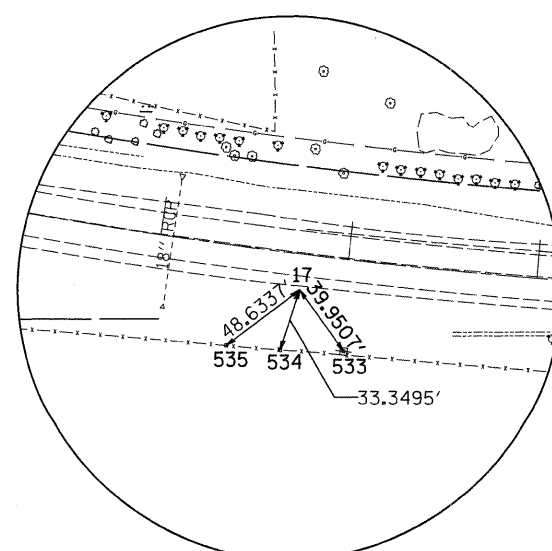
HORIZONTAL CONTROL POINT NO. 14



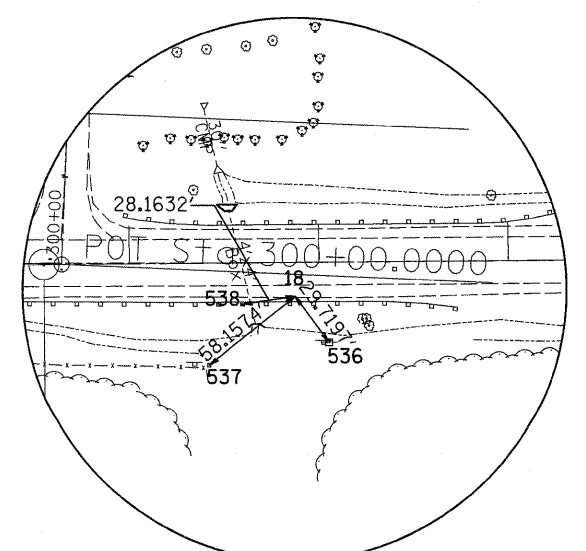
HORIZONTAL CONTROL POINT NO. 15



HORIZONTAL CONTROL POINT NO. 16



HORIZONTAL CONTROL POINT NO. 17



HORIZONTAL CONTROL POINT NO. 18

| | | | | | | | | | | | | | |
|--|--------------------|------------|-----------|---|--|-------------------------|------|-------------|---------|--------|--------------|-----------|----|
| FILE NAME = | USER NAME = goffjl | DESIGNED - | REVISED - | STATE OF ILLINOIS DEPARTMENT OF TRANSPORTATION | HORIZONTAL & VERTICAL CONTROL | | | F.A.P. RTE. | SECTION | COUNTY | TOTAL SHEETS | SHEET NO. | |
| cr:\pw_work\pwidot\goffjl\dms41990\vd08708\hvo.dgn | | DRAWN - | REVISED - | | SCALE: | SHEET NO. 3 OF 4 SHEETS | STA. | TO STA. | 17 | 110T-4 | OGLE | 40 | 17 |
| | | CHECKED - | REVISED - | | | | | | | | | | |
| | | DATE - | REVISED - | | | | | | | | | | |

ILLINOIS FED. AID PROJECT CONTRACT NO. 64E32