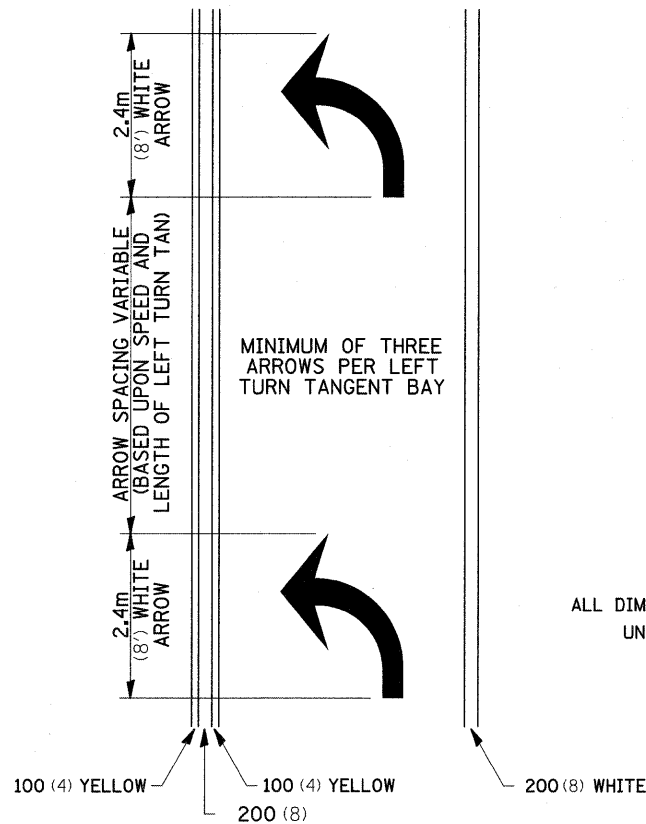


TYPICAL PAVEMENT MARKINGS

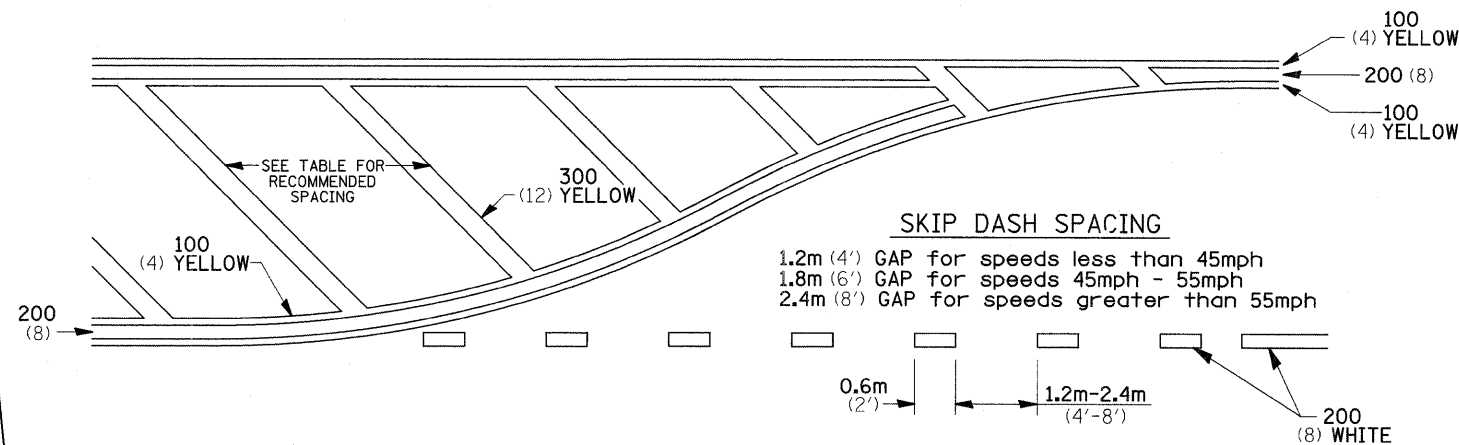
ARROW LAYOUT



- ▲ ONE-WAY AMBER MARKER
- △ ONE-WAY CRYSTAL MARKER
- ◆ TWO-WAY AMBER MARKER

ALL DIMENSIONS ARE IN MILLIMETERS (INCHES) UNLESS OTHERWISE NOTED.

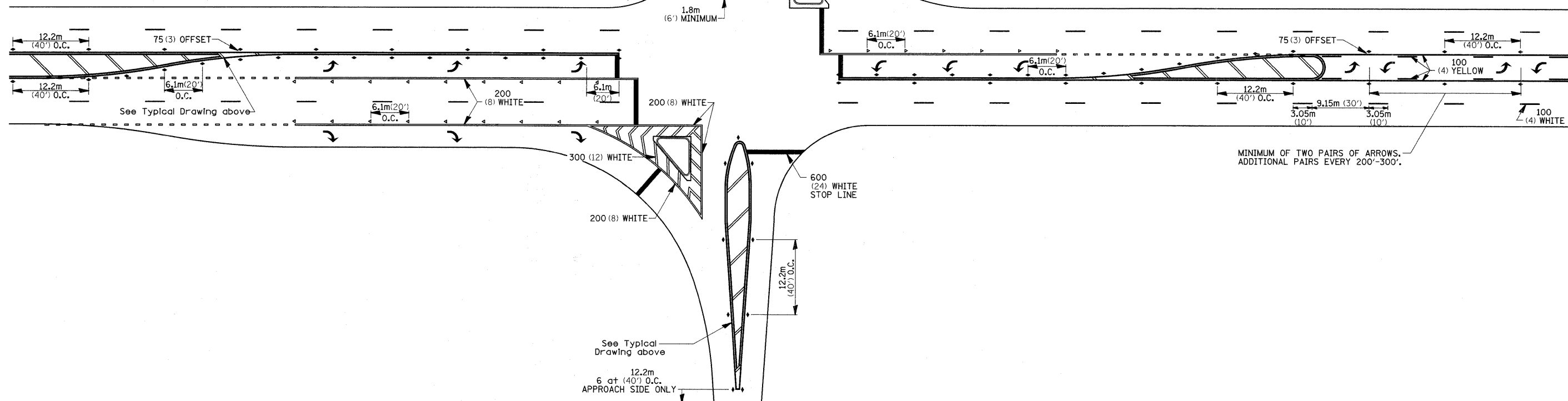
TYPICAL PAVEMENT MARKING FOR FLUSH MEDIAN



RECOMMENDED SPACING BETWEEN DIAGONALS (IN FEET)

Speed Limit Range	Continuous Median Area	Intersection Channelization	Objects (Islands)
less than 50km/H (30MPH)	15.3m (50')	4.53m (15')	3.05m (10')
50-60km/H (30-40MPH)	22.9m (75')	6.1m (20')	4.53m (15')
70km/H (45MPH) & over	22.9m (75')	9.05m (30')	6.1m (20')

NOTE: If the spacing recommended in the Table does not permit at least five diagonal lines in the area being marked, the spacing from the next lowest speed range should be used. The recommended spacing is measured parallel to the pavement center line.



FILE NAME =	USER NAME = goff jl	DESIGNED -	REVISED - 10-21-08	STATE OF ILLINOIS DEPARTMENT OF TRANSPORTATION	REGION 2 / DISTRICT 2 STANDARD	F.A.P. RTE.	SECTION	COUNTY	TOTAL SHEETS	SHEET NO.
cr:\pwork\pwork\goff jl\dms41990\088708apl.dgn	DRAWN -	REVISED -	17			110T-4	OGLE	40	30	
PLOT SCALE = 50.0000' / IN.	CHECKED -	REVISED -	CONTRACT NO. 64E32							
PLOT DATE = Tue Apr 14 14:53:28 2009	DATE -	REVISED -	FED. ROAD DIST. NO. ILLINOIS FED. AID PROJECT							