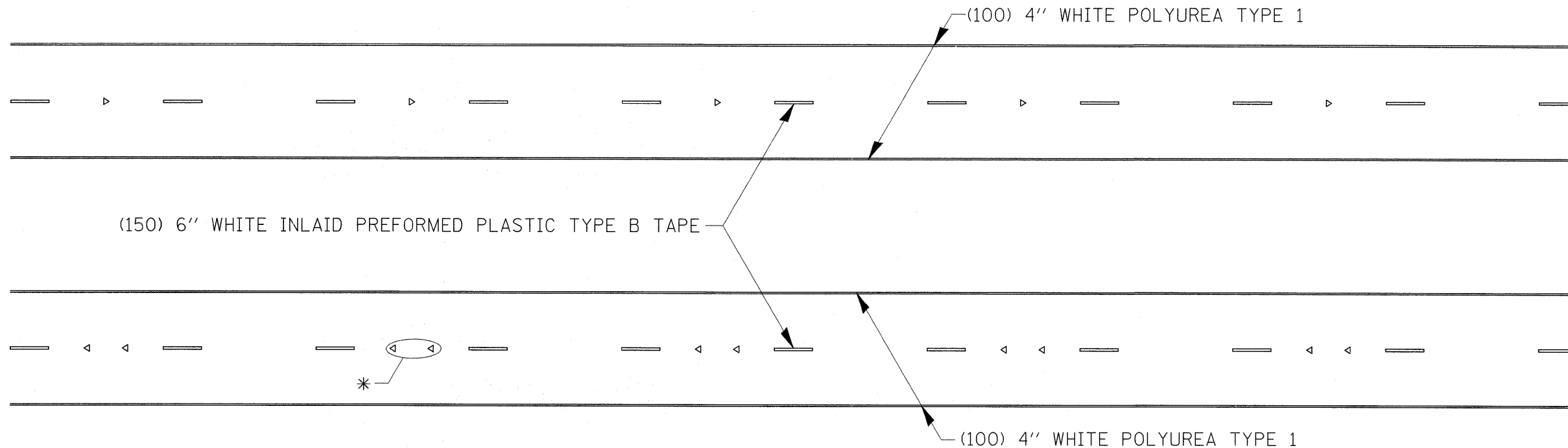
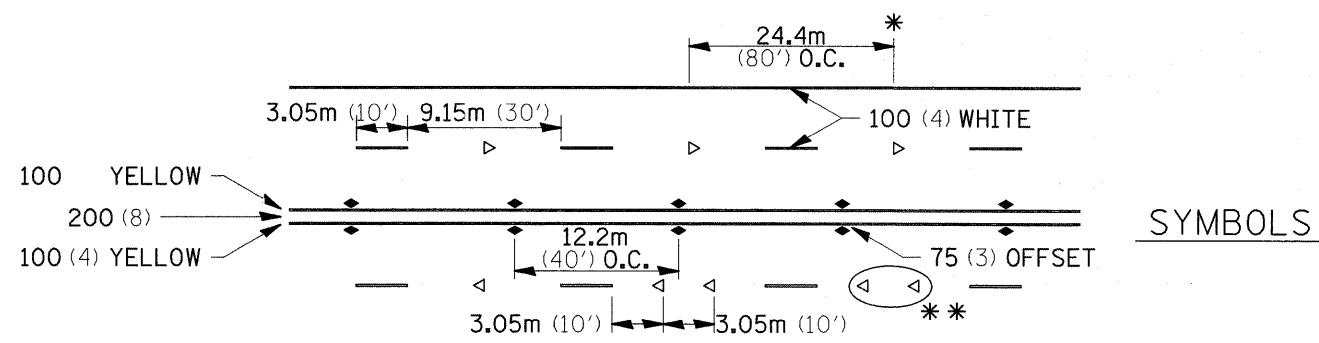


TYPICAL PAVEMENT MARKINGS



* SEE HIGHWAY STANDARD 781001 FOR SPACING DETAILS.
USE DOUBLE MARKERS WHEN ADT \geq 25,000.

MULTI-LANE / DIVIDED

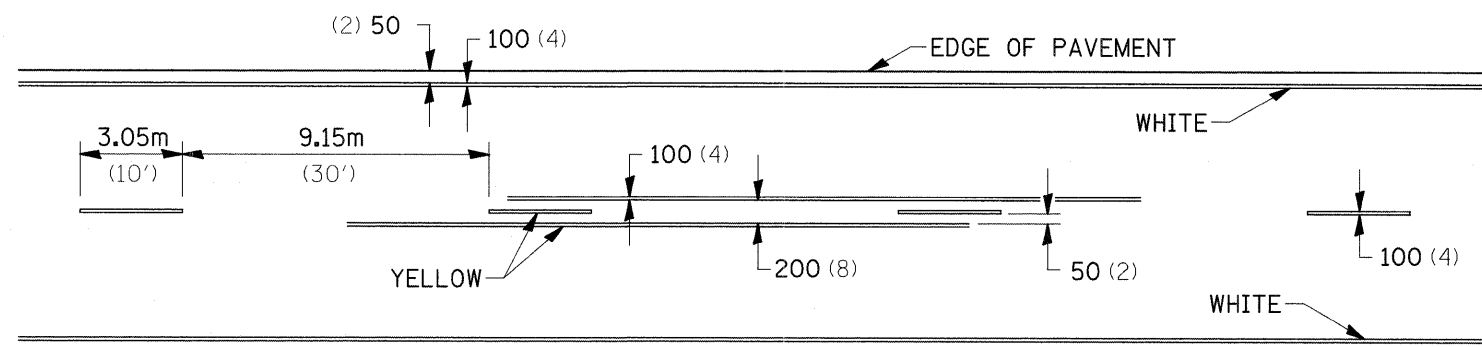


* REDUCE TO 12.2m (40') O.C. ON CURVES WHERE ADVISORY SPEEDS ARE 15Km/H (10MPH) LOWER THAN POSTED SPEEDS.

** USE DOUBLE MARKERS WHEN ADT \geq 25,000

MULTI-LANE / UNDIVIDED

TYPICAL PAVEMENT MARKING FOR TWO LANE SECTION - NO PASSING ZONES



SYMBOLS

FILE NAME =	USER NAME = goff jl	DESIGNED -	REVISED - 10-21-08	STATE OF ILLINOIS DEPARTMENT OF TRANSPORTATION	REGION 2 / DISTRICT 2 STANDARD			F.A.P. RTE.	SECTION	COUNTY	TOTAL SHEETS	SHEET NO.
os\pwork\pwsdot\goff jl\dms41990\d00708apl.dgn	DRAWN -	REVISED -	17					110T-4	OGLE	40	31	
PLOT SCALE = 50.0000' / IN.	CHECKED -	REVISED -	SCALE: SHEET NO. OF SHEETS STA. TO STA.				FED. ROAD DIST. NO. ILLINOIS FED. AID PROJECT		CONTRACT NO. 64E32			
PLOT DATE = Tue Apr 14 14:53:28 2009	DATE -	REVISED -										